

Cowl extension VBO 2

Intended use

Cowl extension (part no. 70131-00) for boiler series 2 and 3.

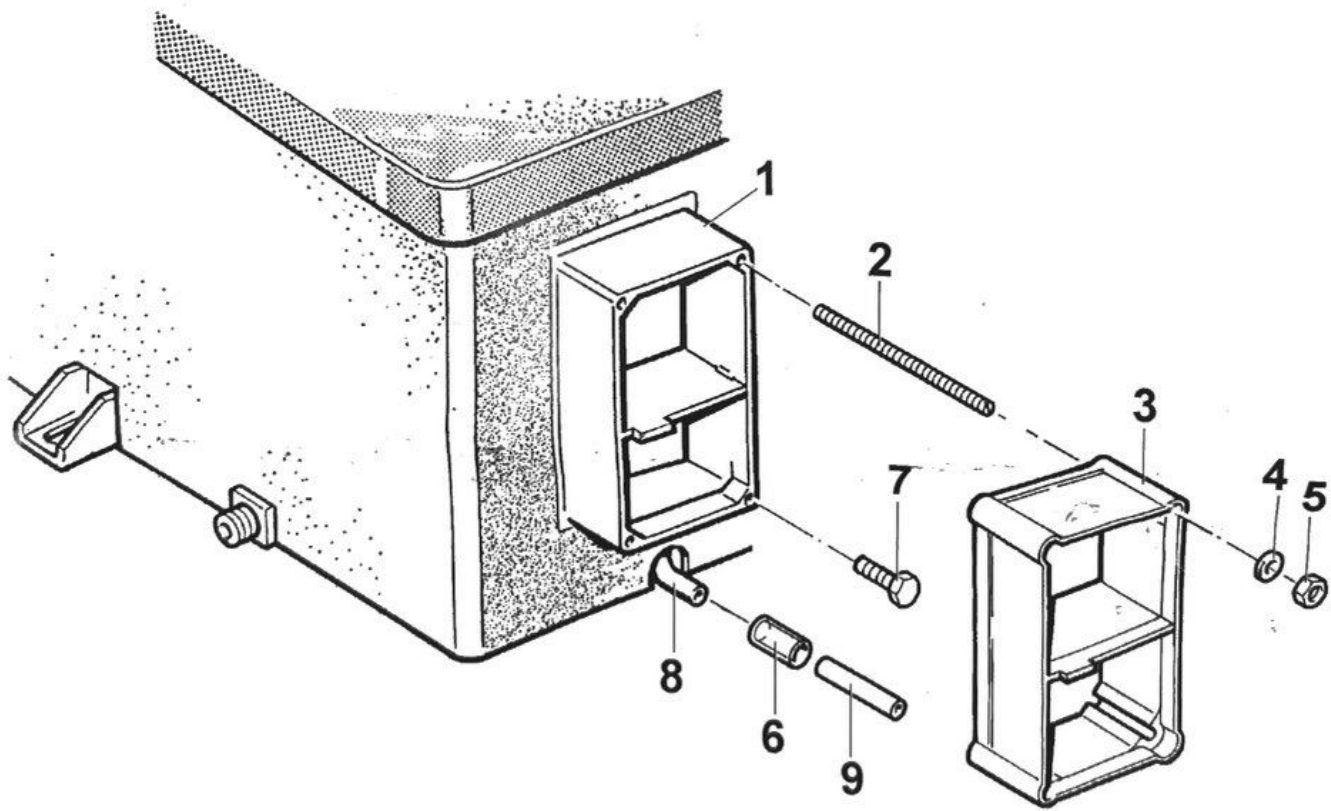
Installation instructions

Cowl extension VBO 2 for a wall thickness from 35 to 85 mm. Cut the threads M 4 in the cowl part (1) with the self cutting screws (7). Turn the screws out again and screw in the 4 threaded bolts (2).

Coat the joining between the cowl extension (3) and cowl part (1) with sealing compound (body sealing compound). Place on the cowl part (1) and tighten securely using 4 washers (4) and 4 nuts M 4 (5).

Join the condensation tube (8) and the extension tube (9) with the flexible hose (6). The Truma Boiler is now to fit according the installation instructions supplied with the Boiler. Only the self cutting screws (7) are to replace against nuts M 4 and the cut-out section is to saw 4 mm larger (100 x 176 mm).

Truma Gerätetechnik
GmbH & Co. KG
Wernher-von-Braun-Straße 12
85640 Putzbrunn
Deutschland



GB

F

