



[Mobile Toilets](#) - [Toilet Care Products](#) - [Refrigerators](#) - [Cooking Appliances](#) - [Doors](#)

PRODUCT CATALOGUE

Updated June 2008

CEQUENT
20-50 Waterview Close
Dandenong South VIC 3164

Customer Service
Ph: 03 9797 3260 Fax 03 9797 3299
Email: info@thetford.com.au



Thetford is the market leader in mobile sanitary solutions with expanding expertise in top-class absorption refrigerators and cooking appliances.

Convenience and quality guaranteed.



Contents

TERMS AND CONDITIONS	4
PORTABLE SANITATION PRODUCTS	5
Porta Potti Product Pricing	6
Porta Potti Series	7
Porta Potti Use and Maintenance	9
Porta Potti Trouble shooting Guide	10
Porta Potti Repair Guide	13
BUILT-IN TOILETS	19
Built-in Toilet Product Pricing	20
Cassette Toilet Series	21
Cassette Toilet Use and Maintenance	22
Holding Tank Toilet Series	23
TOILET CARE PRODUCTS	24
COOKING APPLIANCES	27
Cooking Appliances Product Pricing	28
Caprice Series	29
Mini Grill Series	30
Triplex Series	31
Midiprima Series	32
Duplex Series	32
Mk3 Series	33
Burner Hob Series	34
Hob Series	35
Combinations Unit Series	36
Kitchen Centre Series	38
REFRIGERATORS	39
Refrigerator Product Prices	40



ACCESSORIES	42
Accessory Prices	43
Service Door Series	44
SPARE PARTS GUIDE	45
Series 1 & 3 Porta Potti Parts	46
Series 4 Porta Potti Parts	50
Cassette Toilet C2 Parts	52
Cassette Toilet C4 Parts	56
Cassette Toilet C-200 Series Parts	59
Cassette Toilet C-402 C/X Parts	63
Aqua Magic/Starlite/Galaxy Toilet Parts	65
Bravura Toilet Parts	68
Electra Magic Toilet Parts	70
Aqua Magic and Electra Magic Additional Options	72



Terms and Conditions

Ordering

Please quote catalogue part number.

Freight

The free in store (FIS) value is \$1,500.00 (ex GST) to all states excluding the N.T. and W.A. Any orders received under this value will incur freight charges. Nominate your preferred transport company and we will dispatch immediately, freight on. Alternatively, we have contracts with major transport companies and can forward your goods at a very competitive rate.

Credit Terms

Cequent credit terms are strictly 30 days from the date of statement (i.e. invoices must be paid in full by the end of the month following the month of invoice.) We reserve the right to withhold any order if your account should exceed 30 days.

Availability of Stock

Deliveries are subject to availability of stock. Cequent is not liable for any charges due to unavailability of stock. Orders, which cannot be completed, are placed on back order. Please note that some spare parts for discontinued Thetford toilet lines are only available whilst stock lasts. For more information please contact Cequent customer service.

Pricing

List price provided the purchase price from Cequent. The recommended retail price (excluding GST) is a recommendation only and will not provide a defense for our customers, or customers of our customer, who applies it, based on the fact that it was our recommendation.

Any query to your circumstances or your customer circumstance should be addressed to your own independent advisers for assistance and advice to suit any individual case. Prices are for general information only.

All prices in this catalogue are subject to change without notice.

All prices quoted are in Australian (AUD) dollars.

Loss, Damage, Delay

Cequent will not accept any responsibility for goods lost, damaged or delayed in transit.

Return of Goods

Cequent terms for the return of goods must be strictly adhered to.

They are:

- No product may be returned without an Authorisation Number (current for one month only)
- Goods will not be accepted unless returned within 60 days of original invoice
- All returns must be in a saleable condition and may be subject to a 15% handling and restocking charge at purchased price.
- All returns must be accompanied by a docket showing the original invoice number.
- All returns must be returned freight prepaid.



Portable Sanitation Products

Porta Potti®

OVERVIEW

The first portable toilet was invented by Thetford and named the Porta Potti. As the market leader in sanitation products, Thetford has developed various models of the Porta Potti to suit the changing needs of customers.

Ideal for use when travelling with your caravan, motor home, bus or boat, renovating, attending camp over festivals, health aids and children's toilet training. No sewage hook-up required therefore the Porta Potti is very easy to use and maintain.

All Porta Potti models come with a three-year warranty.



PORTA POTTI PRODUCT PRICING

PART NO.	DESCRIPTION	LIST \$ (excluding GST)	RRP (including GST)
PORTA POTTI			
T16781	Porta Potti 145	\$147.00	\$161.70
T20675-68	Porta Potti 165	\$164.00	\$180.40
T25312-79	Porta Potti 335	\$192.00	\$211.20
T25313-79	Porta Potti 345	\$181.00	\$199.10
T25314-79	Porta Potti 365	\$192.00	\$211.20
T25400-32	Porta Potti 465	\$316.00	\$347.60
POTTY TOILET			
T35371-44	Potty Toilet High	\$84.60	\$93.06
T35370-44	Potty Toilet Low	\$77.00	\$84.70
ADDITIVES AND ACCESSORIES			
T30103	Premium Blue 6 x 2 litre carton	\$93.85	\$103.24
T30050	Premium Blue 6 X 1 litre carton	\$50.00	\$55.00
T30248	Premium Green 6 x 2 litre carton	\$89.24	\$98.16
T30253	Premium Green 6 X 1 litre carton	\$47.69	\$52.46
T30153	Premium Rinse 6 x 2 litre carton	\$73.85	\$81.24
T30161	Premium Rinse 6 X 1 litre carton	\$40.00	\$44.00
T06526	Aqua Kem Blue 10 x 1 litre carton (contains formaldehyde)	\$84.00	\$92.40
T06100	Aqua Kem Blue 4 x 5 litre carton (contains formaldehyde)	\$155.00	\$170.50
T06084	Aqua Kem Blue 25 litre drum (contains formaldehyde)	\$183.00	\$201.30
T03300	Aquasoft Toilet Rolls Case (4 pack)	\$6.00	\$6.60
T06506	Dri Kem Blue (8 Sachets per box)	\$16.00	\$17.60
T20708	Dri Kem Green (8 Sachets per box)	\$16.00	\$17.60



PORTA POTTI SERIES

	PP 145	PP 165	PP 335	PP 345	PP 365	PP 465
Size	Medium	Large	Small	Medium	Large	Large luxury
Dimensions h x w x d (mm)	338 x 379 x 419	414 x 379 x 419	305 x 343 x 381	338 x 379 x 419	414 x 379 x 419	414 x 379 x 419
Colour	Grey	Grey	White	White	White	White
Flushing system	Manual, bellows pump	Manual, bellows pump	Manual, piston pump	Manual, piston pump	Manual, piston pump	Electric
Holding tank level indicator	No	No	Yes	Yes	Yes	Yes
Holding tank capacity	12 L	21 L	10 L	12 L	21 L	21 L
Flush-water tank capacity	15 L	15 L	10 L	15 L	15 L	15 L
Net weight	3.3 Kg	3.6 Kg	3.8 Kg	3.4 Kg	3.7 Kg	4.0 Kg

ADVANTAGES OF THE PORTA POTTI

- Made by the inventor
- Lightweight, high-quality plastic
- Durable and practical in use
- Integrated emptying spout
- Handy vent button for splash-free emptying
- Choice of flushing system
- Level indicator, to show when it needs emptying*
- A three-year warranty
- Extensive range of Thetford Toilet Care products and spare parts
- Good quality achieved through years of experience in portable sanitation

* Except for the Porta Potti 145 and Porta Potti 165

SERIES 1



*Porta Potti
145*



*Porta Potti
165*

SERIES 3



*Porta Potti
335*



*Porta Potti
345*



*Porta Potti
365*

SERIES 4



*Porta Potti
465*



PORTA POTTI USE & MAINTENANCE

Preparing your Porta Potti for use

- Slide the latch at the rear of your Porta Potti to the right to detach the flush water tank from the waste holding tank
- Turn the emptying spout outwards and pour Thetford Toilet Care product (e.g. *Aqua Kem Blue Premium*, *Aqua Kem Blue* or *Aqua Kem Green Premium*) into the waste holding tank. Add 2 litres of water
- Turn the emptying spout back into position, put cap back on and put the two toilet parts together by pressing the flush water tank down on the waste holding tank
- Fill flush water tank with clean water. Add Thetford Aqua Rinse.



Use

- Open and close the valve blade once with seat and cover closed. This releases excess pressure.
- Flush toilet by using the pump. Open valve blade to release waste into the waste tank. Close valve blade after use.
- Disconnect toilet and take waste holding tank to an authorised waste disposal area (or normal toilet) to empty.
- Empty waste holding tank through emptying spout. Keep vent button pressed while emptying to avoid splashing (only press it when emptying spout is pointing downwards).



We recommend using Thetford Aqua Soft toilet paper which rapidly dissolves. Regular toilet paper may therefore cause clogging in your Porta Potti.

Storage & Cleaning

Store the toilet clean and dry. Remove batteries if present. Lubricate seals. Never clean with household cleaners, this may cause leakage. **Use Thetford products for best performance.**



Toilet Additives

Thetford toilet additives suppress smells, reduce formation of gas, promote break down of toilet waste and expand life span of mobile toilet. Please refer to page 24 for more information.

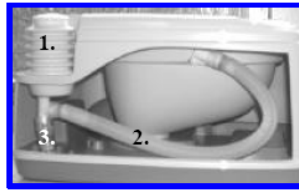
Warranty

All Porta Potti models have a 3 year warranty. Please contact Customer Service for more information.

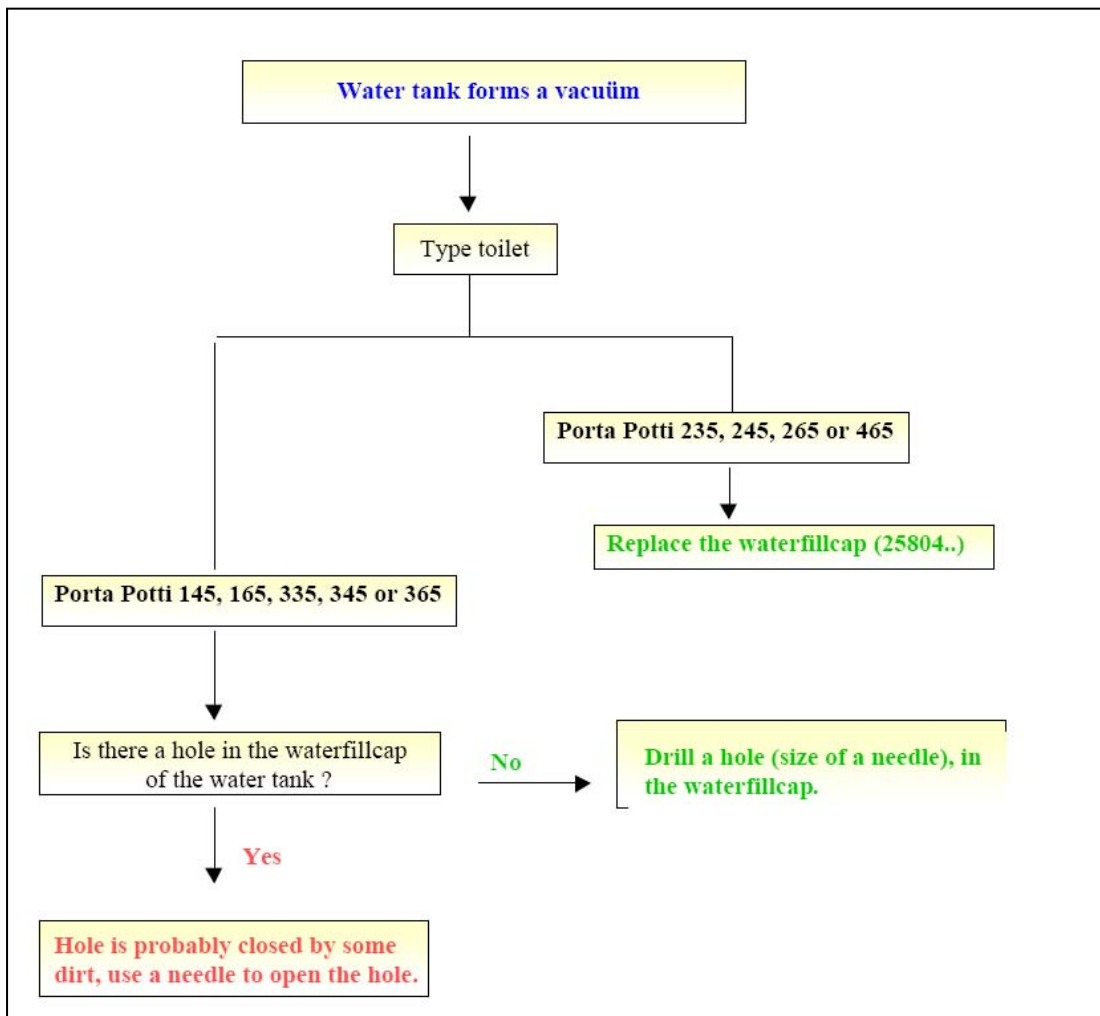
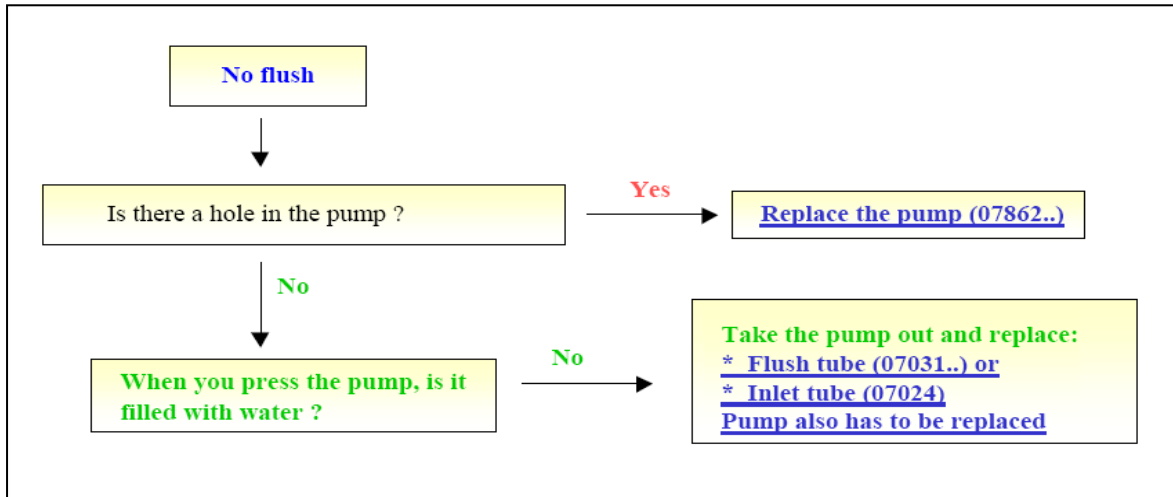


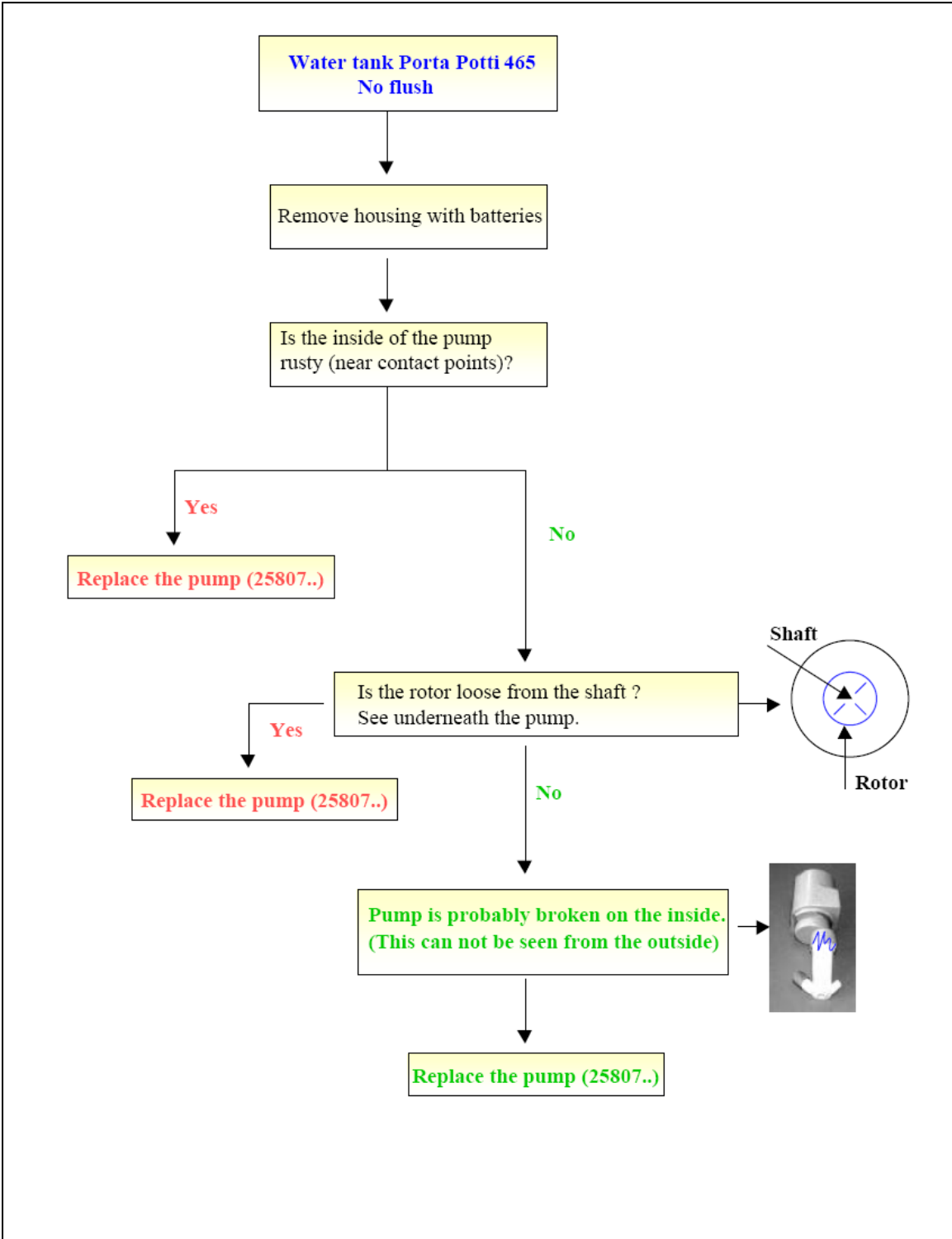
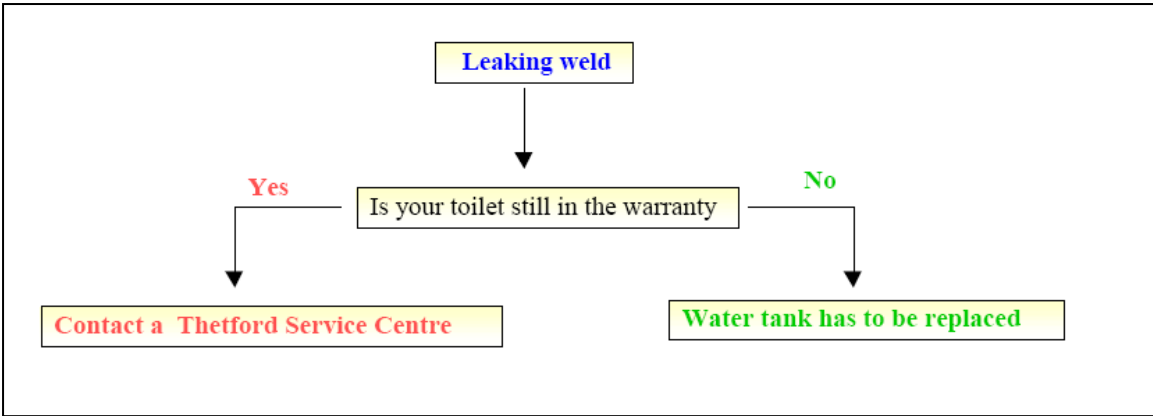
PORTA POTTI TROUBLE SHOOTING GUIDE

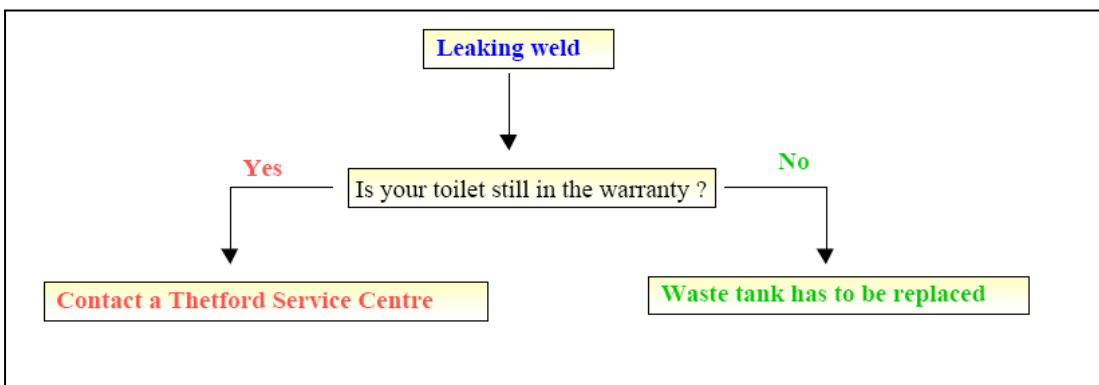
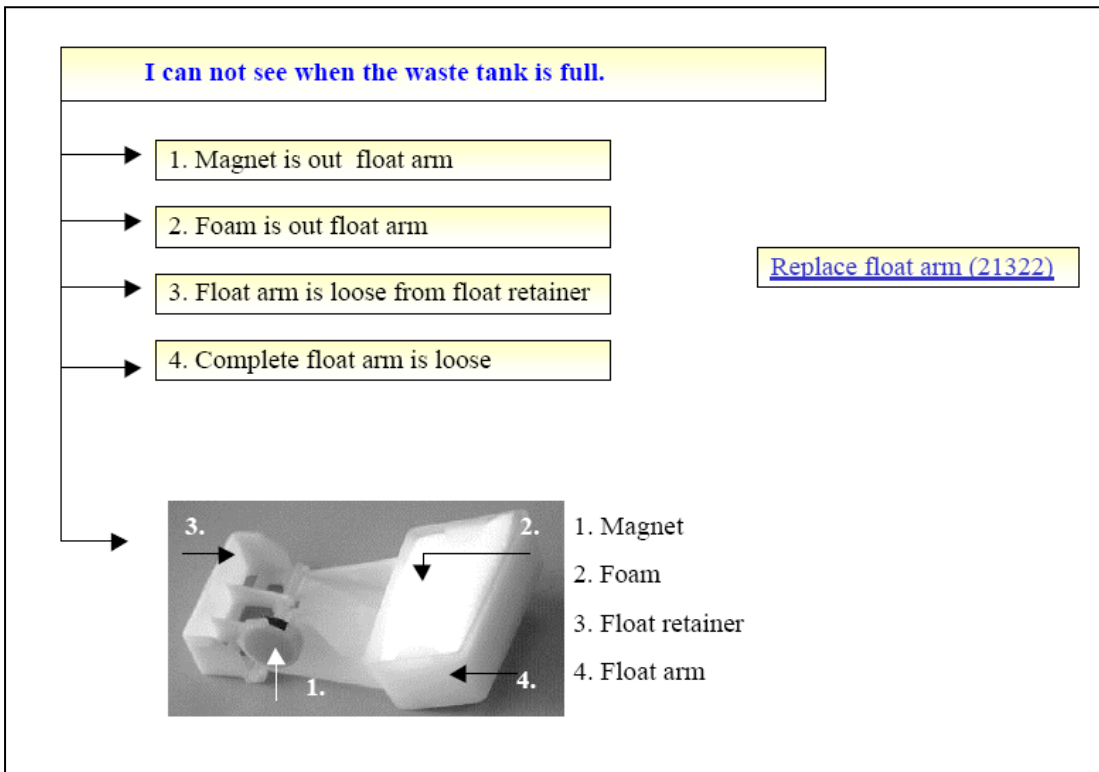
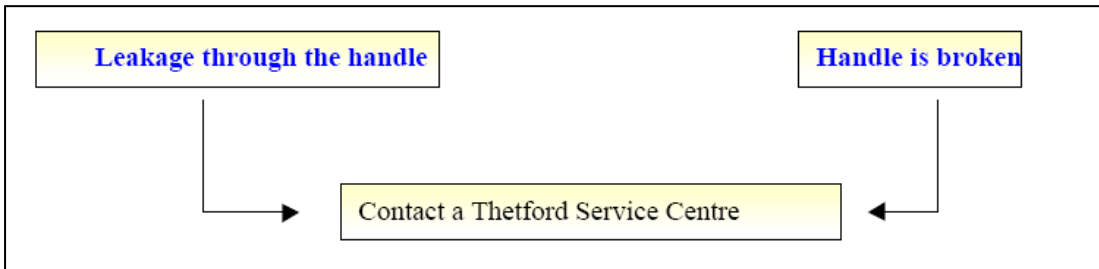
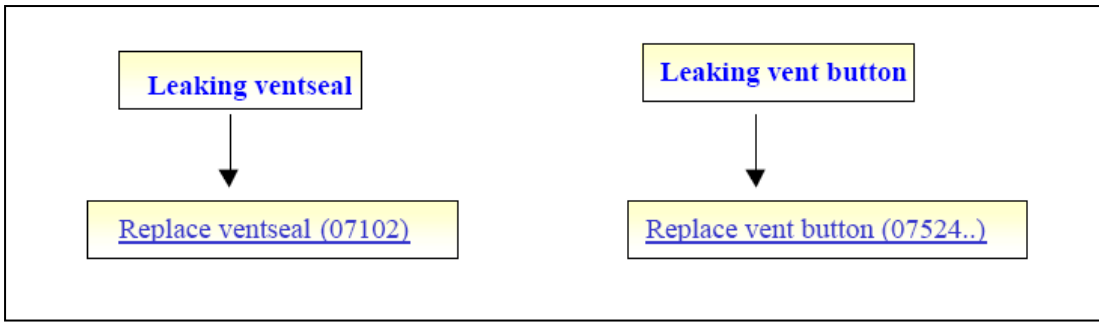
Porta Potti Water Tank



1. Pump
2. Flush tube
3. Inlet tube









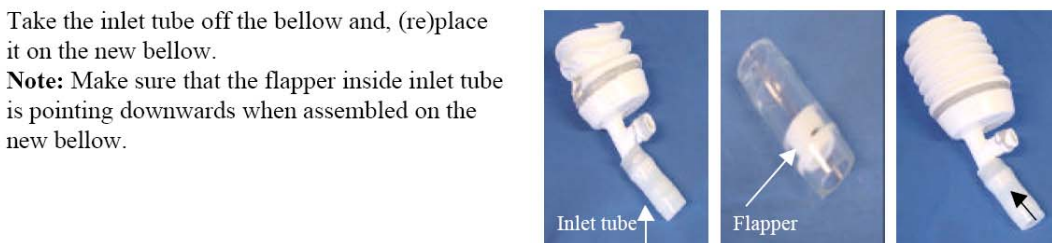
PORTA POTTI REPAIR GUIDE

1. 07016-07024 Inlet tube / 07862 Bellow


A.  Disassemble water tank from waste tank and, take seat & cover off.

B.  Cut half off the bellow with the knife and, take the bellow out.

C.  **Note :** Turn the water tank around when holding the bellow with the pincers. Take the bellow off the flush tube.


D.  Take the inlet tube off the bellow and, (re)place it on the new bellow. **Note:** Make sure that the flapper inside inlet tube is pointing downwards when assembled on the new bellow.




E.  Connect bellow to the flush tube and, press it back into the water tank.




F.  Place seat & cover back onto the water tank.

2. 07031 Flush tube

For taking out the bellow see point A, B and C on the front page.




D.  Go inside nozzle with the long nose pliers and, push it into the water tank.




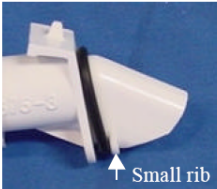
E.  Bend the new flush tube into a horseshoe shape and place an elastic band around it half way down, forcing it to remain in this position.  **Note :** Before refitting, remove the elastic band. 

Due to the horseshoe shape of the flush tube, when refitted, the nozzle will be guided back up towards the hole at the entrance of the bowl.

F. Once in view the nozzle may then be gripped with a long nose pliers and pulled back into the toilet bowl through the hole.

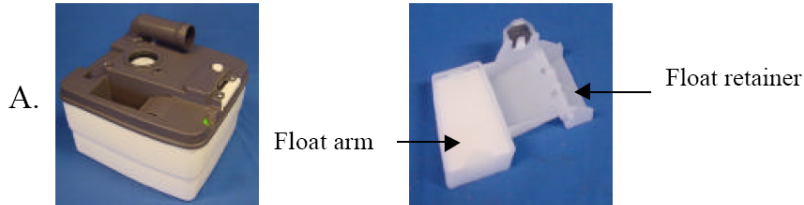


G. When pulling the nozzle through the hole, make sure that the small rib on the nozzle is pulled inside the toilet bowl.

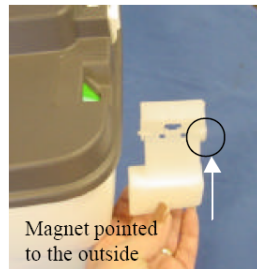


21322 Float arm

2. Porta Potti



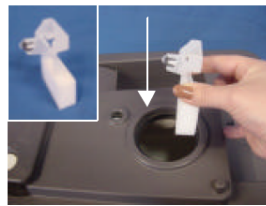
Position float arm, view from the outside.



B. For placing the new float arm, open the blade and go with your hand in the waste tank.



Magnet always has to point to the outside of the waste tank.

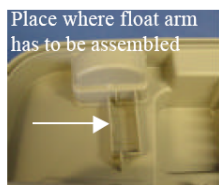


Note : If the float retainer is still in the waste tank (float arm has fallen off), the new float arm can not be assembled. Float retainer has to be taken out first. This can be done with a small flat screwdriver. As the waste tank is welded, this can only be done through the hole in the middle.

Inside view to take the float retainer out. Place screwdriver between rib and float retainer and lift it up.



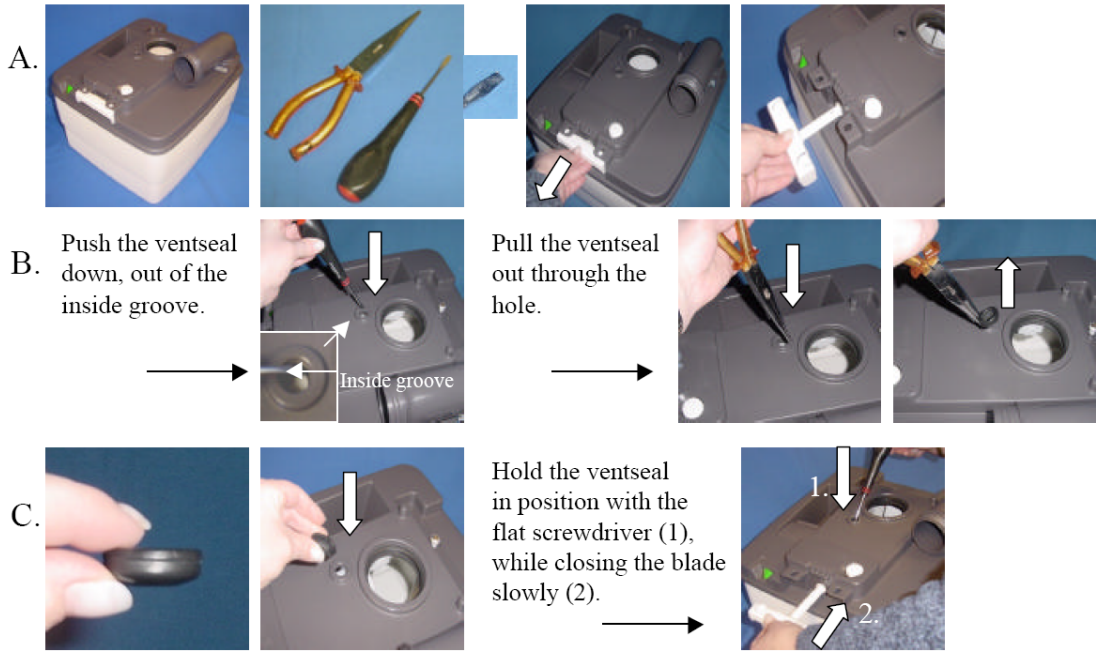
C. Inside view waste tank.



Press the float retainer in.



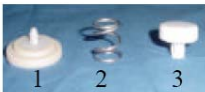
1. 07102 Ventseal / 07069 Ventseal










2. 07101 Lipseal / 07143 Lipseal



3. 07524 Vent button / 29314-62 Vent button

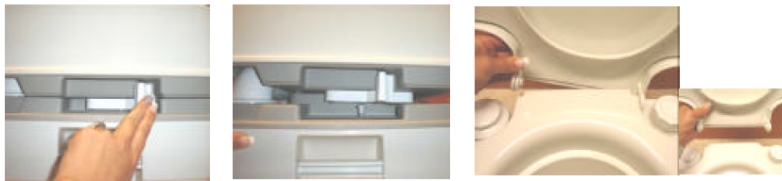
A.  1. Seal retainer
2. Spring
3. Vent button

B. Go with your hand in the waste tank and press the vent button (3).
→  While pressing the vent button, pull the seal retainer loose (1).
→  

C. Bring new seal retainer (1) and spring (2) in position and click the vent button (3) into the seal retainer
→    

25817-79 / 25818-68/79 Piston pump

A. Change over from bellow to piston pump



Disassemble water tank from waste tank and, take seat & cover off.



Cut half off the bellow with the knife and, take the bellow out.



Note : Turn the water tank around when holding the bellow with the pincers. Take the bellow off the flush tube.



Note : before placing the Piston Pump, please remove the grey sealant which was used for the bellow.



Take the piston pump and connect it to the flush tube.



Place the piston pump on its place and press it back into the water tank





Built-in Toilets



CASSETTE TOILET OVERVIEW

Combine the built-in comfort of holding tank toilets with the convenience of portable toilets. Cassette toilets have their own removable waste-holding tanks and you can select units with or without built-in fresh-water tanks. For ease of use, the Thetford Cassette Toilet surpasses any comparable toilet. Its unique design ensures it fits with any modern caravan, motor home or marine vessel interior. The Cassette Toilet is manufactured from high quality materials, has a powerful flushing system, has advanced fixtures and fittings and does not require sewage pump-out.



HOLDING TANK TOILET OVERVIEW

Every Thetford toilet has thoughtful ergonomic features so you're assured of a comfortable, elegant and trouble-free toilet. The holding tank toilet is ideal for transportable buildings or toilet blocks, motor home, bus and any other recreational vehicle which has a fixed sewage storage outlet. Select from the most attractive and complete line-up in the industry. You'll have a toilet that will provide years of trouble-free use.



BUILT-IN TOILET PRODUCT PRICING

PART NO.	DESCRIPTION	LIST \$ (excluding GST)	RRP (including GST)
CASSETTE TOILETS			
T23531-80	Cassette C-200 CS 12V	\$617.00	\$678.70
T23532-80	Cassette C-200CW manual	\$617.00	\$678.70
T32419-80	LH C402 Cassette toilet	\$694.00	\$763.40
T32418-80	RH C402 Cassette toilet	\$694.00	\$763.40
HOLDING TANK TOILETS			
T24215	Electra Magic 24V toilet	\$955.00	\$1,050.50
T24365	Electra Magic 12V toilet	\$1,010.00	\$1,111.00
T06367HR	Electra Magic 24V bus kit	\$1,150.00	\$1,265.00
T31084	Bravura High toilet	\$420.00	\$462.00
T31086	Bravura Low toilet	\$420.00	\$462.00
T19229	Aqua Magic Aurora China	\$752.00	\$827.20
ADDITIVES AND ACCESSORIES			
T30103	Premium Blue 6 x 2 litre carton	\$93.85	\$103.24
T30050	Premium Blue 6 X 1 litre carton	\$50.00	\$55.00
T30248	Premium Green 6 x 2 litre carton	\$89.24	\$98.16
T30253	Premium Green 6 X 1 litre carton	\$47.69	\$52.46
T30153	Premium Rinse 6 x 2 litre carton	\$73.85	\$81.24
T30161	Premium Rinse 6 X 1 litre carton	\$40.00	\$44.00
T06526	Aqua Kem Blue 10 x 1 litre carton (contains formaldehyde)	\$84.00	\$92.40
T06100	Aqua Kem Blue 4 x 5 litre carton (contains formaldehyde)	\$155.00	\$170.50
T06084	Aqua Kem Blue 25 litre drum (contains formaldehyde)	\$183.00	\$201.30
T03300	Aquasoft Toilet Rolls Case (4 pack)	\$6.00	\$6.60
T06506	Dri Kem Blue (8 Sachets per box)	\$16.00	\$17.60
T20708	Dri Kem Green (8 Sachets per box)	\$16.00	\$17.60



CASSETTE TOILET SERIES

	C-200 CS *	C-200 CW *	C-402 C *
Flushing system	Electric	Manual	Electric
Waste-holding tank capacity	17 L	17 L	19.3 L
Flush-water tank capacity	-	7 L	15 L
Waste-holding tank level indicator	1 indication level	1 indication level	1 indication level
Flush-water tank level indicator	-	No	No
Outside vent	Optional	Optional	Optional
Automatic ventilator	-	-	-
Waste-holding tank on wheels	No	No	Yes
Removable mechanism	No	No	Yes
Net weight	7.2 Kg	7.6 Kg	8.1 Kg
Electric blade opener	-	-	-
Waste Pump-Out system	-	-	-

C-200 CS



C-200 CW



C-402 C





CASSETTE TOILET USE & MAINTENANCE

Use

1. Open the access door on the outside of the caravan or motor home and remove waste holding tank
2. Pour Thetford Toilet Care product (e.g. *Aqua Kem Blue Premium*, *Aqua Kem Blue* or *Aqua Kem Green Premium*) into the waste-holding tank using the built-in rotating emptying spout.
3. For models that have their own flush-water tank, you also need to fill this tank. Depending on the model, open the water-filling door or the access door to add flush water fluid (*Aqua Rinse*) and fill up with water.

Toilet is now ready for use.

4. A level indicator is activated as soon as the waste-holding tank is about two-thirds full, and it shows you when the tank needs to be emptied.
5. To empty the waste-holding tank, all you need to do is remove the tank from the vehicle and empty at your nearest authorised waste dump.

After this the toilet is ready to be prepared for use again.

Storage & Cleaning

Store the toilet clean and dry. Remove batteries if present. Lubricate seals. Never clean with household cleaners, this may cause leakage.

Use Thetford products for best performance.

Thetford Toilet Additives

Thetford toilet additives suppress smells, reduce formation of gas, promote break down of toilet waste and expand life span of cassette toilet. Please refer to page 24 for more information.

Warranty

All Cassette toilets come with a 3 year warranty. Please contact Thetford Customer Service for more warranty information.



ADVANTAGES OF THE CASSETTE TOILET

- Optimal use of space
- Lightweight, high-quality plastic
- Durable, user-friendly and maintenance-friendly
- Easy access to the waste-holding tank from the outside
- Powerful flushing system: choice of manual or electric [12V]
- Quiet to use: no noise nuisance compared to other suppliers
- Level indicator: shows when the waste-holding tank needs to be emptied
- Built-in rotating emptying spout
- Vent button for emptying without splashing
- Automatic pressure release vent: prevents build-up of gases and ensures splash-free opening of the waste-holding tank
- Independent water supply or connected to your vehicle's central water tank



HOLDING TANK TOILET SERIES

AQUA MAGIC AURORA CHINA **While stock last**

The Aqua Magic toilet hooks up to the central water tank of the vehicle and has a waste tank located beneath or on the floor.

Features

- White finish
- Foot operated
- Waste tank capacity dependant on vehicle's waste tank
- Flush water tank capacity dependant on vehicle's central water tank

BRAVURA (HIGH & LOW)

The Bravura floor mounted toilet is available in high and low profiles, drawing flush water from an independent pressurised water supply. Waste tank located beneath or on the floor.

Features

- Single foot pedal operation
- Deep bowl ensures less splashing
- Easy installation and access of parts
- Waste tank capacity dependant on vehicle's waste tank
- Flush water tank capacity dependant on vehicle's central water tank



ELECTRA MAGIC

The Electra Magic is a silent re-circulating toilet for buses and motor homes which is guaranteed not to block. No separate waste tank or water supply needed. The toilet is filled with water and toilet additive, pumps recycle the fluid and a double filter system collects the waste. Disposal of waste is through a valve underneath the vehicle.

Features

- Electric flush
- Initial charge volume (fresh water + toilet additive): 9.2 L
- Waste capacity: 14.3L
- Total unit capacity: 23.5L





Toilet Care Products

For more than 35 years, Thetford has been designing and developing toilet care products to keep our mobile toilets functioning superbly. The researchers working in our renowned laboratories and external institutes are constantly developing and testing new products.

Why use Thetford Toilet Care products?

- Complete range of high-quality products for daily use and periodical maintenance
- The only products guaranteed to be safe to use for plastic and rubber Thetford parts
- Products come in a variety of pleasant smells
- Concentrated formula means they are economical to use and easy to pour
- Measuring strip makes for easy application of the correct dose
- 35 years of experience in designing and developing mobile toilets and toilet care products
- Continuous research and development: we are always looking at ways to improve our products

The Environment

Products from Thetford satisfy the highest environmental and efficiency standards. Our products are tested by Thetford chemists and independent laboratories for their biodegradability, their functionality and their suitability for water treatment systems. This guarantees the best products available by Thetford for sanitation needs.



WASTE TANK ADDITIVES

All the waste-holding tank products for daily use:

- Suppress unpleasant smells.
- Promote the breakdown of solids and toilet paper.
- Reduce the formation of gas.
- Keep your waste-holding tank pure and clean.
- Protect moving parts and extend the lifespan of the toilet.

Aqua Kem Blue Premium

- New premium formula
- Premium odor control
- Acts for a maximum of five days with average use
- Fresh pine scent
- Environmentally safe
- Available in 1 & 2 litre bottles



Aqua Kem Green Premium

- Biologically stimulates the breakdown of toilet waste
- Particularly suitable when emptying the waste holding tank at designated areas on camp sites
- Acts for a maximum of four days with average use
- Premium odour control
- Fresh citrus scent
- Environmentally safe
- Available in 1 & 2 litre bottles



Aqua Kem Blue

- Concentrated mixture
- Active ingredients chemically react with waste molecules to control odor and break down waste
- Available in 1, 5 & 25 litre bottles



Aqua Kem Dri

- Granules completely dissolvable in water
- Acts for a maximum of five days
- Powerful detergents clean tank walls and drain lines
- Works around the clock in all weather conditions
- 100% biodegradable liquid and environmentally safe when disposed of properly





FLUSH WATER TANK ADDITIVE

Aqua Rinse Premium

- Fresh toilet water tank additive for daily use
- Lavender scented
- Keeps flush water fresh and ensures your toilet has a cleaner flush
- Leaves a micro thin protective film in the toilet bowl that prevents deposits forming
- Has lubricating qualities to assist opening and closing of the blade
- Formula helps keep seals from cracking over time therefore ensuring odor control



THETFORD TOILET PAPER

Aqua Soft Toilet Paper

- Rapidly dissolving toilet paper which prevents clogging and makes the waste tank easier to empty
- Soft and strong in use
- 4 rolls in a pack



Regular toilet paper does not dissolve rapidly and can therefore clog and damage your portable or built-in toilet. Aqua Soft, on the other hand, rapidly dissolves resulting in trouble free use.



Cooking Appliances

Thetford cooking appliances are manufactured by Spinflo, the leading British supplier of quality hobs cookers, ovens and sinks for the recreational industry for over 20 years.

Spinflo cooking appliances, both Gas (LPG) and Dual Fuel, are equipped with a 12 volt spark ignition system and feature domestic style burners and taps.

Spinflo products are thoughtfully tested to ensure ultimate safety and customer satisfaction. It goes without saying that all products are AGA (The Australian Gas Association) approved to the latest Australian standards.

Spinflo proudly features some products made with Chinchilla glass tops. Chinchilla glass is unbreakable, heat resistant and can be used as a chopping board.

All Spinflo products come with a 1 year warranty.

ADVANTAGES

- High-quality materials and components
- Contemporary, home-like design
- Domestic-size knobs
- Easy to clean
- Optimal use of space
- Good finishing

SPINFLO
by **THETFORD**



COOKING APPLIANCES PRICING

PART NO.	DESCRIPTION	LIST \$ (excluding GST)	RRP (including GST)
	COOKING APPLIANCES		
SOH73955Z	Caprice Mk 3(Gas/Elect Hotplate,Grill & Oven)	\$1,249.19	\$1,374.11
SOH72955Z	Caprice Mk 3 (Gas 4 Burner, Grill & Oven)	\$1,185.94	\$1,304.53
SHG73955Z	Minigrill Mk 3 (Gas/Electric Hotplate & Grill)	\$774.81	\$852.29
SHG72955Z	Minigrill Mk 3 (Gas 4 Burner & Grill)	\$711.56	\$782.72
SOH71960Z	Triplex Mk 3(Gas/Elect Hotplate, Grill & Oven)	\$1,075.25	\$1,182.78
SOH70960Z	Triplex Mk 3 (Gas 3 Burner, Grill & Oven)	\$1,012.00	\$1,113.20
SOP70955Z	MidiPrima Mk 3 (Oven & Grill 2 door)	\$789.05	\$867.95
SOG70955Z	Duplex Mk 3 (Oven & Grill, 1 door)	\$624.59	\$687.05
SGR70955Z	Mk 3 Grill Only	\$347.87	\$382.66
SOV70955Z	Mk 3 Oven Only	\$521.81	\$573.99
SHB14571Z	3 Burner Hob (1 x Rapid Burner) Mk 3	\$466.46	\$513.11
SHB14171Z	4 Burner Hob Mk 3	\$490.19	\$539.21
SSK1075Z	Argent Sink (L/H Drain) Mk 3	\$308.35	\$339.18
SBL1004Z	Kitchen Centre Sink Mk 3	\$387.41	\$426.15
SHB84960Z	Hob, 8 Series (4 Burner) S/Steel	\$395.31	\$434.84
SHB84860Z	Hob, 8 Series (4 Burner Grill) S/Steel	\$469.63	\$516.59
SHB2000Z	Hob, (2 Burner) S/Steel	\$271.97	\$299.17
SHT27646Z	Hotplate (2 Burner Grill) S/Steel	\$362.11	\$398.32
SHM22200Z	Hob Midi (2 Burner Grill) S/Steel	\$385.82	\$424.40
SCU68443Z	Combination Unit (4 Burner Grill)S/Steel	\$575.57	\$633.13
SCU68243Z	Combination Unit (2 Burner Grill)S/Steel	\$444.33	\$488.76
SCU64260Z	Combination Unit (2 Burner) S/Steel	\$362.11	\$398.32
SGB3562Z	Grillbox(Grey) suit Hob, 8 Series	\$110.68	\$121.75
SGL1036	Glass Lid suit 2 Burner Hob units	\$101.20	\$111.32
SGL1201	Glass Lid suit Hob, 8 Series (4 burner)	\$101.20	\$111.32
SGL8001	Bi-fold Glass Lid suit Hob, 8 Series	\$139.15	\$153.06
SGL6013	Glass lid suit Caprice & Minigrill Mk 1	\$101.20	\$111.32
SGL6021	Bi-fold Glass Lid suit Caprice & Minigrill Mk 1	\$139.15	\$153.06



CAPRICE SERIES

- Combination oven, grill and hob
- 4 domestic quality cooking burners and one grill and one oven burner
- Possibility to include electric hot plate
- Separate grill
- Hot inside, max 60°C outside
- Reliable, high quality product
- Easy to install



Caprice Mk 3

Gas/Electric Hotplate, Grill & Oven

Part no: SOH73955Z

Dimensions: 644mm High x 513mm Wide x 500mm Deep

Oven capacity: 36 liters

Weight: 25.2kg

- ◇ Oven shelf
- ◇ Multi-function pan
- ◇ Detachable handle
- ◇ Pan trivet



Caprice Mk 3

Gas 4 Burner, Grill & Oven

Part no: SOH72955Z

Dimensions: 644mm High x 513mm Wide x 500mm Deep

Oven capacity: 36 litres

Weight: 27.2kg

- ◇ Oven shelf
- ◇ Multi-function pan
- ◇ Detachable handle
- ◇ Pan trivet



MINIGRILL SERIES



Minigrill Mk 3

Gas/Electric Hotplate & Grill

Part no: SHG73955Z

Dimensions: 311mm High x 513mm Wide x 500mm Deep

Weight: 14.5kg

- ◇ Multi-function pan
- ◇ Detachable handle
- ◇ Pan trivet



Minigrill Mk 3

Gas 4 Burner, Grill & Oven

Part no: SOH72955Z

Dimensions: 311mm High x 513mm Wide x 500mm Deep

Weight: 14.5kg

- ◇ Multi-function pan
- ◇ Detachable handle
- ◇ Pan trivet



TRIPLEX SERIES

- Combination oven, grill and hob
- 3 domestic quality cooking burners and one grill and one oven burner
- Reliable and simple controls
- Hot inside, max 60°C outside
- Reliable, high quality product
- Easy to install



Triplex Mk 3

Gas/Electric Hotplate, Grill & Oven

Part no: SOH71960Z

Dimensions: 468mm High x 456mm Wide x 500mm Deep

Oven capacity: 36 litres

Weight: 21.5kg

- ◇ Oven shelf
- ◇ Multi-function pan
- ◇ Detachable handle
- ◇ Pan trivet



Triplex Mk 3

Gas 3 Burner, Grill & Oven

Part no: SOH70960Z

Dimensions: 468mm High x 456mm Wide x 500mm Deep

Oven capacity: 36 litres

Weight: 21.5kg

- ◇ Oven shelf
- ◇ Multi-function pan
- ◇ Detachable handle
- ◇ Pan trivet



MIDIPRIMA SERIES

- Separate grill and oven
- Optional lower storage door (3/4 height)
- 12V spark ignition
- Hot inside, max 60°C outside
- Many different materials and finishes possible (glass, knobs, handles)
- Reliable, high quality product
- Easy to install



MidiPrima Mk 3

Grill & Oven, 2 door

Part no: SOP70955Z

Dimensions: 640mm High x 458mm Wide x 450mm Deep

Oven capacity: 36 litres

Weight: 17.2kg

- ◇ Multi-function pan
- ◇ Oven shelf
- ◇ Detachable handle
- ◇ Pan trivet



DUPLEX SERIES

- Oven & Grill combination
- Double burner (one for oven & one for grill)
- Reliable and simple controls
- Hot inside, max 60°C outside
- Reliable, high quality product
- Easy to install



Duplex Mk 3

Grill & Oven, 1 door

Part no: SOG70955Z

Dimensions: 445mm High x 456mm Wide x 440mm Deep

Oven capacity: 36 litres

Weight: 13.5kg

- ◇ Multi-function pan
- ◇ Oven shelf



MK 3 SERIES



Mk 3

Grill only

Part no: SGR70955Z

Dimensions: 282mm High x 444mm Wide x 450mm Deep

Weight: 6.2kg

- Multi-function pan
- Detachable handle
- Pan trivet



Mk 3

Oven only

Part no: SOV70955Z

Dimensions: 445mm High x 456mm Wide x 440mm Deep

Oven capacity: 36 litres

Weight: 13.5kg

- Multi-function pan
- Oven shelf



BURNER HOB SERIES



3 Burner Hob

1 x Rapid Burner

Part no: SHB14571Z

Dimensions: 88mm High x 570mm Wide x 470mm Deep

Weight: 8kg



4 Burner Hob

Part no: SHB14171Z

Dimensions: 88mm High x 570mm Wide x 470mm Deep

Weight: 8kg



HOB SERIES



Hob

2 burner

Part no: SHB2000Z

Dimensions: 88mm High x 400mm Wide x 275mm Deep

Weight: 3kg



Hob Midi

2 burner grill

Part no: SHB22200Z

Dimensions: 88mm High x 400mm Wide x 390mm Deep

Weight: 4.2kg



Hob, 8 Series

4 burner grill

Part no: SHB84860Z

Dimensions: 88mm High x 500mm Wide x 400mm Deep

Weight: 4.8kg



Hob, 8 Series

4 burner

Part no: SHB84960Z

Dimensions: 88mm High x 500mm Wide x 400mm Deep

Weight: 4.8kg



COMBINATION UNIT SERIES



Combination Unit

2 burner grill & sink

Part no: SCU68243Z

Dimensions: 165mm High x 1150mm Wide x 400mm Deep

Weight: 8kg



Combination Unit

4 burner grill & sink

Part no: SCU68443Z

Dimensions: 165mm High x 1150mm Wide x 400mm Deep

Weight: 4.2kg



COMBINATION UNIT & HOTPLATE SERIES



Combination Unit

2 burner grill & sink

Part no: SCU64260Z

Dimensions: 165mm High x 1150mm Wide x 400mm Deep

Weight: 4.2kg



Hotplate

2 burner grill

Fully self-enclosed portable unit

Part no: SHT27646Z

Dimensions: 160mm High x 445mm Wide x 345mm Deep

Weight: 6.5kg



KITCHEN CENTRE SERIES

Stylish designed sink with integrated dish rack, and special designed wash bowl, cutting board and drainer.

Kitchen Centre is easy to install and easy to clean.

Additional accessories for the Kitchen Centre are available:

- Chinchilla lid
(able to use lid as chopping board)
- Wash bowl insert (11 litres)
- Chopping board
- Drainer
- Dish rack
- Cutlery box



Kitchen Centre with Cinchilla Glass Lid

Part no: SBL1004Z



Argent Sink (L/H Drain)

Chinchilla glass lid

Part no: SSK1075Z

Weight: 5.5kg

Dimensions: 630x470mm

Sink bowl: 146mm deep



Refrigerators

Quiet as a whisper

Thetford absorption fridges work in a different way from the one at home. Because Thetford fridges have no compressor, they are far quieter.

Quality Guaranteed

Thetford absorption fridges are extensively tested to our high standards. You can be assured that these fridges will give you first-class performance in any situation. Thetford fridges come with a three-year warranty instead of the usual two years. They have the CE mark of quality, are CFC-free and almost entirely recyclable.



ADVANTAGES OF THE ABSORPTION REFRIGERATOR

- High-quality cooling unit giving a first-class cooling performance.
- Securely closed door. The door's closing mechanism ensures that the fridge will remain closed while you're driving.
- Efficient door bins. The door containers are adjustable in height and prevent leakage along the inner side of the door.
- Flexible bottle slide. The bottle slides ensure that any size or shape of bottle can be held securely in place. Also, some fridge doors have a bottle rack to keep larger bottles in place.
- Handy non-slip click strip. The plastic strip on the storage racks in the fridge ensures that food cannot shift while in transit.
- Flame indicator. Immediately after ignition, the flame indicator on the control panel shows whether the flame is lit; stooping to look for the flame is a thing of the past!
- Defrost cycle and self-diagnosis. All Premium LCD fridges are equipped with an automatic defrost cycle, which prevents ice collecting on the freezer element and makes manual defrosting unnecessary. These fridges have a reliable self-diagnosis system so that, should a failure occur, the error code for the specific problem is displayed on the control panel.
- Rounded or flat door. Thetford fridges have a modern flat or rounded door. The rounded door gives the fridge a sleek appearance that integrates perfectly with the interior of your caravan or motor home. Models with a rounded door have a larger capacity.



REFRIGERATOR PRICING

PART NO.	DESCRIPTION	LIST \$ (excluding GST)	RRP (including GST)
	FRIDGES		
TN301.3R	93L, 3 Way Absorption Fridge (N301)	\$1,170.15	\$1,287.17
TN401.3R	128L, 3 Way Absorption Fridge (N401)	\$1,654.66	\$1,820.13
TN501.3R	164L, 3 Way Absorption Fridge (N501)	\$1,924.82	\$2,117.30
	ACCESSORIES		
T630850	N301 Flue Kit	\$24.04	\$26.44
T631013	N401 Flue Kit	\$24.04	\$26.44
T632194	N501 Flue Kit	\$24.04	\$26.44
T631247111	Top Outside Vent	\$31.62	\$34.78
T631246111	Bottom Outside Vent	\$31.62	\$34.78

General Refrigerator Features

- Piezo operation
- AGA (The Australian Gas Association) approved to the latest Australian standards
- Adjustable thermostat to respond to high ambient temperatures and varied use
- Flame current meter monitors gas ignition
- Easy-to-clean, durable white, powder-coated shelves
- Includes one ice tray
- Contemporary design with ergonomic controls and latch

N301

- Easy to operate manual controls
- Adjustable, removable shelves and door bins
- Manual change over between gas and electric
- Easy-reversible, self-latching door opens 150°

Gross Volume	93L (including freezer)
Volume Freezer	11L
Consumption 240V*	2.7 kWh/24h
Consumption 12V*	2.7 kWh/24h
Consumption Gas	12 gr/h
Size door panel	659x511x4.7mm (HxWxD)
Net weight	28kg

Dimensions (including door)

Height	770mm
Width	556mm
Depth	582mm

Enclosure cut-out dimensions

Height	756mm
Width	521mm
Depth	543mm

N401

- Easy to operate manual controls
- Adjustable, removable shelves and door bins
- Manual change over between gas and electric
- Easy reversible, self-latching door opens 150°

Gross Volume	128 (including freezer)
Volume Freezer	20L
Consumption 240V*	3.5 kWh/24h
Consumption 12V*	3.5 kWh/24h
Consumption Gas	17.4 gr/h
Size door panel	787x541x4.7mm (HxWxD)
Net weight	37kg

Dimensions (including door)

Height	937mm
Width	625mm
Depth	640mm

Enclosure cut-out dimensions

Height	929mm
Width	602mm
Depth	610mm

N501

- Easy to operate manual controls
- Adjustable, removable shelves and door bins
- Manual change over between gas and electric
- Flip-up bottom shelf holds large bottles
- Easy reversible, self-latching door opens 150°
- Fresh fruit/vegetable storage bin

Gross Volume	164 (including freezer)
Volume Freezer	20L
Consumption 240V*	3.5 kWh/24h
Consumption 12V*	3.5 kWh/24h
Consumption Gas	17.5 gr/h
Size door panel	939x541x4.7mm (HxWxD)
Net weight	40kg

Dimensions (including door)

Height	1090mm
Width	625mm
Depth	640mm

Enclosure cut-out dimensions

Height	1083mm
Width	602mm
Depth	610mm

* Average energy use at an ambient temperature of 25°C



Accessories

Service Doors

With Thetford Service Doors, you can create extra and easy access to certain areas in your caravan or motor home. Thetford offers a range of elegantly designed, high quality service doors produced using high-grade, light weight plastics making them extremely durable.

Battery Box & Wet Locker Box

The Thetford Battery Box is designed to accommodate an auxiliary battery in a caravan or motor home. The Battery Box has a CE socket to connect the vehicle to a 230V power source, but can be fitted with several sockets and outlets.

The Thetford Wet Locker Box is a storage compartment for boats, caravans and motor homes. Wet swimming or surfing gear, diving equipment and any other wet item that may require storage can now be stored without worrying about possible water damage to the vehicle or vessel.



ACCESSORIES PRICING

PART NO.	DESCRIPTION	LIST \$ (excluding GST)	RRP (including GST)
	ACCESSORIES		
T26986	Battery box	\$80.00	\$88.00
T26997-80	Battery box door	\$38.00	\$41.80
T26951-80	Wet locker box	\$166.00	\$182.60
T26805-80	Door 3 Cassette Door	\$89.00	\$97.90
T26818-80	Door 4 Service Door	\$135.00	\$148.50
T26828-80	Door 5 Service Door	\$135.00	\$148.50
T26864-80	Door 6 Service Door	\$152.00	\$167.20
T23786	Outside vent C-200 CS / CW	\$36.00	\$39.60
T06060	3 meter Sewer hose with fittings	\$86.10	\$94.71
T06239	9 meter Sewer hose with fittings	\$147.00	\$161.70



SERVICE DOOR SERIES



	Model 3	Model 4	Model 5	Model 6
Application	Compact general door & standard Cassette Toilet door	Gas cylinders and water tanks	Water tanks & general luggage door	General luggage door for large objects
Total dimensions h x w	385 x 335 mm	700 x 395 mm	785 x 335 mm	1038 x 460 mm
Door/opening dimensions h x w	330 x 280 mm	630 x 330 mm	730 x 280 mm	980 x 400 mm
Push-button latch with lock	1	2	2	3
Push-button latch	1	-	-	-
Colour	White	White	White	White



Battery Box



Wet Locker Box



Spare Parts Guide

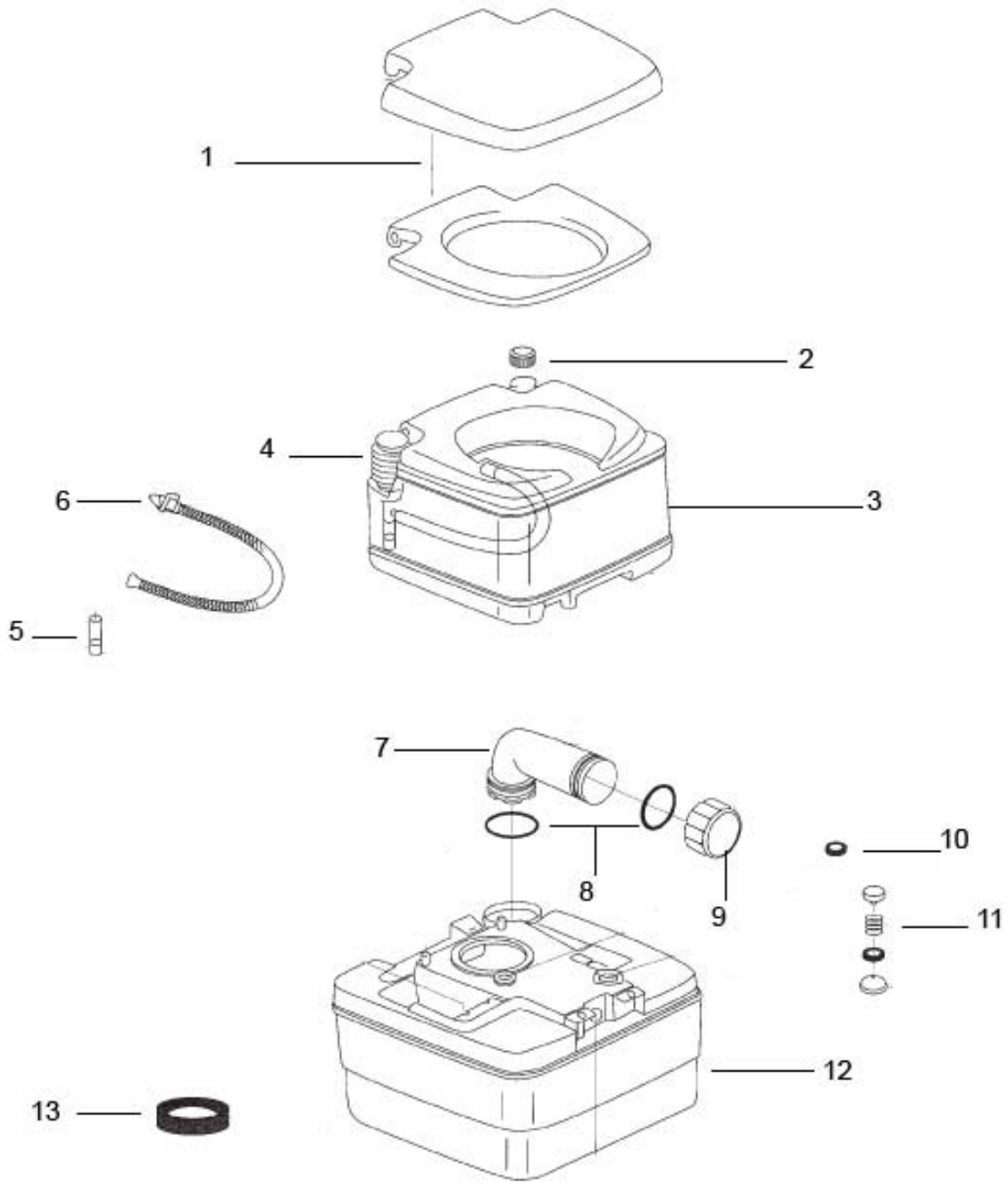
The following guide can be used when replacing parts or making a warranty claim. Please note that stock is subject to availability and change. Theftford are continually developing and improving their product range. As a result Cequent no longer distribute built in toilets C4, C2, Aqua Magic Starlite/Galaxy, IV and V. Some spare parts listed for these toilets which are not a warranty item will not be re-stocked once current stock runs out. Spare part lists will be updated in accordance with revised editions of this catalogue.



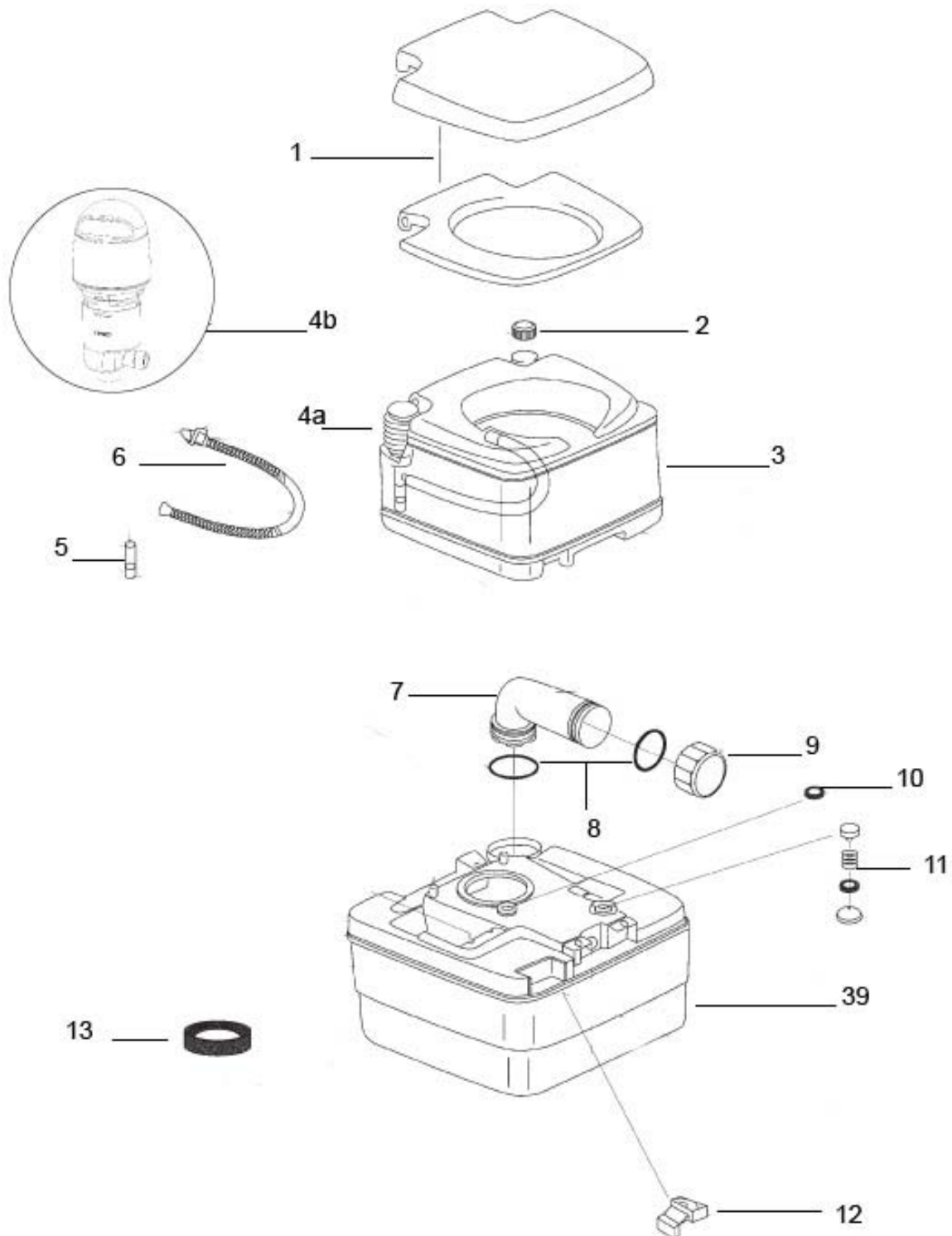
SERIES 1 & 3 PORTA POTTI PARTS

DIAGRAM REFERENCE NO.	PART NO.	DESCRIPTION	LIST \$ (excluding GST)	RRP (including GST)
PORTA POTTI 145/165				
1	T07331	Seat and cover	\$34.10	\$37.51
2	T12901	Waterfill cap	\$2.90	\$3.19
3	T07471	Watertank	\$42.00	\$46.20
4	T07862	Bellow	\$13.70	\$15.07
5	T07024	Inlet tube assembly	\$5.80	\$6.38
6	T07031	Nozzle flush assembly	\$8.90	\$9.79
7	T07492	Pour out spout	\$14.70	\$16.17
8	T16195	Dump cap seal/spout seal	\$2.60	\$2.86
9	T07493	Dump cap	\$12.60	\$13.86
10	T07102	Vent seal	\$4.70	\$5.17
11	T07524	Vent button assembly	\$5.80	\$6.38
12	T07476	Holding Tank (Porta Potti 165)	\$101.90	\$112.09
12	T16791	Holding Tank (Porta Potti 145)	\$107.10	\$117.81
13	T07101	Lip seal	\$9.50	\$10.45
PORTA POTTI 345/365				
1	T07331	Seat and cover	\$34.10	\$37.51
2	T12901	Waterfill cap	\$2.90	\$3.19
3	T07471	Watertank	\$42.00	\$46.20
4a	T07862	Bellow	\$13.70	\$15.07
4b	T25818	Piston pump	\$26.60	\$29.26
5	T07024	Inlet tube assembly	\$5.80	\$6.38
6	T07031	Nozzle flush assembly	\$8.90	\$9.79
7	T07492	Pour out spout assembly	\$14.70	\$16.17
8	T16195	Dump cap seal/spout seal	\$2.60	\$2.86
9	T07493	Dump cap	\$12.60	\$13.86
10	T07102	Vent seal	\$4.70	\$5.17
11	T07524	Vent button	\$5.80	\$6.38
12	T21322	Float arm	\$10.00	\$11.00
13	T07101	Lip seal	\$9.50	\$10.45
14	T25801	Holdingtank (Porta Potti 345)	\$90.30	\$99.33
14	T25802	Holdingtank (Porta Potti 365)	\$107.10	\$117.81
PORTA POTTI 335				
1	T07220	Seat and cover	\$38.90	\$42.79
2	T12901	Waterfill cap	\$2.90	\$3.19
3	T07212	Watertank	\$42.00	\$46.20
4a	T07862	Bellow	\$13.70	\$15.07
4b	T25817	Piston pump	\$26.60	\$29.26
5	T07016	Inlet tube assembly	\$3.70	\$4.07
6	T07031	Nozzle flush assembly	\$8.90	\$9.79
7	T07492	Pour out spout	\$14.70	\$16.17
8	T16195	Dump cap seal/spout seal	\$2.60	\$2.86
9	T07493	Dump cap	\$12.60	\$13.86
10	T07102	Vent seal	\$4.70	\$5.17
11	T07524	Vent button assembly	\$5.80	\$6.38
12	T21322	Float arm	\$10.00	\$11.00
13	T07101	Lip seal	\$9.50	\$10.45
14	T25800	Holdingtank	\$90.30	\$99.33

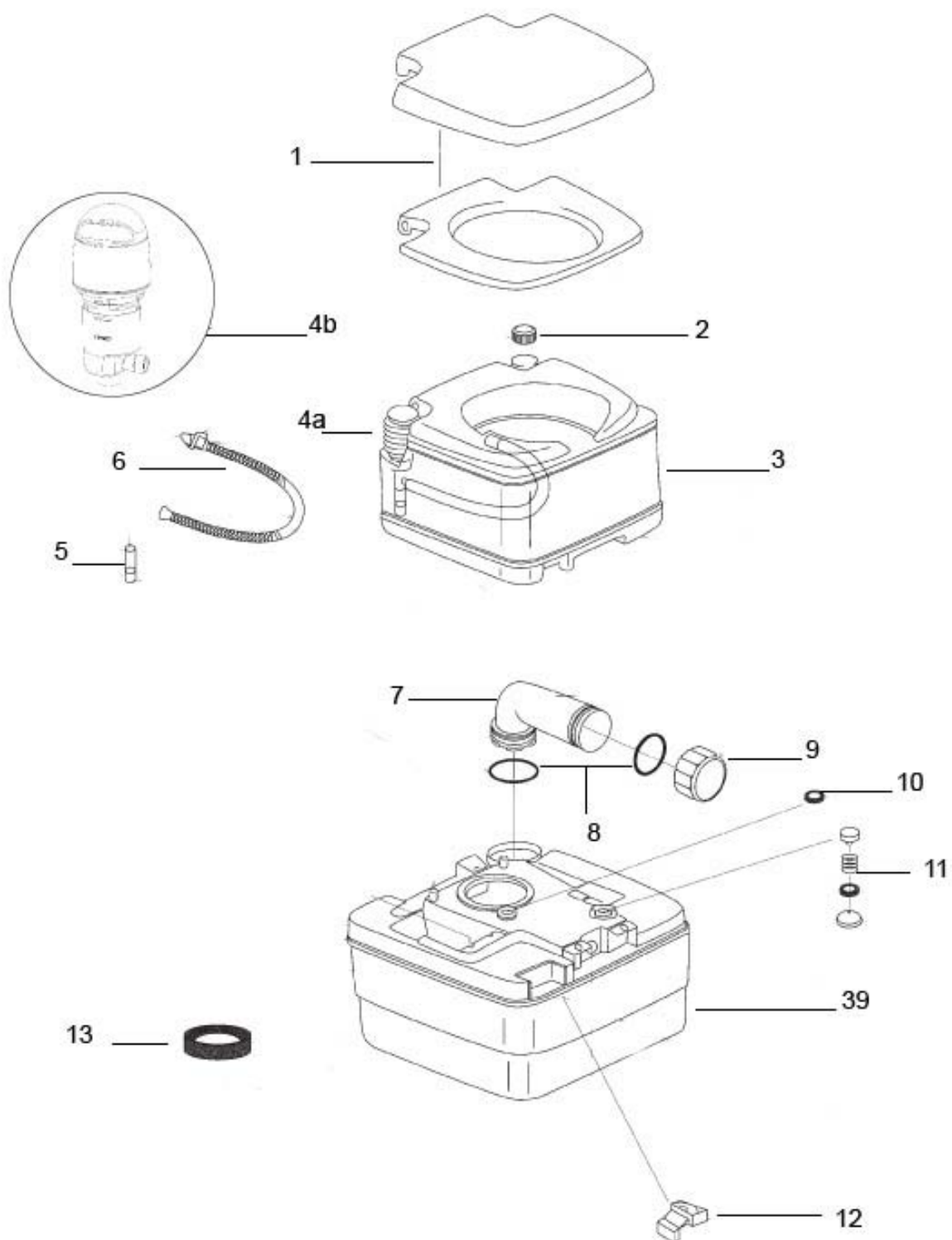
PORTA POTTI 145/165 PARTS DIAGRAM



PORTA POTTI 345/365 PARTS DIAGRAM



PORTA POTTI 335 PARTS DIAGRAM

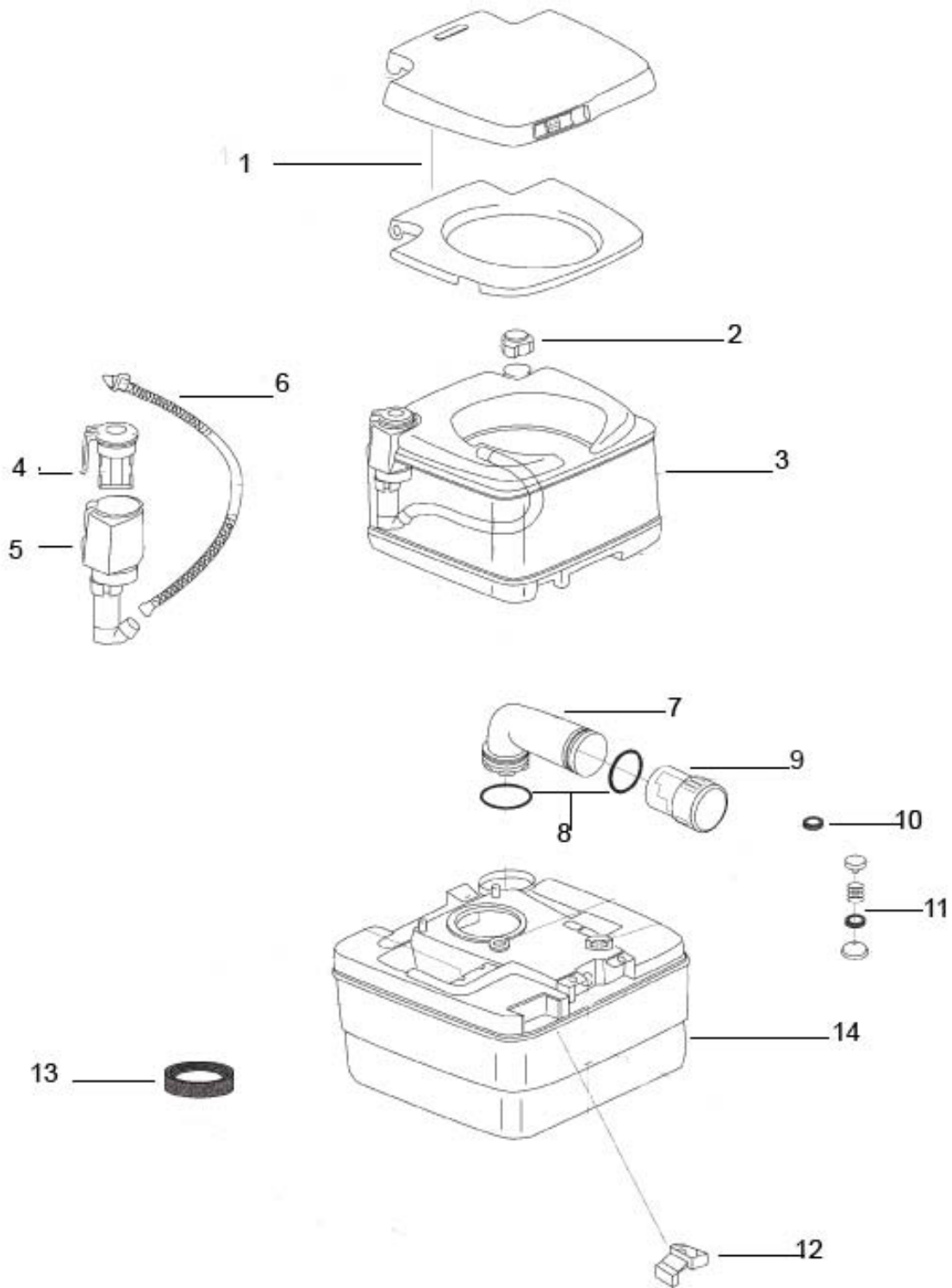




SERIES 4 PORTA POTTI PARTS

DIAGRAM REFERENCE NO.	PART NO.	DESCRIPTION	LIST \$ (excluding GST)	RRP (including GST)
PORTA POTTI 465				
1	T07317	Cover and seat	\$43.00	\$47.30
2	T25804	Waterfill cap	\$5.80	\$6.38
3	T25805	Watertank	\$55.00	\$60.50
4	T25806	Button housing	\$30.00	\$33.00
5	T25807	Pump housing	\$55.00	\$60.50
6	T25808	Flush tube assembly	\$25.00	\$27.50
7	T25809	Pour out spout assembly	\$16.00	\$17.60
8	T16195	Dump cap seal/spout seal	\$2.60	\$2.86
9	T25810	Dump cap measuring cup	\$12.60	\$13.86
10	T07102	Vent seal	\$4.70	\$5.17
11	T07524	Vent button	\$5.80	\$6.38
12	T21322	Float arm	\$10.00	\$11.00
13	T07101	Lip seal	\$9.50	\$10.45
14	T25811	Holdingtank	\$110.00	\$121.00

PORTA POTTI 465 PARTS DIAGRAM

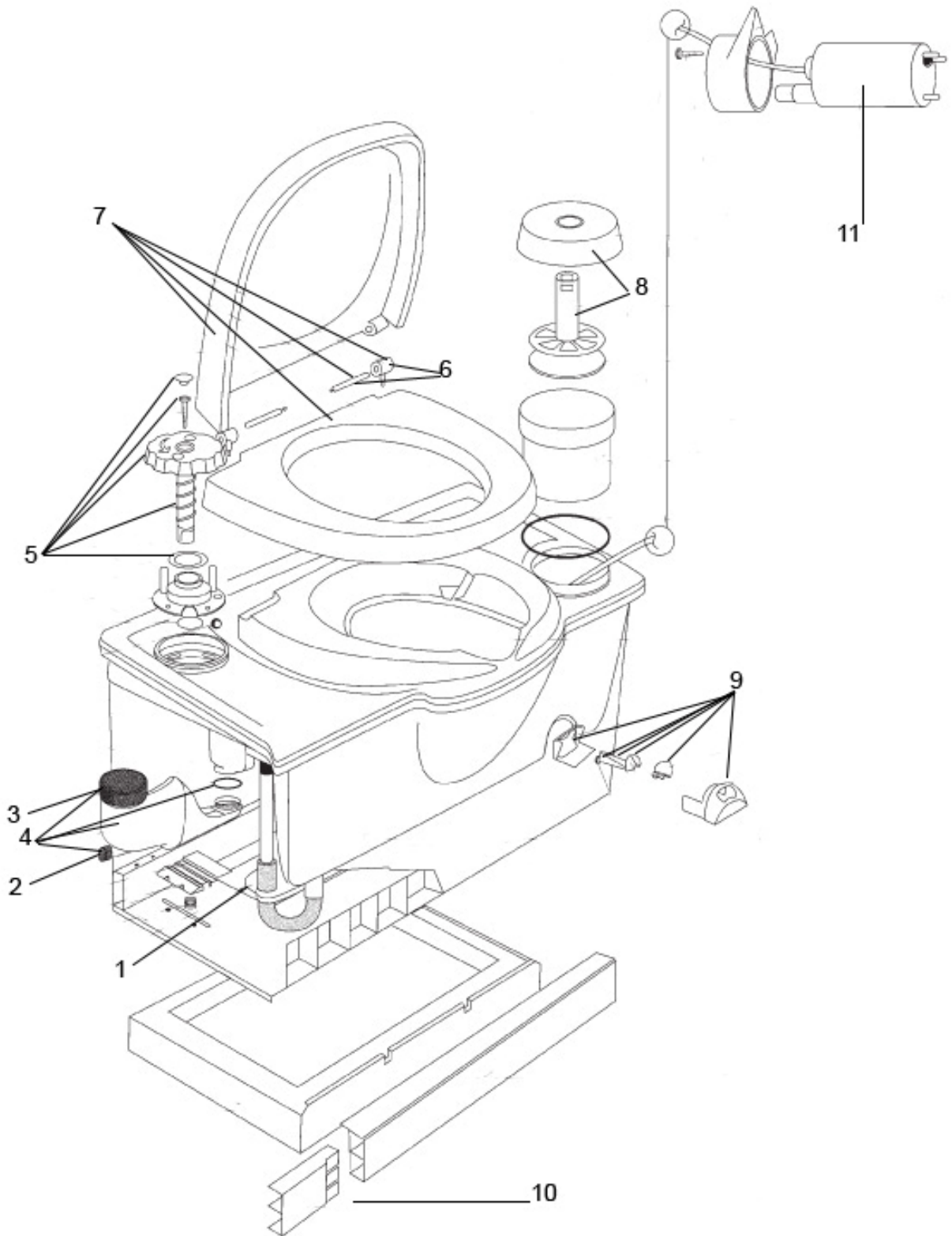




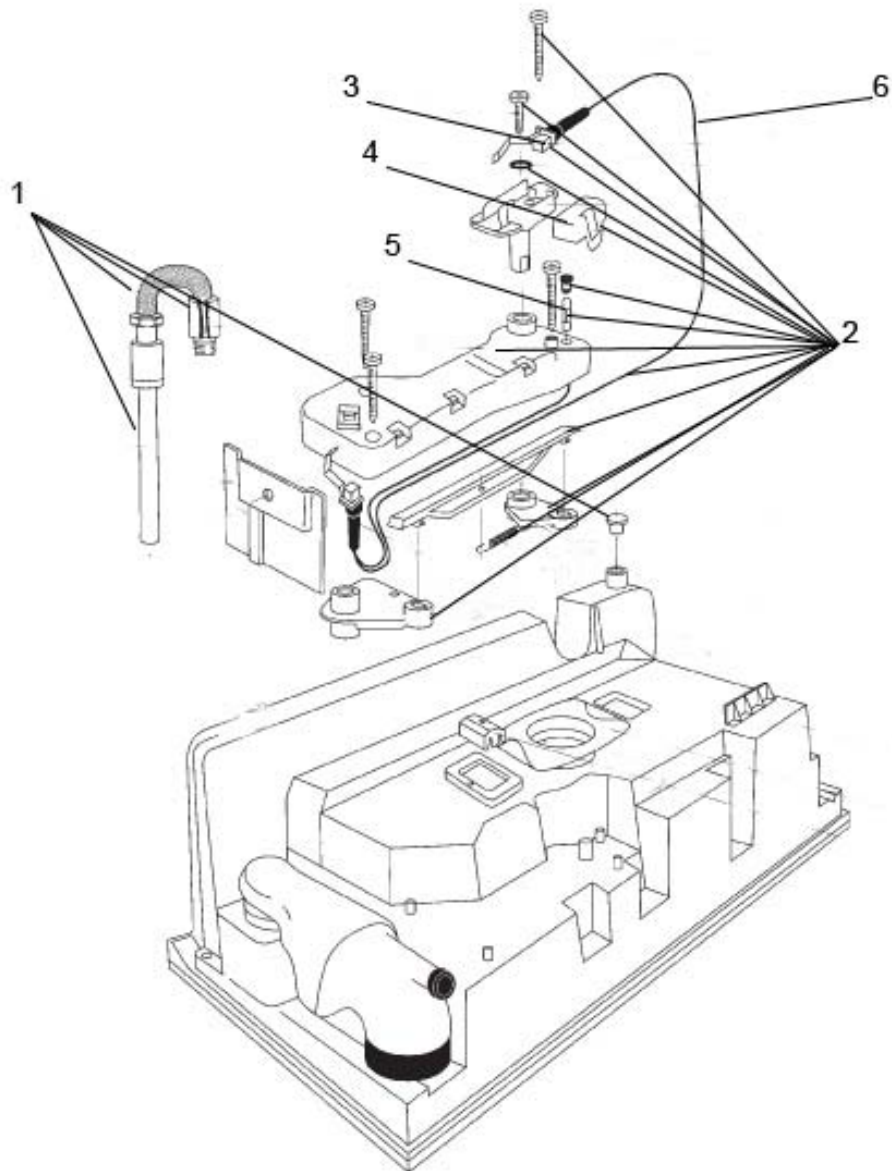
CASSETTE TOILET C2 PARTS

DIAGRAM REFERENCE NO.	PART NO.	DESCRIPTION	LIST \$ (excluding GST)	RRP (including GST)
CASSETTE TOILET C2				
1	T16166	Drip tray	\$6.80	\$7.48
2	T16385	Draincap waterfillfunnel	\$2.60	\$2.86
3	T16848	Cap waterfillfunnel	\$9.50	\$10.45
4	T16381	Waterfillfunnel assembly	\$25.20	\$27.72
5	T16377	Flush knob assembly	\$18.90	\$20.79
6	T16183	Hinge post and pin	\$5.80	\$6.38
7	T16194	Seat and cover assembly	\$67.20	\$73.92
8	T16184	Tissue Holder	\$11.60	\$12.76
9	T16171	Level indicator (while stock lasts)	\$12.60	\$13.86
10	T16266	Extension front panel (while stock lasts)	\$7.00	\$7.70
11	T16374	Pump	\$112.40	\$123.64
CASSETTE TOILET C2 BENCH				
1	T21370	LH Draintube assembly	\$16.80	\$18.48
1	T21371	RH Draintube assembly	\$16.80	\$18.48
2	T16379	Mechanism assembly	\$78.80	\$86.68
3	T20107	Switch (while stock lasts)	\$27.30	\$30.03
4	T16390	Switch cover assembly (while stock lasts)	\$3.70	\$4.07
5	T21766	Glass fuse 3 Amp (while stock lasts)	\$3.70	\$4.07
6	T16389	Wiring cable (while stock lasts)	\$33.90	\$37.29
CASSETTE TOILET C2 HOLDING TANK				
1	T16195	O-ring and capseal	\$2.60	\$2.86
2	T16384	Dump cap and capseal	\$6.80	\$7.48
3	T25810	Dump cap measuring cup	\$12.60	\$13.86
4	T21333	Sliding cover	\$7.88	\$8.67
5	T16175	Lipseal (for toilets produced until 15 June 2000)	\$17.90	\$19.69
5	T23721	Lipseal (for toilets produced after 15 June 2000)	\$22.10	\$24.31
6	T07524	Vent button assembly (while stock lasts)	\$5.80	\$6.38
7	T16176	Vent complete assembly	\$16.80	\$18.48
8	T20339	Vent seal	\$4.70	\$5.17
9	T23722	Complete vent assembly	\$8.40	\$9.24
9	T21322	Float arm	\$10.00	\$11.00
10	T21401	RH Holdingtank	\$87.20	\$95.92
10	T21402	LH Holdingtank	\$85.10	\$93.61

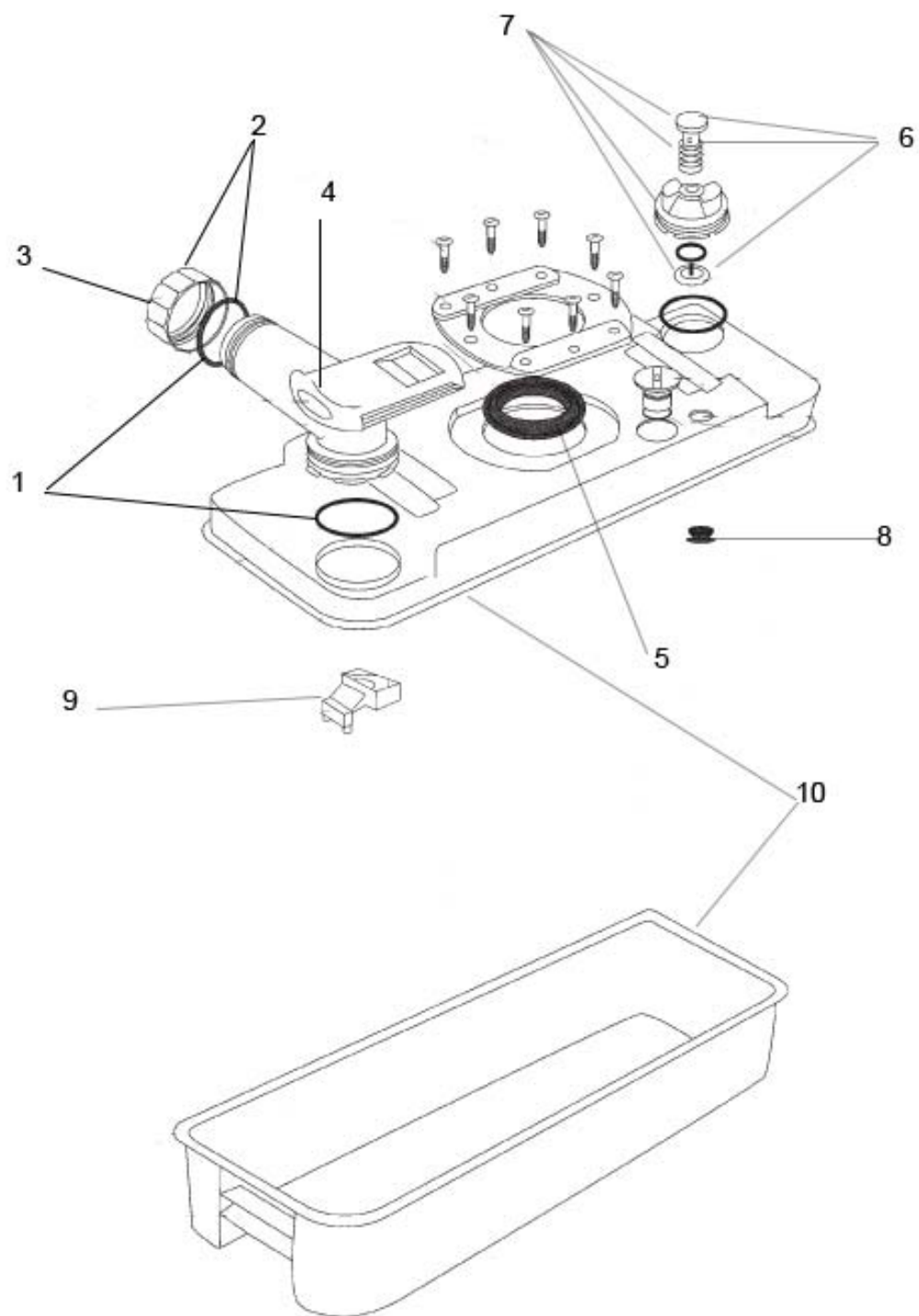
CASSETTE TOILET C2 PARTS DIAGRAM



CASSETTE TOILET C2 BENCH PARTS DIAGRAM



CASSETTE C2 TOILET HOLDINGTANK

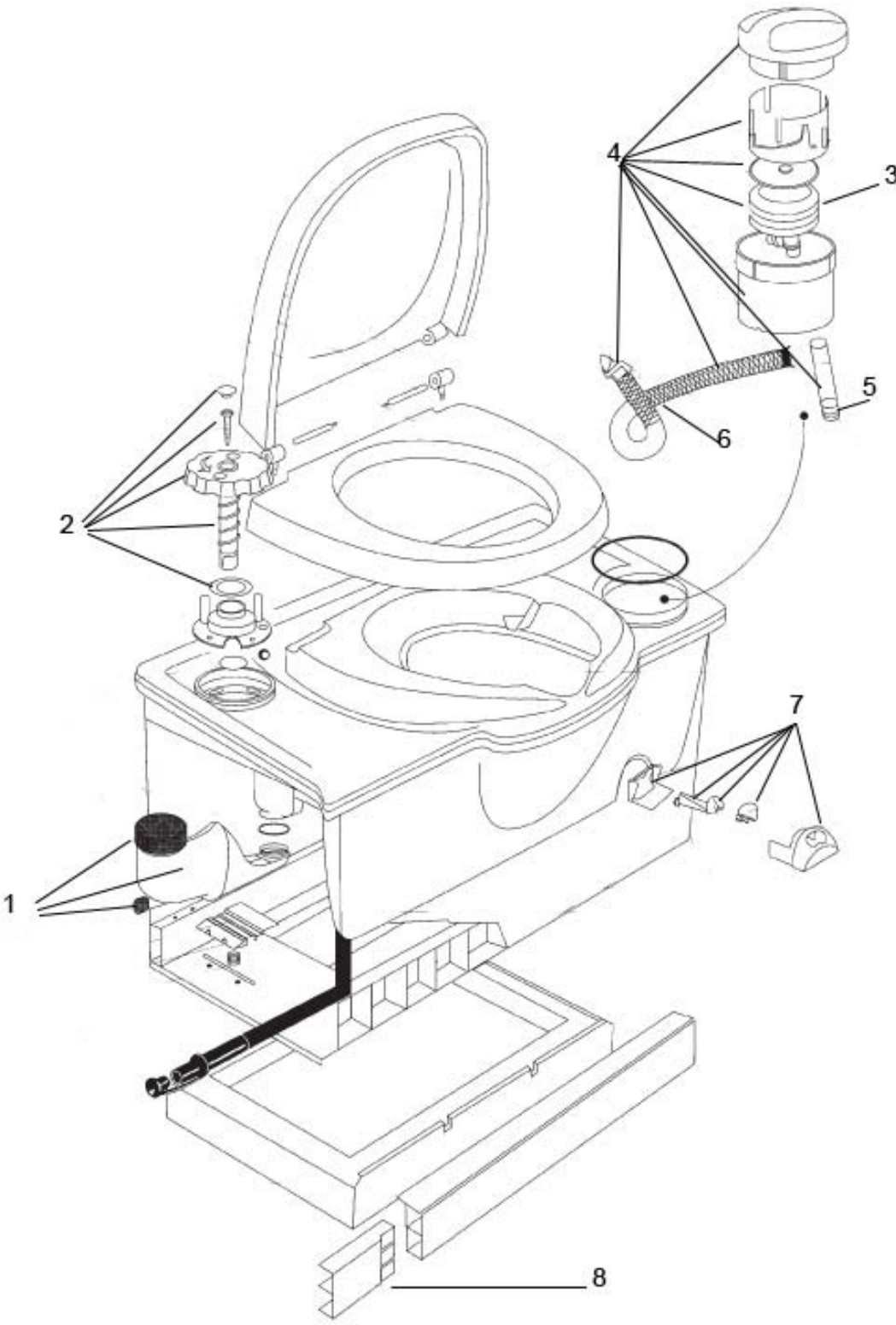




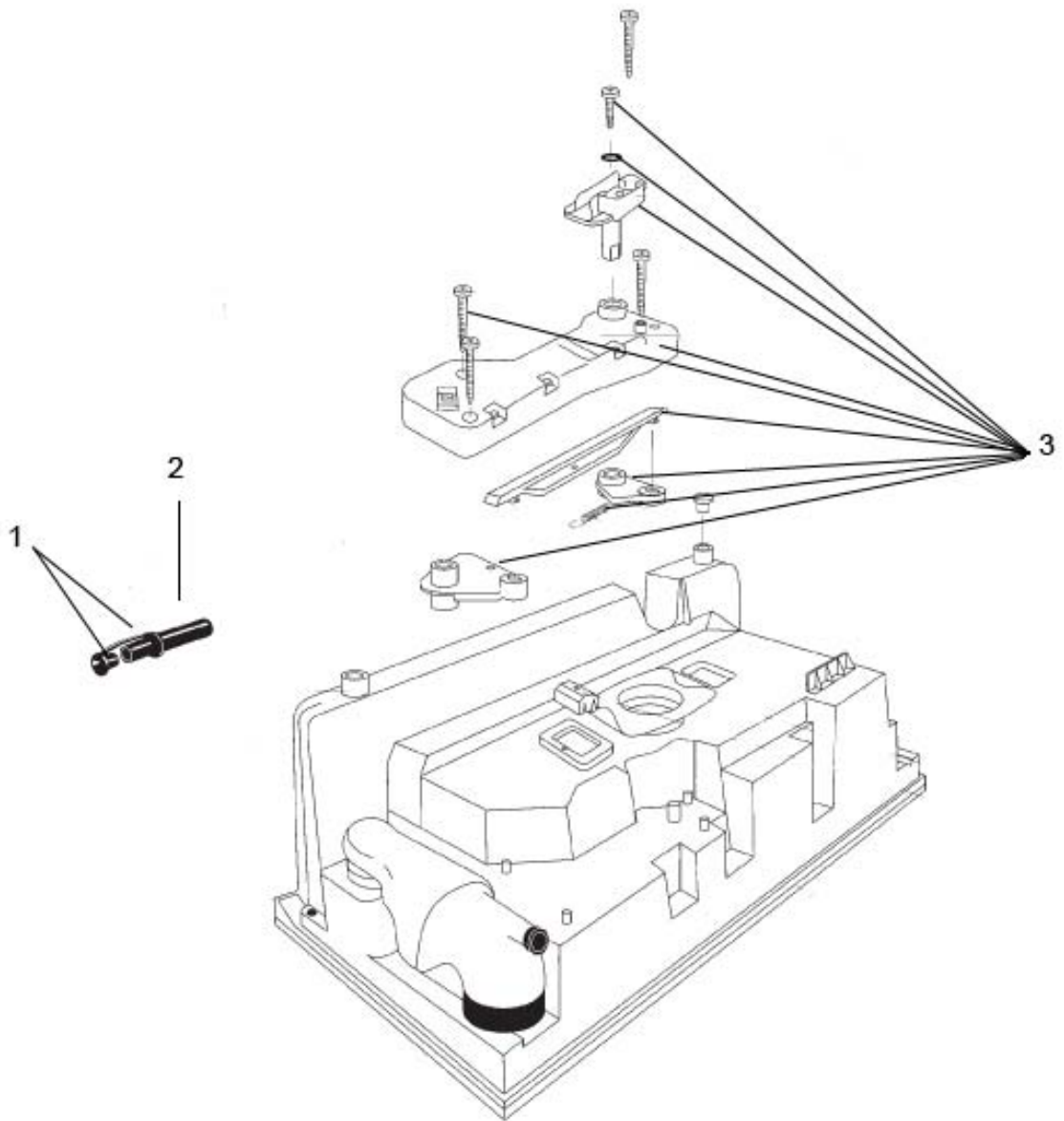
CASSETTE TOILET C4 PARTS

DIAGRAM REFERENCE NO.	PART NO.	DESCRIPTION	LIST \$ (excluding GST)	RRP (including GST)
CASSETTE TOILET C4				
1	T16381	Waterfillfunnel assembly	\$25.20	\$27.72
2	T16377	Flush knob assembly	\$18.90	\$20.79
3	T21065	Bellow	\$17.90	\$19.69
4	T20291	Flush mechanism assembly	\$55.70	\$61.27
5	T21066	Check valve body and flapper	\$5.80	\$6.38
6	T20292	Flush nozzle assembly	\$14.70	\$16.17
7	T16171	Level indicator assembly	\$12.60	\$13.86
8	T16266	Extension front panel	\$7.00	\$7.70
CASSETTE TOILET C4 BENCH				
1	T16182	Draintube assembly	\$10.50	\$11.55
2	T21370	LH Draintube	\$16.80	\$18.48
3	T21371	RH Draintube	\$16.80	\$18.48
4	T20325	Mechanism assembly	\$48.00	\$52.80

CASSETTE C4 TOILET PARTS DIAGRAM



CASSETTE C4 TOILET BENCH

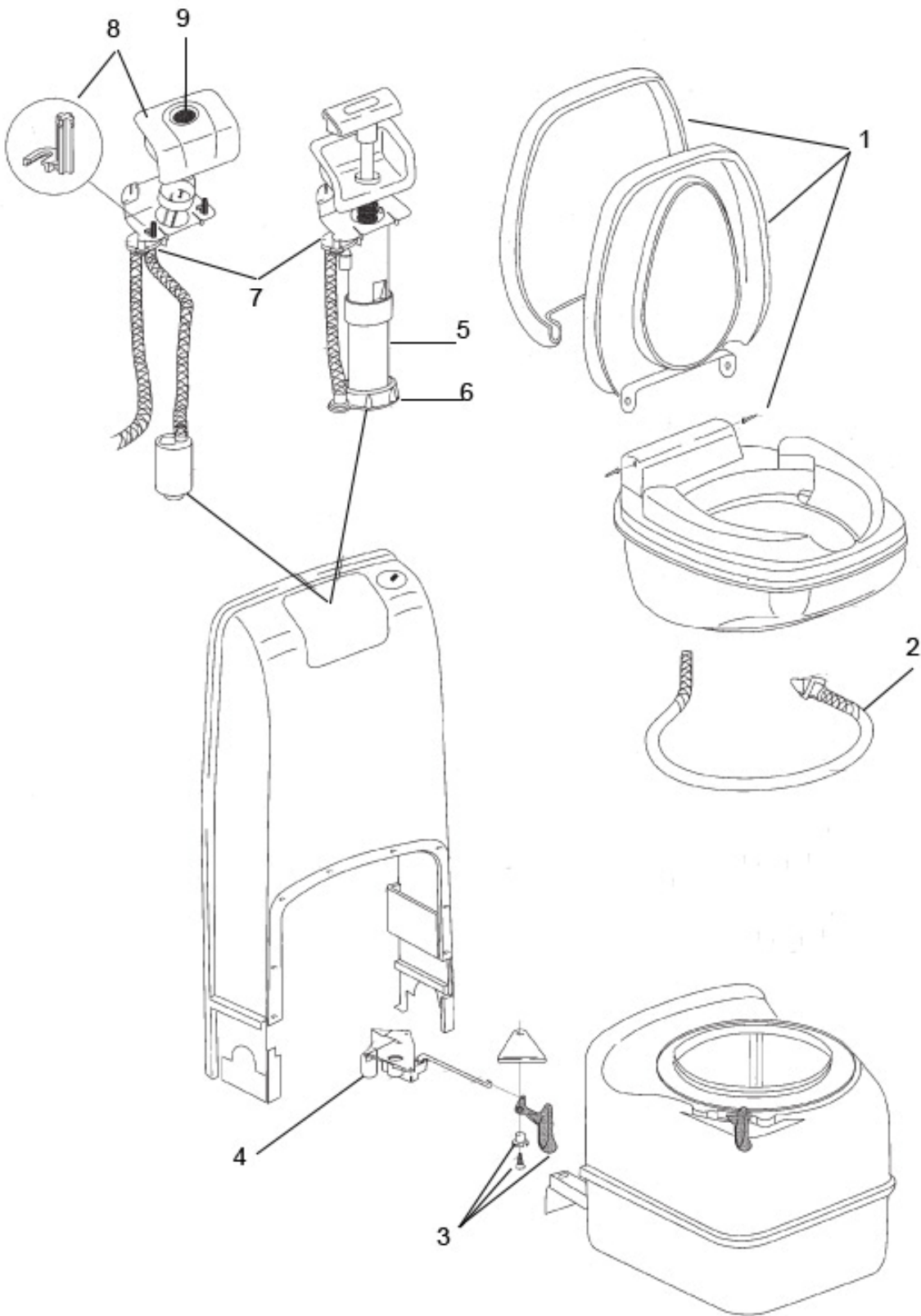




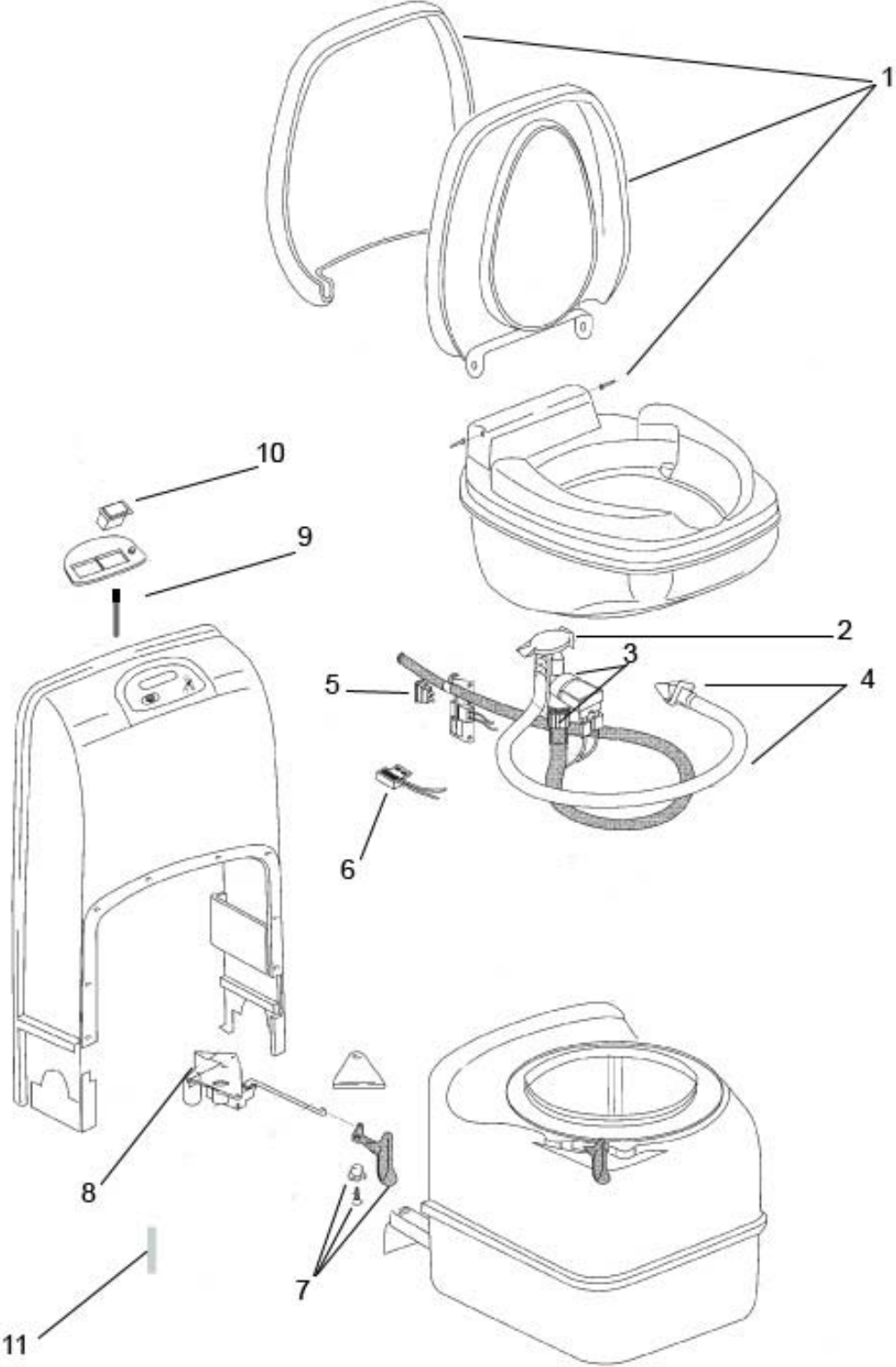
CASSETTE TOILET C-200 SERIES PARTS

DIAGRAM REFERENCE NO.	PART NO.	DESCRIPTION	LIST \$ (excluding GST)	RRP (including GST)
C-200 CW/CWE				
1	T23706	Seat and cover assembly	\$56.70	\$62.37
2	T23710	Nozzle assembly	\$12.50	\$13.75
3	T23713	Handle assembly	\$8.40	\$9.24
4	T23848	Saddle bracket	\$5.00	\$5.50
5	T23739	Manual pump	\$37.20	\$40.92
6	T23845	Pump retainer	\$20.00	\$22.00
7	T16833	Vacuum breaker	\$6.00	\$6.60
8	T23771	Bezel assembly	\$40.00	\$44.00
9	T23792	Switch	\$90.00	\$99.00
C-200 S/CS				
1	T23706	Seat and cover assembly	\$56.70	\$62.37
2	T16833	Vacuum breaker	\$6.00	\$6.60
3	T23709	Electric value assembly	\$76.70	\$84.37
4	T23710	Nozzle assembly	\$12.50	\$13.75
5	T21766	Fuse	\$3.70	\$4.07
6	T23714	Reed switch	\$22.30	\$24.53
7	T23713	Handle assembly	\$8.40	\$9.24
8	T23848	Saddle bracket	\$5.00	\$5.50
9	T23718	Led	\$29.80	\$32.78
10	T23716	Flush switch	\$15.00	\$16.50
11	T21936	Flow restrictor	\$2.60	\$2.86
C-200 HOLDINGTANK				
1	T23722	Automatic vent assembly	\$8.40	\$9.24
2	T16195	Dump cap seal/spout seal	\$2.60	\$2.86
3a	T16384	Dump cap and cap seal	\$6.80	\$7.48
3b	T25810	Dump cap measuring cup	\$12.60	\$13.86
4	T21333	Sliding cover	\$7.88	\$8.67
5	T23721	Lip seal	\$22.10	\$24.31
6	T07524	Vent button assembly	\$5.80	\$6.38
7	T23849	Tank lock clip	\$3.00	\$3.30

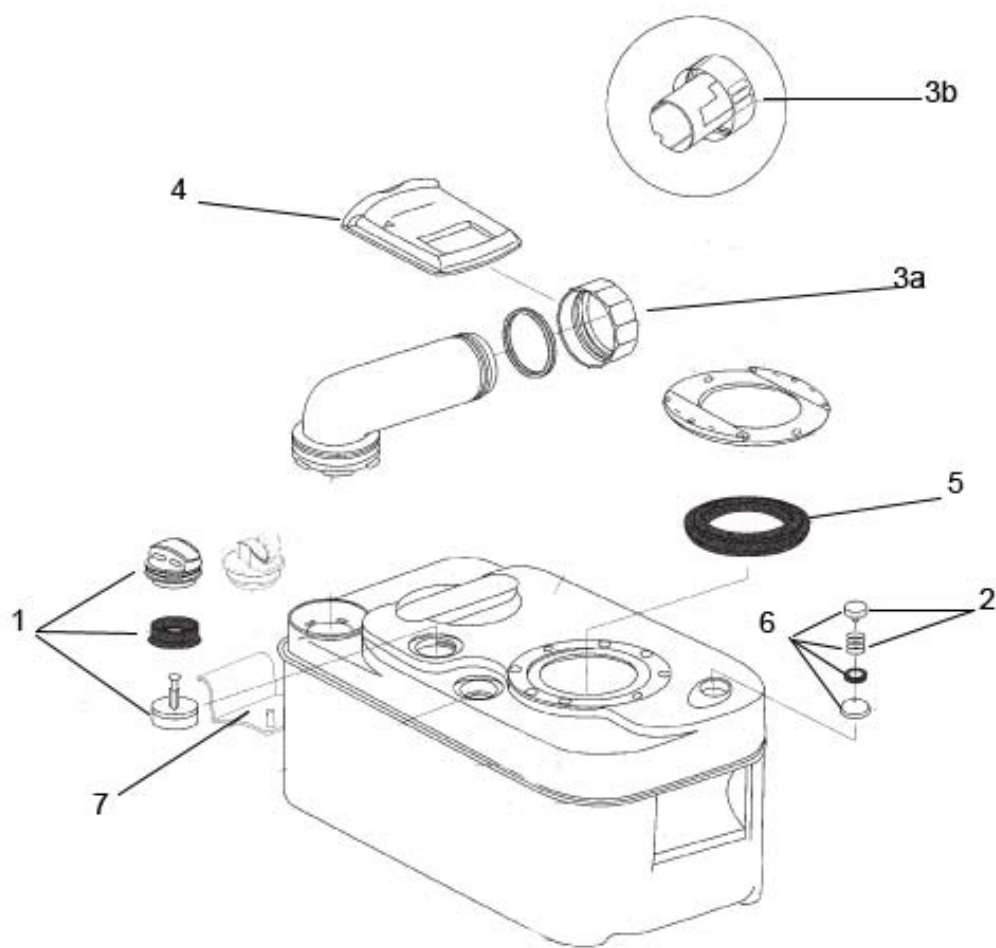
CASSETTE TOILET C-200 CW & C-200 CWE PARTS DIAGRAM



CASSETTE TOILET C-200 S & C-200 CS PARTS DIAGRAM



CASSETTE TOILET C-200 HOLDINGTANK PARTS DIAGRAM

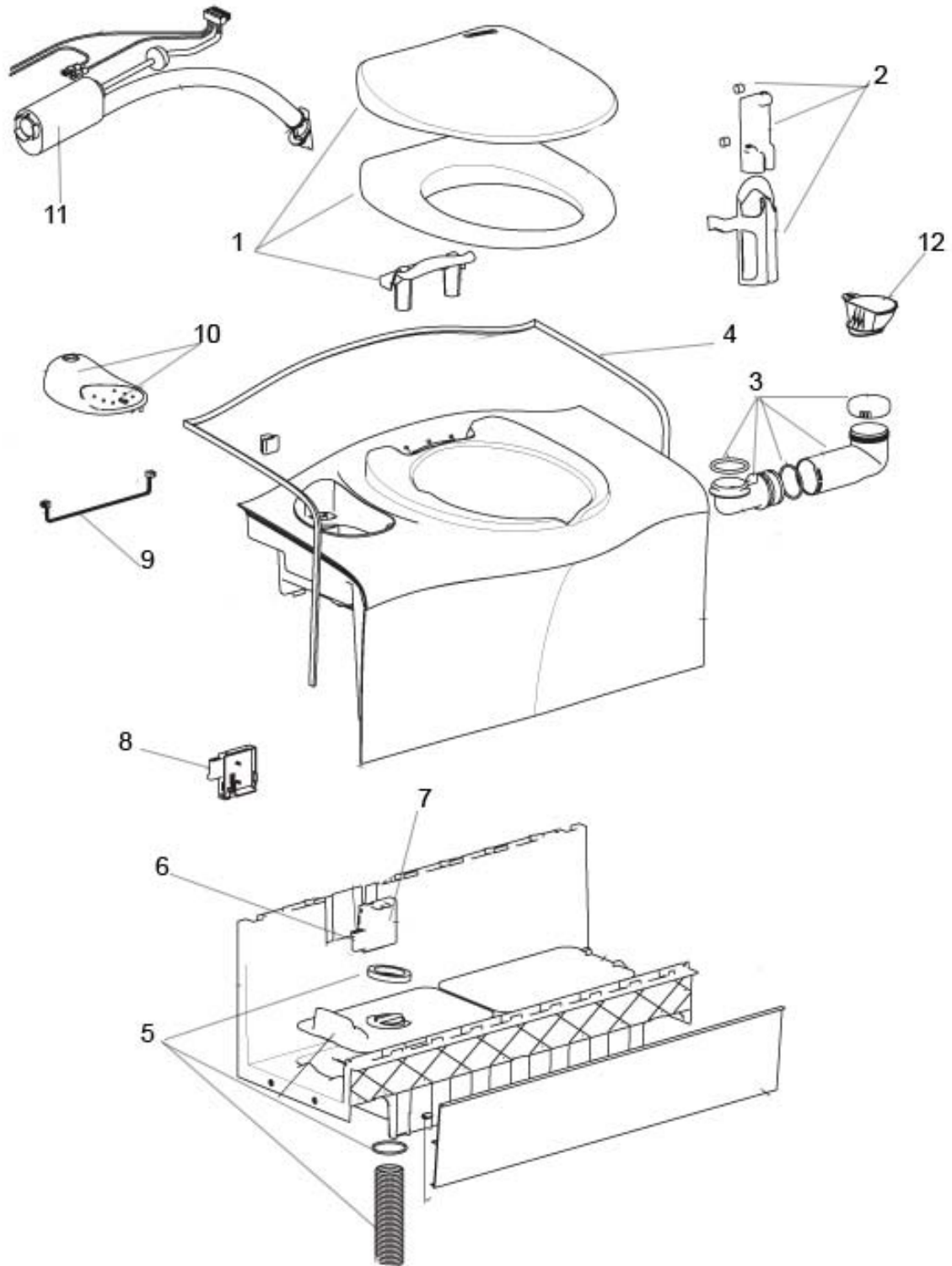




CASSETTE TOILET C-402 C/X PARTS

DIAGRAM REFERENCE NO.	PART NO.	DESCRIPTION	LIST \$ (excluding GST)	RRP (including GST)
C-402 C/X				
1	T32309	Seat and cover assembly	\$55.00	\$60.50
2	T32330	Float box assembly	\$7.00	\$7.70
3	T32315	Water fill assembly	\$12.90	\$14.19
4	T32311	Wall seal	\$7.00	\$7.70
5	T32324	Outside vent assembly	\$16.80	\$18.48
6	T21766	Fuse	\$3.70	\$4.07
7	T32316	HT Reed switch housing (C model)	\$4.50	\$4.95
7	T32317	HT Reed switch housing (X model)	\$4.50	\$4.95
8	T32330	WT Reed switch housing (X model)	\$4.50	\$4.95
9	T32319	Wire harness	\$2.40	\$2.64
10	T32320	Control panel assembly (C model)	\$35.10	\$38.61
10	T32322	Control panel assembly (X model)	\$57.27	\$63.00
11	T16374	Pump	\$112.40	\$123.64
12	T32329	Waterfill extension	\$3.30	\$3.63

CASSETTE C402 C/X TOILET PARTS DIAGRAM

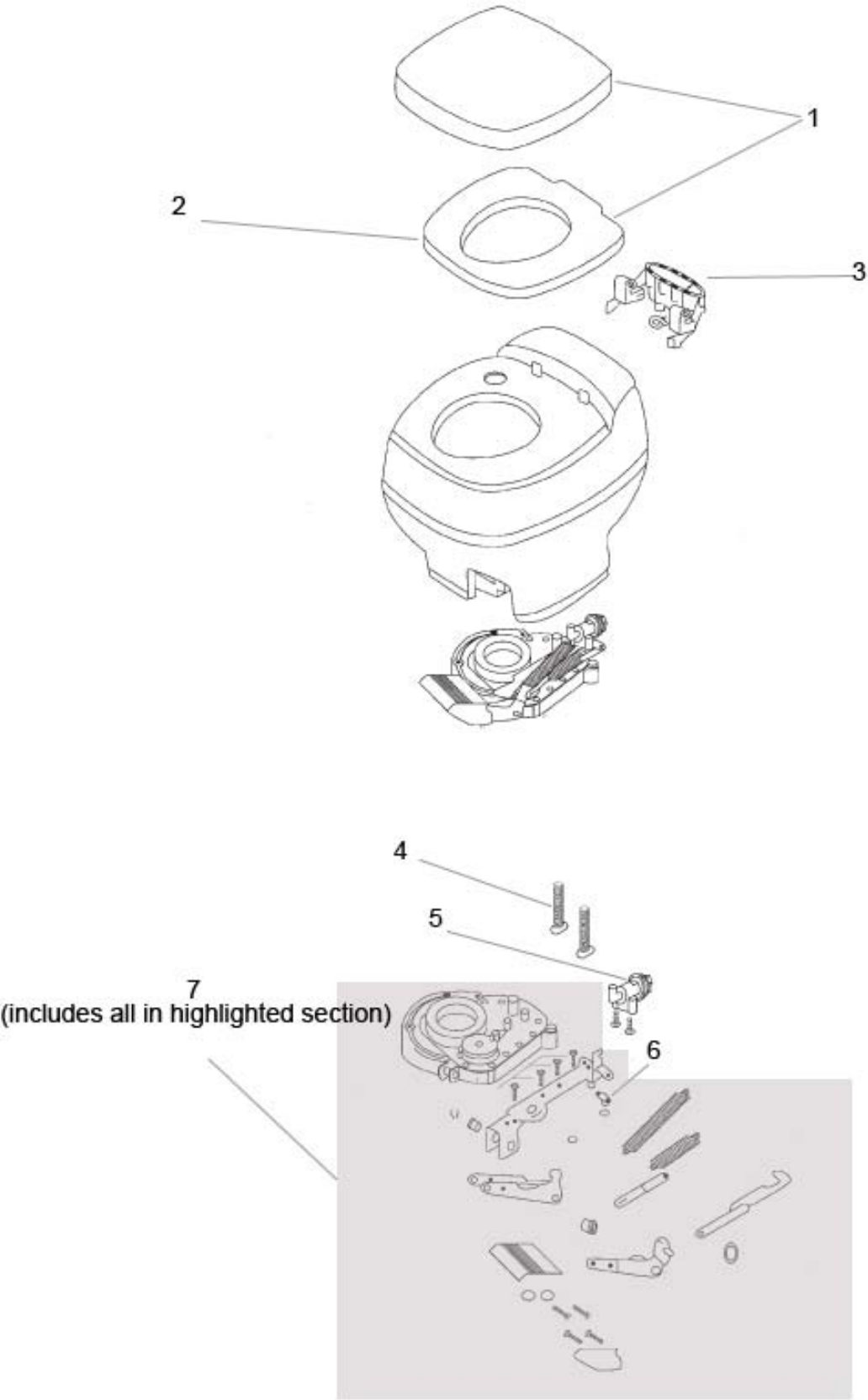




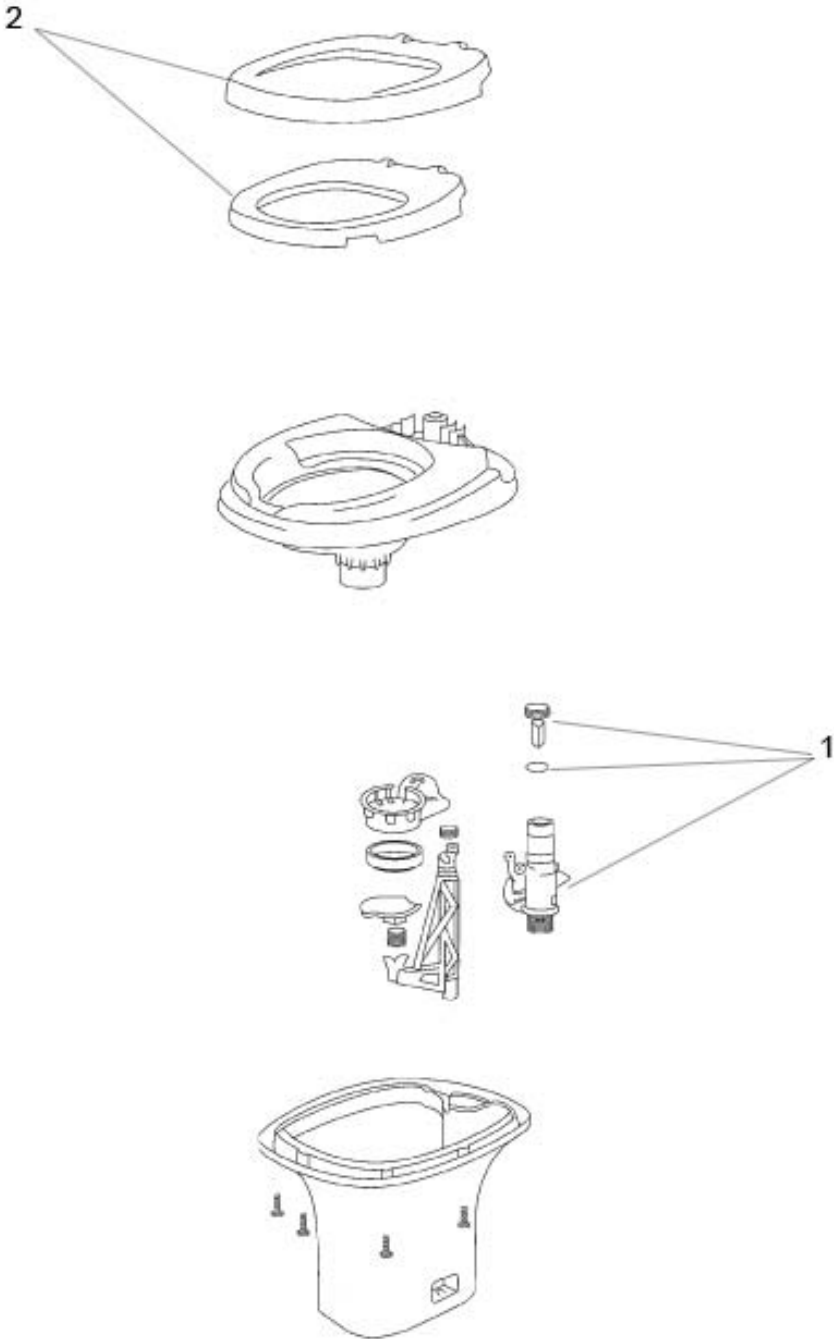
AQUA MAGIC / STARLITE / GALAXY TOILET PARTS

DIAGRAM REFERENCE NO.	PART NO.	DESCRIPTION	LIST \$ (excluding GST)	RRP (including GST)
AQUA MAGIC / STARLITE / GALAXY				
1	T20923	Seat and cover assembly	\$29.40	\$32.34
2	T16564	Seat (while stock lasts)	\$36.80	\$40.48
3	T20702	Vacuum breaker	\$20.00	\$22.00
4	T05001	Closet bolt	\$3.70	\$4.07
5	T09868	Ball valve	\$43.10	\$47.41
6	T02391	Ball valve drive arm	\$3.70	\$4.07
7	T15283I	Mechanism package	\$138.60	\$152.46
7	T08368	Mechanism repair package	\$43.10	\$47.41
7	T14622	Mechanism assembly (between March 1985 and July 1990)	\$138.60	\$152.46
7	T24203	Mechanism assembly (after July 1990)	\$138.60	\$152.46
AQUA MAGIC IV				
1	T13168	Water valve assembly	\$17.90	\$19.69
2	T33080	Seat and cover assembly	\$44.10	\$48.51

AQUA MAGIC / STARLITE / GALAXY TOILET PARTS DIAGRAM



AQUA MAGIC IV TOILET PARTS DIAGRAM

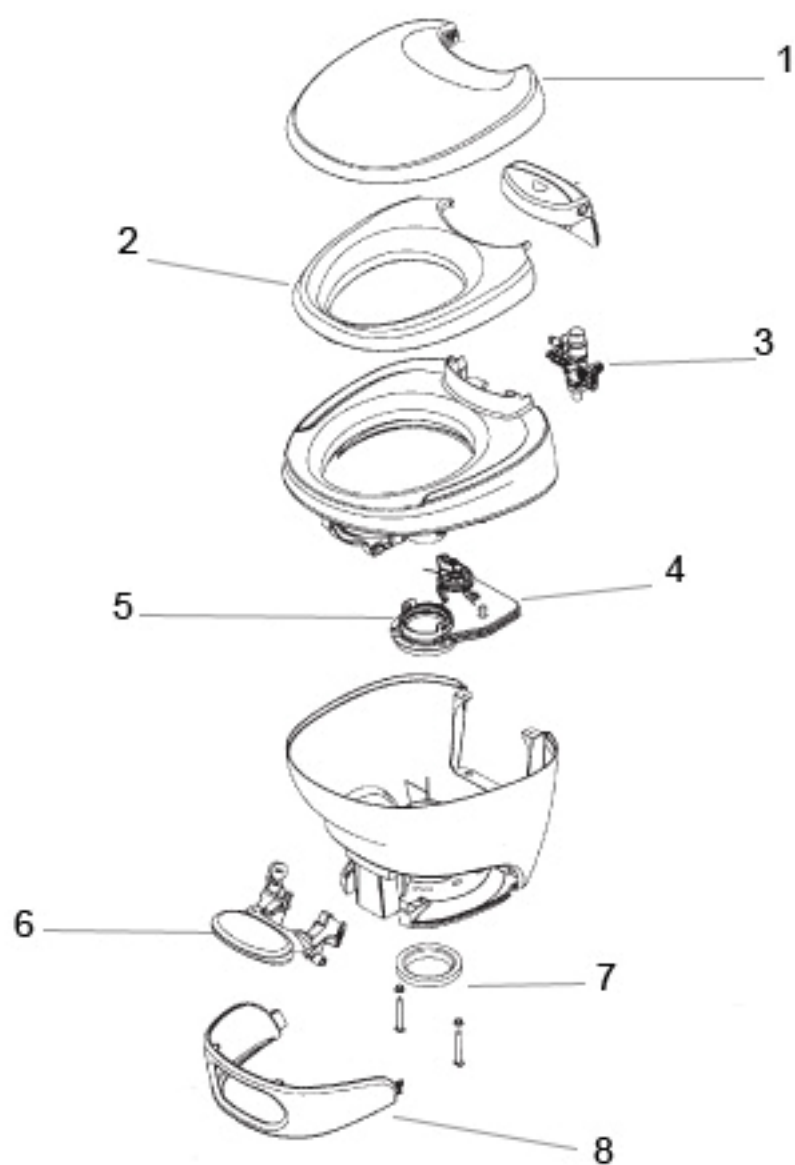




BRAVURA PARTS

DIAGRAM REFERENCE NO.	PART NO.	DESCRIPTION	LIST \$ (excluding GST)	RRP (including GST)
BRAVURA				
1	T31108	Seat cover	\$32.00	\$35.20
2	T31109	Seat	\$26.00	\$28.60
3	T31113	Water module	\$16.00	\$17.60
4	T31111	Mechanism assembly	\$38.00	\$41.80
5	T31112	Mechanism seal	\$25.00	\$27.50
6	T31114	Pedal	\$14.00	\$15.40
7	T31115	Flange seal and bolts	\$15.00	\$16.50
8	T31117	Shroud (high model)	\$12.00	\$13.20
8	T31118	Shroud (low model)	\$11.00	\$12.10

BRAVURA TOILET PARTS DIAGRAM

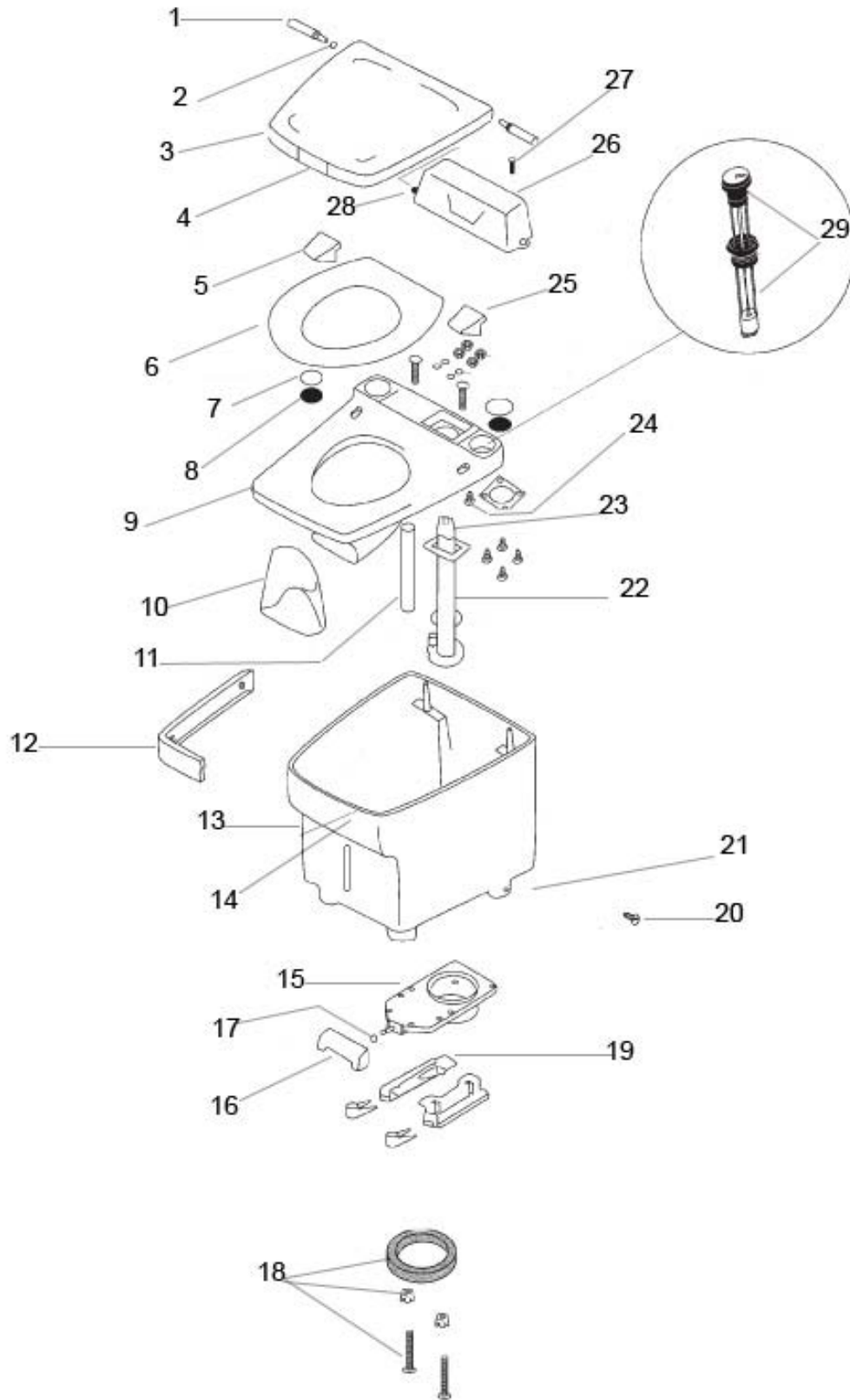




ELECTRA MAGIC PARTS

DIAGRAM REFERENCE NO.	PART NO.	DESCRIPTION	LIST \$ (excluding GST)	RRP (including GST)
ELECTRA MAGIC				
1	T33263	Hinge pin	\$4.70	\$5.17
2	T33264	Retaining pin	\$2.60	\$2.86
3	T33092	Cover assembly	\$50.40	\$55.44
4	T33284	Seal	\$4.70	\$5.17
5	T03953	LH Hinge	\$3.70	\$4.07
6	T33086	Seat and bumper	\$44.10	\$48.51
7	T03936	Cap	\$2.60	\$2.86
8	T33281	Splash guard	\$2.60	\$2.86
9	T33091	Cover and bowl	\$104.50	\$114.95
10	T33271	Vinyl skirt	\$5.80	\$6.38
11	T33271	Inlet tube	\$5.80	\$6.38
12	T12938	LH Base molding	\$6.80	\$7.48
13	T33104	Main housing	\$225.80	\$248.38
14	T33285	Main housing seal	\$8.90	\$9.79
15	T12836	Slide valve	\$22.00	\$24.20
16	T03911	Handle	\$3.70	\$4.07
17	T03913	Retaining ring	\$2.60	\$0.88
18	T12524	Closet flange assembly	\$3.70	\$4.07
19	T08975	Mounting bracket	\$13.70	\$15.07
20	T33265	Screw	\$2.60	\$2.86
21	T05248	RH Base molding	\$8.40	\$9.24
21	T12938	LH Base molding	\$6.80	\$7.48
21	T12979I	LH Base molding with hole	\$6.80	\$7.48
22	T03950	Pump and motor 12V (while stock last)	\$220.50	\$242.55
22	T13310	Pump without motor	\$108.20	\$119.02
23	T05780	Motor 12V	\$130.20	\$143.22
23	T20799	Motor 24V	\$135.50	\$149.05
24	T33268	Gasket	\$3.70	\$4.07
25	T03905	RH Hinge	\$3.70	\$4.07
26	T20976	Motor cover assembly	\$6.00	\$6.60
27	T33265	Screw	\$2.60	\$2.86
28	T12031	Switch	\$8.40	\$9.24
29	T24615	Level indicator assembly	\$43.10	\$47.41

ELECTRA MAGIC TOILET PARTS DIAGRAM





AQUA MAGIC & ELECTRA MAGIC ADDITIONAL OPTIONS

PART NO.	DESCRIPTION	LIST \$ (excluding GST)	RRP (including GST)
AQUA MAGIC & ELECTRA MAGIC ADDITIONAL OPITONS			
T01664	Cap and wire	\$23.10	\$25.41
T01639	Bayonet ring	\$4.20	\$4.62
T02593	Bumper hose adaptor	\$17.30	\$19.03
T02283	Garden hose adaptor	\$27.30	\$30.03
T01665	Bumper hose adaptor curved	\$21.00	\$23.10
T03790	Termination kit female	\$51.50	\$56.65
T01959	Adaptor thread on	\$10.00	\$11.00
T01659	Adaptor bond on	\$9.50	\$10.45
T03791	Termination kit male	\$51.50	\$56.65
T06444	Dump point 100mm	\$63.00	\$69.30
T06444	Dump point 90mm	\$63.00	\$69.30
T01646	Single collector	\$39.90	\$43.89
T03940	Sump	\$39.90	\$43.89
T02621	Flange F.P.T.	\$16.80	\$18.48
T02620	Flange M.P.T.	\$16.80	\$18.48
T08647	Nipple 6"	\$25.20	\$27.72
T08529	Nipple 8"	\$27.30	\$30.03
T08648	Nipple 10"	\$34.70	\$38.17
T01457	Seal valve adaptor	\$5.80	\$6.38
T08857	Seal cap and wire	\$3.70	\$4.07
T08706	Slide valve ABS outside	\$74.60	\$82.06
T06015	Slide valve complete inside EM	\$69.30	\$76.23
T03913	Slide valve circlip	\$2.60	\$2.86
T03911	Slide valve handle	\$3.70	\$4.07
T12836	Slide valve (no handle)	\$64.10	\$70.51
T06366	Thread on adaptor (cut down)	\$27.30	\$30.03
T08737	Screw 1/4" x 13/8"	\$2.60	\$2.86
T08681	S-F-V bond on with cap, wire and bayonet ring	\$109.20	\$120.12
T01436	Seal S-E-V	\$3.70	\$4.07
T01662	Adaptor glass on	\$10.50	\$11.55
T01634	Perimeter seal S-E-V	\$3.70	\$4.07
T01684	Retaining plate S-E-V	\$2.60	\$2.86
T01685	Spring clip S-E-V	\$2.60	\$2.86
T01784	Shaft Assy SE-V	\$10.50	\$11.55
T12524	Flange seal	\$3.70	\$4.07
T02620	House hold flange	\$23.10	\$25.41
T03798	Adaptor female 3"	\$11.60	\$12.76
T03799	Adaptor male 3"	\$13.70	\$15.07
T03827	Repair kit S-E-V S/sted	\$38.90	\$42.79
T05223	Vent kit EM	\$54.60	\$60.06
T08308	Lip seal AM 1020	\$5.80	\$6.38
T09872	Repair kit S-E-V all plastic	\$22.10	\$24.31



CEQUENT™

MANUFACTUER IMPORTER DISTRIBUTOR

Thetford
Hayman Reece
Rola

CONTACT

Customer Service

Business Hours:	8:00am – 5:00pm
Phone:	03 9797 3260
Fax:	03 9797 3299
Email:	info@thetford.com.au
Postal address:	PO Box 4050 Dandenong South, Victoria 3164
Business address:	20-50 Waterview Close Dandenong South, Victoria 3164