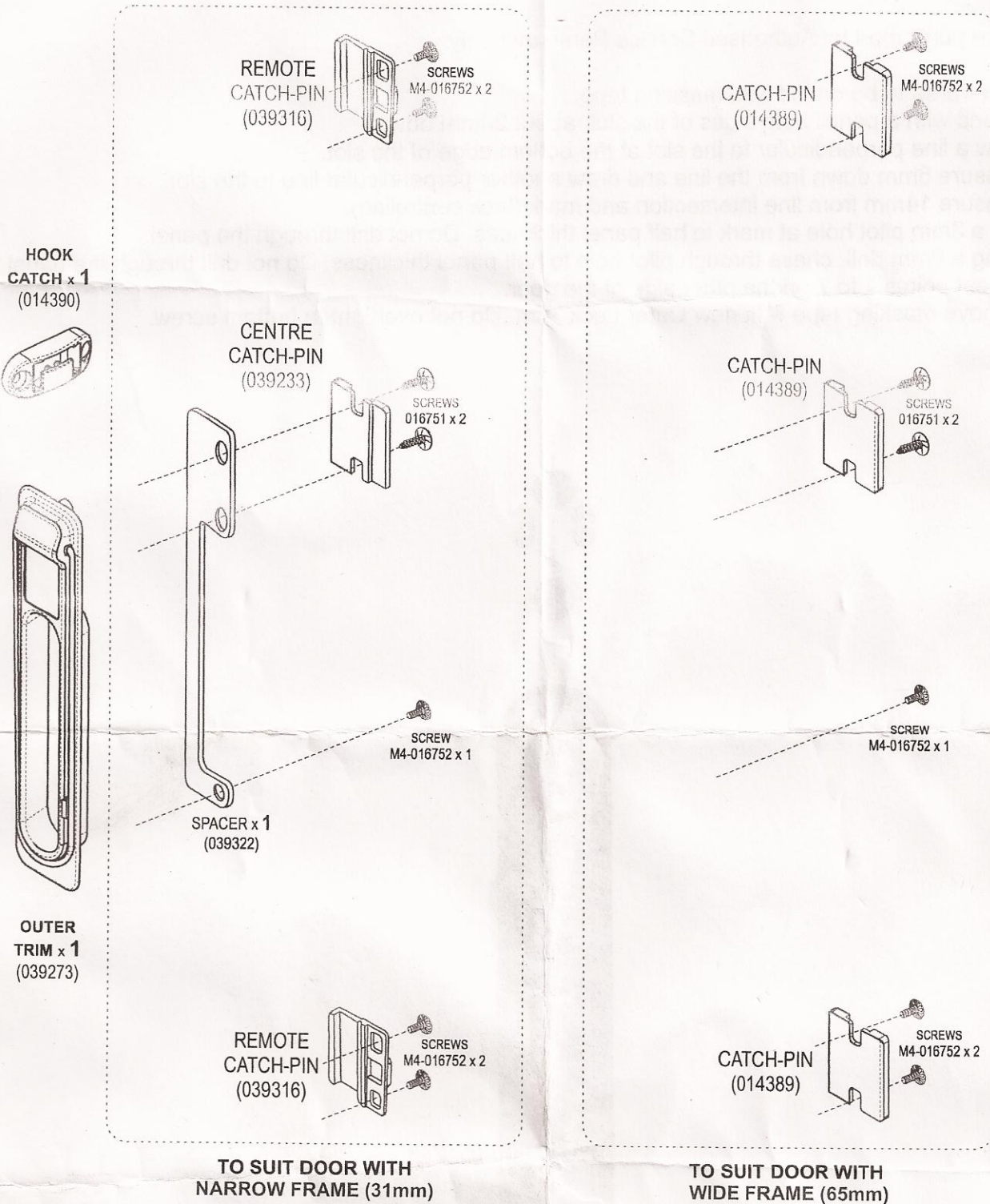


# CAMEC MAIN DOOR CATCH-PIN AND OUTER TRIM PARTS KIT



## INSTRUCTIONS

1. Mark positions of catch-pins with pencil before removing, as they are adjustable.
2. Replace remote catch-pins - like-for-like, as there are different catch-pins depending on whether the door frame is narrow or wide.
3. Remove main catch-pin and Outer Trim. If Outer Trim has 2 mounting holes, and can't be re-used because it is damaged, an extra mounting hole needs to be drilled to suit the new Outer Trim  
- see drilling instructions on page 2.
4. Install Outer Trim and Spacer (039322). (Spacer is only used with narrow framed doors.)
5. Make sure catch-pins line up with centre of Security door latches. If not adjusted correctly, the Security Door latches will not disengage from catch-pins.



## Drilling Instructions to add a lower mounting hole when upgrading Main Door Outer Lock Trim

Note: To be performed by Authorised Service Personnel only.

1. Cover area to be drilled with masking tape.
2. Extend with a pencil both sides of the slot, about 20mm down.
3. Draw a line perpendicular to the slot at the bottom edge of the slot.
4. Measure 6mm down from the line and draw another perpendicular line to the slot.
5. Measure 14mm from line intersection and mark (lock centreline).
6. Drill a 3mm pilot hole at mark to half panel thickness. Do not drill through the panel.
7. Using a 9mm drill, chase through pilot hole to half panel thickness. Do not drill through the panel.
8. Repeat points 1 to 7 on the other side of the door.
9. Remove masking tape & fit new Outer Lock Trim. Do not overtighten bottom screw.

