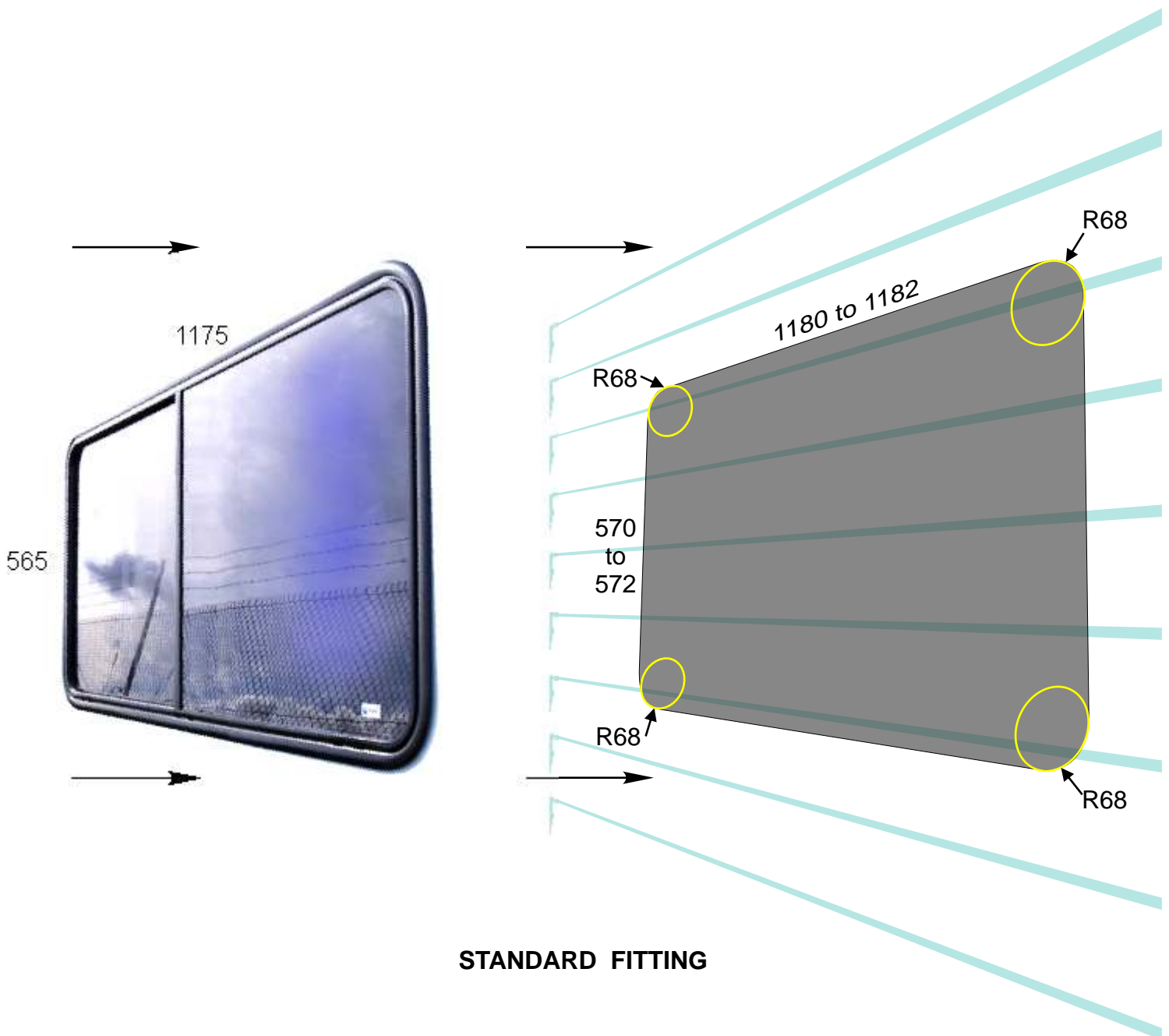




CAMEC[®]

**FITTING INSTRUCTIONS
FOR
CAMEC SLIMLINE SLIDER**

1. To install Camec Slimline Slider correctly please follow these Fitting Instructions.
2. All cut-outs to be 6 mm +/- 1 mm larger than nominal sizes on ALL windows.
3. Example: Standard Fitting of Clamp Ring:
565 x 1175 Camec 4RC Side Sliding Window requires a cut-out size of 570 to 572 High x 1180 to 1182 Wide, with 68 mm radiuses cut in each corner.
4. Cut-outs to be square and parallel within 1-2 mm.



Using these Instructions along with the correct Clamp Ring, to suit the wall thickness, the completed Installation should be able to be carried out quickly and accurately.



Place slider front side down on a clean non-abrasive surface. Bubblewrap was used in above photo. Place clamping in position on the window - making sure it's the right way up. With the clamp ring join at the top of the window drill 2 holes using the clamp ring as a template.



Anchor clamping lightly with 2 screws. Do NOT over tighten at this stage. Use a 2.5 mm drill bit to drill holes. Use a No. 6 PAN HEAD - 12 mm long PHILLIPS screw, or a No. 6 x 12 mm Tek Screw.



Clamping at the top of the window now anchored securely.

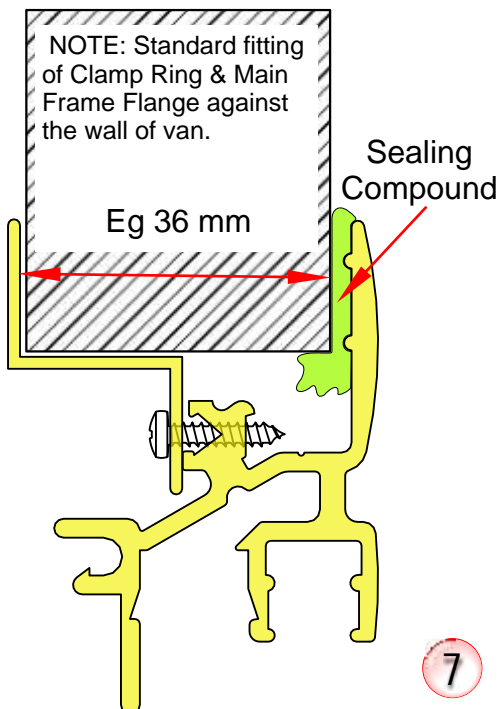
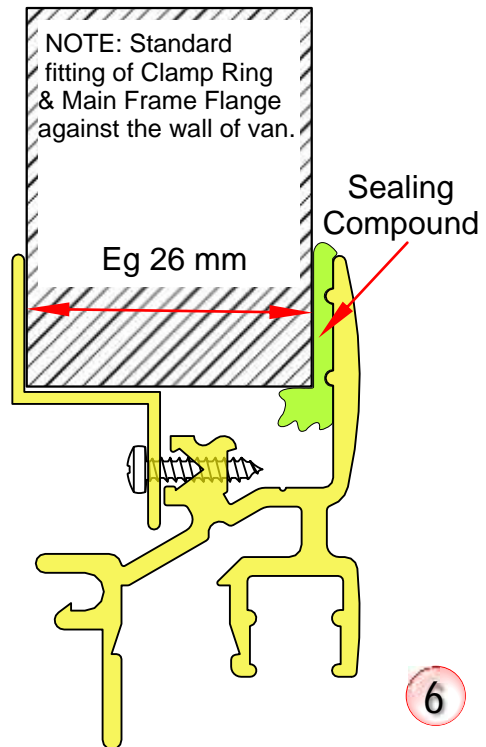
Anchor clamping at the bottom of the window in the same manner by drilling mainframe and anchoring with 2 screws.



Make sure clamping is in position with the main-frame and that it has not moved out of position. Use free hand on clamping and mainframe to verify position.



With the clamping still positioned on the window - drill the rest of the holes into the mainframe.



Drill holes all the way around the window until all the holes are drilled out.



Remove anchoring screws.

7 *Take Care!* Only drill through the first section of the extrusion. Do NOT drill further down.



Remove clamping from window.



Clean window of aluminium swarf by blowing with compressed air.



Clean dust and dirt from around the opening where the window is going to be fitted. Wipe window main frame flange with a dry cloth to remove dust. Apply sealing compound to flange. Foam tape is used in this case in the above picture.



For sealing compound use:
1). Butyl Rubber Tape.
2). Double sided or one sided foam tape.
3). 100% silicone rubber sealant.
4). A suitable combination of the above.



Apply Sealing Compound (in this case foam tape) all the way around the flange. Mid-Bottom of the window is a suitable starting point. Take particular care around the four radius corner. Cut off tape end at the starting point to form a continuous seal. Join foam tape, cleanly, as above.



Position window in opening on the wall of the van where it is going to be installed. Do this from the outside of the van.



With the bottom of the window in place, gently push the top of the window in position in the opening.



One person needs to hold window from the outside of the van.



This T section of plastic extrusion may need to be cut out for the clamping to be positioned flat against the plywood.



Top of window. T-section cut out the same height as the clamping.



Bottom of window. T-section cut out the same height as the clamping.



Position clamping around the window in the same as when holes were drilled.

Plastic T-Joiner is used to join plywood panels together. It can be anywhere along the width of the window.



Make sure clamping aligns properly with Mainframe



Line up holes in clamping with Mainframe



Install clamping in existing holes with a:
No. 6 PAN HEAD - 12 mm long
PHILLIPS screw. Stainless Steel
or No. 6 x 12 mm Tek screw

Take Care! Join in Clamp Ring at Top of Window



Start with the end screws and the clamping joint at the top of the window.

Note! When using silicone bedding, do not fully tighten clamping until silicone has dried for a while. Over tightening when silicone is fresh WILL cause leaks.



Fasten 2 bottom screws.
Window is now secured.
The outside can now be allowed to sit in place.
The rest of the screws can be installed from the inside. Remove excess silicone or any other be sealing compound - general cleanup.

FINISHED PRODUCT

