

# THETFORD

## ACCOMPANIES YOU.

### Owner's Manual

For Australian refrigerator models:

N304M.3 (93 liter 3-way operation with LP gas, 240 volts AC, or 12 volts DC )

N404M.3 (128 liter 3-way operation with LP gas, 240 volts AC, or 12 volts DC )

N504M.3 (164 liter 3-way operation with LP gas, 240 volts AC, or 12 volts DC )



**Improper installation, adjustment, alteration, service or maintenance can cause personal injury or property damage. Refer to this manual. For assistance or additional information, contact a qualified installer, service agency, or the LP gas supplier.**

#### **FOR YOUR SAFETY**

**Do not store or use gasoline or other flammable vapors and liquid in the vicinity of this or any other appliance.**

#### **FOR YOUR SAFETY**

**If you smell gas:**

- 1. Open windows.**
- 2. Don't touch electrical switches.**
- 3. Extinguish any open flame.**
- 4. Immediately call your gas supplier.**

Thetford Australia  
41 Lara Way  
Campbellfield, VIC 3061

Thetford Customer Support  
Telephone: (61) 03-9358-0700  
Fax: (61) 03-9357-7060  
Web Site: [www.thetford.com.au](http://www.thetford.com.au)

---

Part No. 636525D (10/16/2014)

## Table of Contents

---

For defined warranty terms, please see the one page warranty statement included in the product information packet.

Safety Awareness.....	2
Safety Instructions.....	3
About Your Refrigerator.....	4
Storage volume.....	4
Leveling.....	4
Food compartment.....	4
Flip-up shelf.....	4
Door bins.....	4
Freezer compartment.....	4
Operation during travel.....	5
Door latch for travel and storage.....	5
Operating the Refrigerator Controls.....	5
Control Panel.....	5
Ignition - LP gas operation.....	6
Do a test of the LP gas safety valve.....	6
Start up - AC operation.....	6
Start up - DC operation.....	6
Shut down.....	6
DC Operation Precautions.....	7
DC Operation Guidelines.....	7
Effects of High Altitude on LP Gas Operation.....	7
Effects of Freezing Temperatures on Refrigerator Operation.....	7
Refrigerator Care Checklist.....	8
Defrosting.....	8
Cleaning.....	9
Drip tray.....	9
Door Sealing.....	9
Refrigerator Maintenance Checklist.....	10
Refrigerator Storage.....	10
Refrigerator Maintenance.....	11
LP Gas flame appearance.....	11
Remove and clean the burner orifice.....	11
Remove the Refrigerator.....	12
Reinstall the Refrigerator.....	13
Replacement Parts.....	13
Wiring Pictorial.....	14

## Safety Awareness

---

Read this manual carefully and understand the contents before you use the refrigerator.

Be aware of possible safety hazards when you see the safety alert symbol on the refrigerator and in this manual. A signal word follows the safety alert symbol and identifies the danger of the hazard. Carefully read the descriptions of these signal words to fully know their meanings. They are for your safety.



**This signal word means a hazard, which if ignored, can cause dangerous personal injury, death, or much property damage.**



**This signal word means a hazard, which if ignored, can cause small personal injury or much property damage.**

## Safety Instructions

---



- The storage of flammable materials behind or around the refrigerator creates a fire hazard. Do not use the area behind the refrigerator to store anything, especially flammable materials (gasoline, cleaning supplies, etc.)
- Do not remove the round ground prong from the refrigerator AC power cord. Do not use a two prong adapter or extension cord on the AC power cord. If the AC power cord is damaged, it must be replaced by a qualified Recreational Vehicle dealer or an authorized Thetford Service Center in order to avoid a hazard.
- A circuit overload can result in an electrical fire if the wires and/or fuses are not the correct size. Either use the wire and fuse sizes as written in the "Installation Manual" or refer to your local codes for the correct wire and fuse sizes.
- Incorrect installation, adjustment, change to, or maintenance of this refrigerator can cause personal injury, property damage, or both. Have service and maintenance work done by your dealer or by a Thetford authorized Service Center.
- Disconnect both the AC and DC power sources before doing any maintenance work on the refrigerator. All service work on this refrigerator must be done by a qualified service technician.
- Do not bypass or change the refrigerator's electrical components or features.
- This refrigerator is not intended for use by children or by infirm persons unless they have been sufficiently supervised by a responsible person to make sure that they can use the refrigerator safely.
- Young children should be supervised to make sure that they do not play with the refrigerator.
- When you discard an appliance, remove all doors to prevent accidental entrapment and suffocation.
- Do not spray liquids near electrical outlets, connections, or the refrigerator components. Many liquids are electrically conductive and can cause a shock hazard, electrical shorts, and in some cases fire.
- Do not use electrical appliances inside the food storage compartment of the refrigerator unless they are of the type recommended by the manufacturer.
- At regular intervals, make sure that the refrigerator flue the burner, the vent areas, and the ventilation air pathway between the vents are completely free from any flammable material or blockage. After a period of storage, it is especially important to check these areas for any flammable material or blockage caused by animals.



- The refrigerator cooling system is under pressure. Do not try to repair or to recharge a defective cooling system. The cooling system contains sodium chromate. The breathing of certain chromium compounds can cause cancer. The cooling system contents can cause severe skin and eye burns, and can ignite and burn with an intense flame. Do not bend, drop, weld, move, drill, puncture, or hit the cooling system.



- The rear of the refrigerator has sharp edges and corners. To prevent cuts or abrasions when working on the refrigerator, be careful and wear cut resistant gloves.

## About Your Refrigerator

---

### Storage Volume:

This refrigerator is made to store fresh and frozen foods and for making ice.

	N304M	N404M	N504M
Total capacity	93 L	128 L	164 L
Freezer capacity	11 L	20 L	20 L
Food compartment capacity	82 L	108 L	144 L

### Leveling:



The refrigerator is made to operate within 3° off level side-to-side and 6° off level front-to-back (as looking at the front of the refrigerator). Operating it at more than these limits can cause damage to the cooling system and create a risk of personal injury or property damage. Make sure the vehicle is level before you operate the refrigerator.

### Operation during travel:

While the refrigerator should be level when the vehicle is stopped, performance during travel is not usually effected. Do not operate the refrigerator on LP gas while travelling. This can reduce performance, cause an unstable flame, or extinguish the flame.

### Food compartment:

Ignite or start up the refrigerator and let it cool for eight hours before loading with food. If the refrigerator does not start to cool down after about two hours, contact your dealer or an authorized Thetford Service Center.

For the best cooling performance:

- Let air move freely inside the entire food compartment.
- Do not cover the shelves with plastic, paper, etc.

To decrease the amount of ice that collects on the cooling fins:

- Cover all liquids and moist foods.
- Let all hot foods cool before putting them in the refrigerator.
- Do not open the door any longer than necessary.

### Flip-up shelf (N404M / N504M):

The flip-up shelf supplies a space to store tall bottles. To use the flip-up shelf, lift the center of the shelf and fold it up against the inside wall of the refrigerator.

### Door Bins:

You may put the door bins [52] of the fresh food compartment in a location that best meets your need (See Art01114). To remove the bins, lift them over the locator and pull them forward. To install the bins, push them onto the locator.



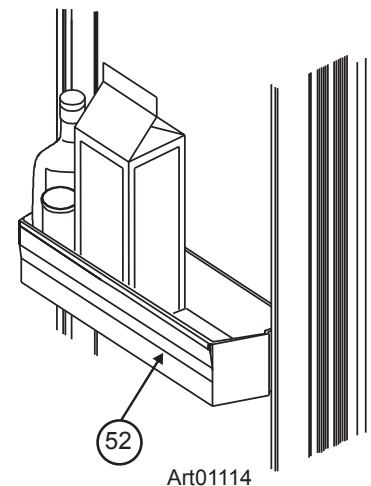
*Do not wash the door bins in a dishwasher. The door bins are not dishwasher safe.*

### Freezer compartment:

The freezer compartment is made to keep pre-frozen food frozen and not to quick freeze food. Keep pre-frozen foods in the freezer compartment.



*Do not put other items on the ice tray while the water is freezing. The water freezes more rapidly if the thermostat is at the coldest temperature setting.*



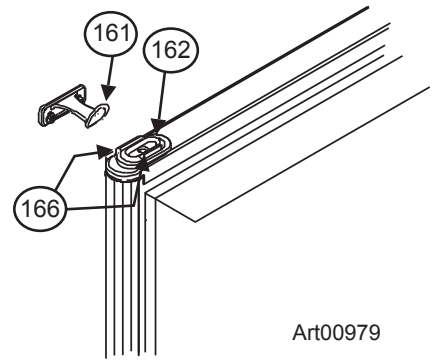
**Door latch for travel and storage:**

During travel, the door latch prevents the door from opening. There are no chains, slides, or any devices that you must engage.

During storage, the door latch prevents the door from completely closing. Use it to prevent odors when the refrigerator is shut down for a long period of time.

To use the door latch for storage (See Art00979):

- Open the door just so the door latch [161] is between the ribs [166] of the latch plate [162].

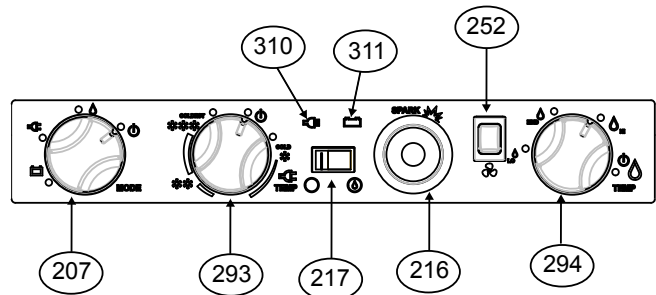


Art00979

**Operating the Refrigerator Controls**

**Control panel: (See Art02457)**

Selector switch.....	207
AC thermostat.....	293
Flame meter.....	217
Piezo lighter.....	216
Cooling system fan switch (fan models only).....	252
Gas control.....	294
AC power indicator.....	310
DC power indicator.....	311



ART 02457

The selector switch [207] changes the energy source of the refrigerator:

- LP gas ( 🔥 ), AC electric ( ⚡ ), DC electric ( 🔋 ), and OFF ( ⏻ ).

The AC thermostat [293] controls the temperature setting when operating in AC electric mode:

The AC power indicator [310] shows that the refrigerator is operating in AC mode.

The DC power indicator [311] shows that the refrigerator is operating in DC mode.

The piezo igniter [216] makes a spark which ignites the flame in the burner.

The flame meter [217] shows if a flame is present in the burner.

The gas control [294] sets the temperature setting of the refrigerator when operating in the GAS mode. To change the temperature setting, push and turn the gas control to either the HI, MED, or the LO position. HI is the coldest temperature setting.

**NOTICE** *This is not an automatic gas control. It does not change the flame from high fire to low fire as with other Recreational Vehicle refrigerators. If the cooling load changes, you must manually change the gas control to maintain the same temperature inside the refrigerator.*


The gas control has a gas safety valve built into it. As long as a flame is present, the safety valve is open and allows the LP gas to flow to the burner. Any loss of the flame (empty gas tank, blow out, etc.) closes the safety valve and stops the flow of LP gas.

The cooling system fan switch [252] operates a fan on the rear of the refrigerator (fan models only). This fan is to improve the refrigerator cooling performance when the ambient temperature is above 38°C. The fan is controlled by a thermostat when the switch is on and only operates intermittently, when the temperatures is above 38°C. Before turning on the fan make sure that the refrigerator is connected to DC power and that the vehicle battery has sufficient capacity. The current draw when the fan is operating is 0.24A at 12VDC. The fan will not run if the cooling system fan switch is turned off, regardless of temperatures.

When the outside air temperature is below 10°C, the refrigerator may have a tendency to freeze food at the colder temperature settings. To reduce the tendency to freeze food:

- Turn the gas control to LO position.
- Keep the refrigerator full.
- Put foods that are more likely to freeze on the lower shelf.

#### Ignition - LP gas operation:

1. Open the valve at the LP gas storage tank.
2. Turn the selector switch [207] to the LP gas position (  ).
3. Turn the gas control [294] to the HI position
4. Push and hold in the gas control [294]
5. Push in the piezo lighter [216] several times in rapid successions, for about five seconds:




**Do not hold in the gas control for more than 30 seconds. If there is no flame in this time, wait at least five minutes before you try ignition again. If you continue to hold in the gas control, LP gas will collect in the burner area. This could cause a fire or explosion and result in dangerous personal injury or death.**

- When a flame is present and the flame meter [217] moves into the green area, wait about five seconds and release the gas control.
  - If the flame meter does not move into the green area, do this step again.
6. Turn the gas control [294] to the desired temperature setting.

#### Do a test of the LP gas safety valve:

With an established flame while operating on LP gas:


1. Push and turn the gas control to the off position. (  )
2. After the flame is extinguished, you should hear a sharp “click” sound within 90 seconds.

#### NOTICE


*The LP gas safety valve should close with a sharp “click” sound.*

3. Push and turn the gas control to the HI position.
4. Without pushing in the gas control, push the igniter several times rapidly in succession. The burner flame should not ignite. This means that the LP gas safety valve is working correctly.


#### Start up - AC operation:

- Make sure that 240 volts AC is available.
- Turn the selector switch to the AC position (  ).
- Turn the AC thermostat [293] to the desired temperature setting.

#### NOTICE

*Make sure that the AC thermostat [293] is not set to the off position. (  )*

#### Start up - DC operation (3-way models only):

- Make sure that 12 volts DC is available.
- Turn the selector switch to the DC position (  ).

#### Shut down:

- Turn the selector switch to the OFF position (  ).

### **DC operation precautions:**

This refrigerator is made to operate on DC power while your vehicle is “in transit” and AC power or LP gas sources are not available. Operate the refrigerator on DC power only when the vehicle engine is running.

For the refrigerator to operate correctly on DC power, the battery must be maintained in a fully charged condition.

For the battery to be fully charged at all times during refrigerator operation on DC, the vehicle engine must be running and the battery charging system must be in good operating condition.

Keep in mind the following electrical precautions for DC operation of the refrigerator:

- Good battery condition is necessary for correct DC operation.
- The capacity of the battery charging system must be more than what is necessary for the refrigerator and other DC appliances.
- While the vehicle engine is running, make sure the voltage of the DC power supply leads at the refrigerator is more than 11.5 VDC.

### **DC operation guidelines:**

DC operation is intended only to maintain the temperature of the refrigerator and its contents when they are already cool.

The DC operation is not intended for the initial start up and cooling of the refrigerator. Always use either the AC operation or LP gas operation to initially start up and cool the refrigerator. The refrigerator must be cooled and the temperature must be steady before you operate the refrigerator on DC.

Keep in mind the following guidelines for DC operation of the refrigerator:

- Use DC operation of the refrigerator while the vehicle is in transit.
- Do not use DC operation until the refrigerator and its contents are completely cooled.
- Only use DC operation if the vehicle battery and battery charging system are in good operating condition.

## **Effects of High Altitude on LP Gas Operation**

---

When you operate the refrigerator on LP gas at altitudes higher than 1.7 km above sea level:

- You may experience reduced cooling performance of the refrigerator.
- You may experience burner outages.

To avoid these possible problems, Thetford recommends that you operate the refrigerator on AC when at altitudes higher than 1.7 km above sea level.

## **Effects of Freezing Temperatures on Refrigerator Operation**

---

A gas absorption refrigerator is not designed to operate in freezing temperatures. If the refrigerator is not equipped for low temperature operation, and if the cooling system of the refrigerator is exposed to temperatures of 0°C. or lower for an extended period of time, the refrigerator operation may be disrupted. The refrigerator operation will resume when the cooling system of the refrigerator warms sufficiently.

If the refrigerator is equipped for low temperature operation, the refrigerator will operate in temperatures down to -18° F.

Disrupted operation of the refrigerator, due to extended exposure to temperatures of 0°F. or lower, and any costs incurred to warm the cooling system of the refrigerator are not covered by the Norcold limited warranty. Please contact your local Recreational Vehicle dealer for information about how to resume refrigerator operation or about how to equip your refrigerator for operation in freezing temperatures.

Do not change the installation or the venting of your refrigerator. Refrigerator failures, which are the result of changes to either the refrigerator installation or to the venting, are not covered by the Thetford limited warranty.

## Refrigerator Care Checklist

---

Your refrigerator will give you years of trouble free service if you do these simple checks every three to six months:

- Keep the food compartment and the freezer clean. See "Cleaning".
- Defrost the refrigerator as necessary. See "Defrosting".
- Make sure the door seals correctly. See "Door Sealing".
- Be aware of any cooling changes that are not because of weather, loading, or LP gas control changes. If changes occur, contact your dealer or an authorized Service Center.
- Make sure the gas supply is Universai LP gas only.
- When in LP gas operation, examine the appearance of the flame. See "LP gas Flame Appearance".
- Make sure the air flow in the lower intake vent, through the refrigerator condenser and coils and out the upper exhaust vent is not blocked or decreased.
- Make sure the area behind the refrigerator is clear. Do not use the area behind the refrigerator for storage of any materials or combustible materials, especially gasoline and other flammable vapors and liquids.

## Defrosting

---

The cooling fins of the refrigerator operate at below freezing temperature and will naturally form frost from humidity, which is always present in the air. The humidity inside the refrigerator increases:

- with higher outside temperature and humidity.
- with the storage of non-sealed fresh foods or warm foods.
- with the amount of time that the door(s) are open.
- with any air leakage into the refrigerator.

It is normal for frost to collect inside the freezer. Excess frost decreases the cooling performance of the refrigerator. Defrost the refrigerator and freezer as necessary:

- Remove all food from the refrigerator.
- Turn the refrigerator OFF.

### **NOTICE**

*Defrosting the refrigerator makes excess water inside the refrigerator.*

- Remove the drain hose from the drip cup at the rear of the refrigerator (N404M and N504M models only).
- Put the drain hose into a two liter or larger container to capture water (N404M and N504M models only).
- Put dry towels (etc.) inside the refrigerator and freezer to absorb melted frost.

### **CAUTION**

**High temperatures can cause the inside surfaces of the refrigerator to warp or melt. Do not use pans of HOT water, a hair dryer, or any other high temperature devices to defrost the refrigerator. Do not use any hard or sharp objects to remove frost. Damage to the interior of the refrigerator can occur.**

- To increase the speed of defrosting, put pans of WARM water in the refrigerator and freezer.
- Remove the wet towels (etc.) and dry the interior.
- Remove the drain hose from the large container and put the drain hose back into the drip cup (N404M and N504M models only).
- Remove the large container from the enclosure.
- Start up the refrigerator.
- Allow the refrigerator to cool down.
- Return all food to the refrigerator.



## Cleaning

---

A good time to clean the refrigerator is just after you defrost it.

Clean the inside of the refrigerator as often as necessary to avoid food odors:

- Remove all food from the refrigerator.

**NOTICE** Do not use abrasive cleaners, chemicals, or scouring pads because they can damage the interior of the refrigerator.

- Wash the interior with a solution of liquid dish detergent and warm water.
- Rinse with a solution of baking soda and clean water.
- Dry with a clean cloth.
- Put all food in the refrigerator.

### Drip tray:

To remove and clean the drip tray:

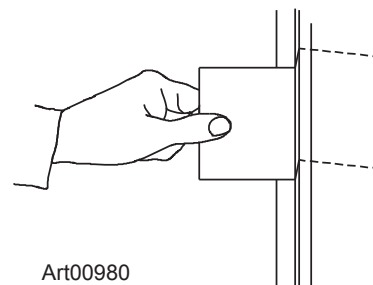
- Locate the plastic clip that is around the wire shelf in front of the drip tray.
- Remove and save the screw that attaches the plastic clip to the inside of the refrigerator cabinet.
- Pull the shelf forward to remove from the refrigerator
- Make sure that the drip tray is empty of water.
- Pull the drain tube plug out from the inside of the drip tray and out of the drain hose (N404M, N504M models only).
- Pull the drip tray forward to remove from the slots in the refrigerator cabinet.
- Clean the drip tray.
- Put the drain tube plug down into the drip tray and push the drip tray back into the original position.
- Push the drain hose back onto the drain tube plug (N404M, N504M models only).
- Put the wire shelf and plastic clip back in the original position.
- Attach the plastic clip with the screw.

## Door Sealing

---

If the door does not seal correctly, excess frost will collect inside the refrigerator. Make sure the door seals correctly:

- Close the door on a piece of paper that is about the size and thickness of a dollar bill (See Art00980).
- Gently pull the paper.
  - You should feel a slight drag between the gasket and the cabinet.
  - Do this on all four sides of the door.
  - If you do not feel a slight drag on the paper, the door is not sealing correctly:
    - Make sure the screws of the hinges are tight.
    - Make sure the door gasket does not touch the door latch:
      - If the door gasket touches the door latch, loosen the screws of the door latch.
      - Raise the door latch just so it does not touch and tighten the screws of the door latch.
    - Make sure the door latch holds the door closed.



## Refrigerator Maintenance Checklist

---

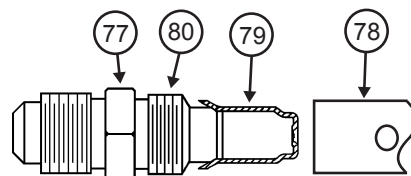
Read and understand the following maintenance sections of this manual.

### NOTICE

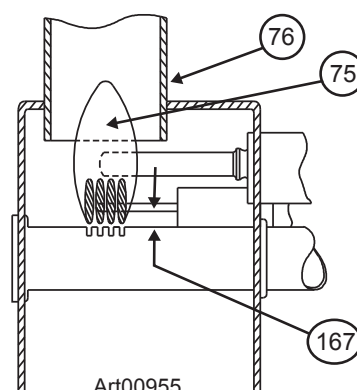
*Thetford is not responsible for installation, adjustment, alteration, service, or maintenance performed by anyone other than a qualified Recreational Vehicle dealer or an authorized Thetford Service Center.*

Have a qualified Recreational Vehicle dealer or an authorized Thetford Service Center do these annual safety and maintenance checks:

- Examine the LP gas supply lines for leaks.
  - Replace or repair if necessary.
- Make sure the LP gas pressure is 2.7 kPa.
  - Adjust if necessary.
- Make sure the combustion seal is complete and intact.
  - Replace or repair it if necessary.
- Make sure the burner and the burner orifice are clean (See Art00956).
  - Clean if necessary.
- Make sure the electrode spark gap [3] is 3-5 mm (See Art00955).
  - Adjust if necessary.
- Make sure the AC voltage is 216 - 252 volts and the DC voltage is 11.7 - 15.4 volts.
- Make sure the thermocouple tip is clean and secure.
- Make sure the area at the rear of the refrigerator is free of any combustible materials, gasoline, and other flammable vapors and liquids.



Art 00956



Art00955

## Refrigerator Storage

---

Before the refrigerator is stored for an extended (seasonal) period of time:

- Defrost and clean the interior of the refrigerator.
- Close the doors with the storage latch.

If the refrigerator is stored for an extended period of time, before start up:

- Make sure there are no obstructions in the vents, the ventilation air pathway, the burner, the orifice, or the flue area.

## Refrigerator Maintenance

---

### LP Gas flame appearance:

While operating in LP gas mode, examine the appearance of the LP gas flame:

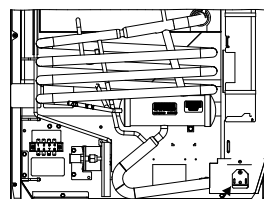
- Push and turn the gas control to the "HI" position.
- Open the lower intake vent.



**The burner box cover can be hot. Wear gloves to avoid burns.**

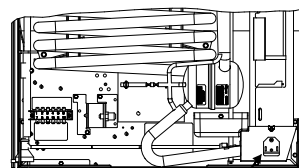
- Open the burner box door [165] and look at the LP gas flame [75] (See Art00955 and Art02537).
  - The flame should be:
    - a darker blue color on the inside of the flame and a lighter blue color on the outside of the flame.
    - a constant shape without flickering.
  - Contact your dealer or Thetford authorized service center if the flame is:
    - yellow
    - flickering or changing shape.
  - Make sure the flame does not touch the inside of the flue tube [76].
  - If the flame touches the inside of the flue tube, contact your dealer or an authorized Thetford Service Center.
- Close the burner box door.

N304M models



165

N404M and N504M models



165

ART 02537

### Remove and clean the burner orifice:



*Your dealer or an authorized Thetford Service Center must do this procedure.*

To remove and clean the burner orifice:

- Close the valve at the LP gas tank(s).
- Push and turn the gas control to the off (⏻) position.
- Turn the selector switch to the off (⏻) position.
- Open the lower intake vent.



**The burner box cover can be hot. Wear gloves to avoid burns.**

- Remove the burner box cover by removing one screw.



**To avoid possible LP gas leaks, always use two wrenches to loosen and tighten the LP gas supply line at the refrigerator's manual shut off valve.**

- Remove the flare nut from the orifice assembly [77] (See Art00956).

- Remove the orifice assembly from the burner [78].



**Do not try to remove the orifice [79] from the orifice adapter [80] when cleaning. Removal will damage the orifice and seal of the orifice and can cause a LP gas leak. Leaking LP gas can ignite or explode which can result in dangerous personal injury or death. Do not clean the orifice with a pin or other objects.**

- Clean the orifice assembly with air pressure and alcohol only.
- Using a wrench, assemble the orifice assembly to the burner.
  - Assemble the flare nut to the orifice assembly.
  - Tighten the flare nut by hand.
  - Hold the orifice assembly securely and, using a wrench, tighten the flare nut 1/4 revolution only.
- Examine all of the connections for gas leaks.

## Remove the Refrigerator

---



*Your dealer or an authorized Thetford Service Center must do this procedure.*



**The rear of the refrigerator has sharp edges and corners. To prevent cuts or abrasions when working on the refrigerator, be careful and wear cut resistant gloves.**

1. Close the valve at the LP gas tank(s).



**To avoid possible LP gas leaks, always use two wrenches to loosen and tighten the LP gas supply line at the refrigerator's manual shut off valve.**

2. Open the lower intake vent and remove the LP gas supply line from the 3/8 inch male flare fitting of the refrigerator.
3. Remove the AC power cord from the power point.
4. Remove the DC wiring from the refrigerator:
  - Remove the DC wiring from the battery or the converter of the vehicle.
  - Put a mark on the DC wires so you can put them back in the correct location.
  - Remove the DC wires from the refrigerator.
5. Remove the screws which fasten the refrigerator to the floor.
6. Remove the door from the refrigerator.
7. Remove the screws which fasten the refrigerator to the wall.
8. Remove the refrigerator from the opening.
9. Attach the door to the refrigerator.

## Reinstall the Refrigerator

---

### **NOTICE**

Your dealer or an authorized Thetford Service Center must do this procedure.



**Make sure the combustion seal is not broken, is completely around the refrigerator mounting flanges, and is between the mounting flanges and the wall of the enclosure. If the combustion seal is not complete, exhaust fumes can be present in the living area of the vehicle. The breathing of exhaust fumes can cause dizziness, nausea, and in extreme cases, death.**

1. Push the refrigerator completely into the enclosure.
2. Remove the door from the refrigerator.
3. Put the screws through the mounting flanges and into the wall.
4. Attach the door to the refrigerator



**The rear of the refrigerator has sharp edges and corners. To prevent cuts or abrasions when working on the refrigerator, be careful and wear cut resistant gloves.**

5. Open the lower intake vent and put the screws through refrigerator and into the floor.



**To avoid possible LP gas leaks, always use two wrenches to loosen and tighten the LP gas supply line at the refrigerator's manual shut off valve.**

6. Attach the LP gas supply line to the 3/8 inch male flare fitting of the refrigerator.
7. Open the valve at the LP gas tank(s).



**Do not allow the leak checking solution to touch the electrical components. Many liquids are electrically conductive and can cause a shock hazard, electrical shorts, and in some cases fire.**

8. Examine the gas supply line for leaks.
9. Connect the DC wiring to the refrigerator:
  - Install the DC fuse or connect the DC wiring to the battery or the converter.
  - Connect the DC wires from the refrigerator.
10. Connect the AC power cord to the receptacle.

## Replacement Parts

---

You may purchase replacement parts through your local Recreational Vehicle dealer or an authorized Thetford Service Center.



# Wiring Schematic

