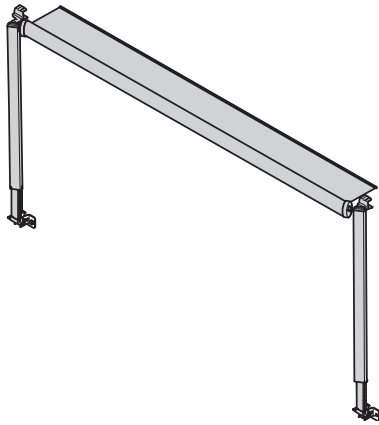


↗ **DOMETIC**
AWNINGS
8700 SERIES



Dometic 8700

EN **Awning**
Installation and Operating Manual

© 2020 Dometic Group. The visual appearance of the contents of this manual is protected by copyright and design law. The underlying technical design and the products contained herein may be protected by design, patent or be patent pending. The trademarks mentioned in this manual belong to Dometic Sweden AB. All rights are reserved.

Please read this instruction manual carefully before installation and first use, and store it in a safe place. If you pass on the product to another person, hand over this instruction manual along with it.

Table of contents

1	Explanation of symbols	4
2	Important safety instructions for installation	4
3	Scope of delivery	5
4	Intended use	6
5	Technical description	6
6	Installing the awning	7
7	Using the awning	18
8	Cleaning and maintenance	25
9	Warranty	26
10	Disposal	26

1 Explanation of symbols

**WARNING!**

Safety instruction: Indicates a hazardous situation that, if not avoided, could result in death or serious injury.

**CAUTION!**

Safety instruction: Indicates a hazardous situation that, if not avoided, could result in minor or moderate injury.

**NOTICE!**

Indicates a situation that, if not avoided, can result in property damage.

**NOTE**

Supplementary information for operating the product.

2 Important safety instructions for installation

Please observe the prescribed safety instructions and stipulations from the vehicle manufacturer and service workshops.

The manufacturer accepts no liability for damage in the following cases:

- Faulty assembly or connection
- Damage to the product resulting from mechanical influences
- Alterations to the product without express permission from the manufacturer
- Use for purposes other than those described in the operating manual

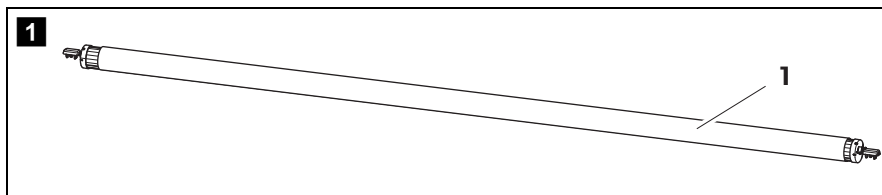
**WARNING!**

- If you do not have sufficient technical knowledge for installing components in vehicles, you should have a specialist fit the awning to your vehicle.

3 Scope of delivery

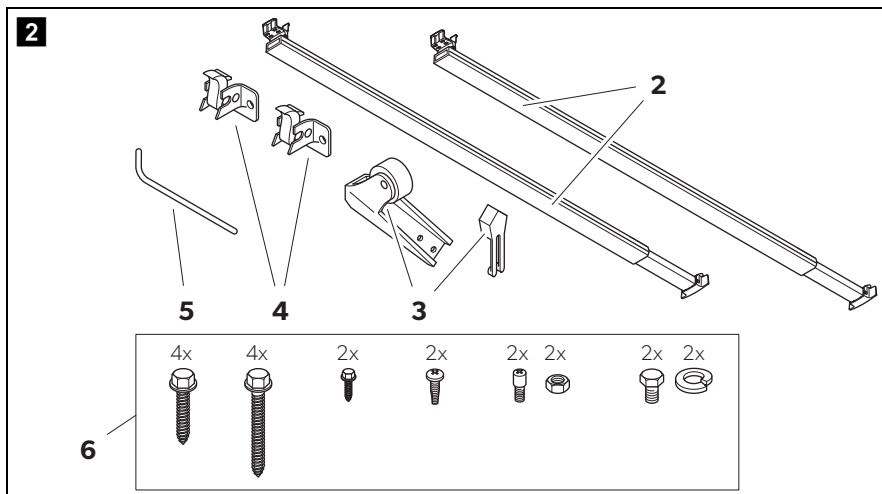
The sail track is not supplied by Dometic and must be purchased separately and installed prior to the installation of the awning and hardware.

Fabric roller tube assembly (must be ordered separately)



No. in fig. 1	Quantity	Description
1	1	Fabric roller tube assembly

Hardware (must be ordered separately)



No. in fig. 2	Quantity	Description
2	2	Hardware assemblies
3	1	Door Roller Kit
4	2	Bottom mounting bracket
5	1	Pull rod
6	1 set	Fixing materials
-	1	Installation and Operating Manual

4 Intended use

The intended use of the awning is to provide shade.

The awning is to be used whilst the vehicle is stationary only.

5 Technical description

Hardware	878HT-WH 878HT-BK (Tall – Black or white)	878HS-WH 878HS-BK (Standard – Black or white)
Height range	1892 mm – 2235 mm	1626 mm – 1930 mm
Main arm length	1854 mm	1549 mm
Adjustable arm length	1448 mm	1448 mm
Main rafter length	1676 mm	1372 mm
Secondary rafter length	826 mm	1130 mm

6 Installing the awning

6.1 Notes on the installation



WARNING! Failure to obey these warnings could result in death or serious injury.

Fire hazard/Electrocution hazard

- Make sure there are no obstacles (wires, pipes, etc.) on the RV's roof and inside the RV's walls.
- Shut **off** gas supply to the RV.
- Disconnect AC power from the RV, and disconnect the positive +12 V terminal from the supply battery(s) before drilling or cutting into the RV.

Impact or crush hazard

- The device may become unstable and could detach, bend, or collapse. Make sure mounting surface on the RV is flat, has solid structural backing where fasteners penetrate the surface, and will safely and securely support the product.
- Find a solid structure in the RV wall for support of top mounting brackets.

Impact or pinch hazard

- Rapid casting spin off may occur. Spring tension will attempt to close the awning quickly and unexpectedly.
Do **not** remove the nail from the torsion rod (at end cap) until **both** top castings are secured to the corresponding main arms, and the awning safety lock lever is in roll down position.
Straighten, remove, and discard the nail from the **left** end of the torsion rod only.



CAUTION! Failure to obey these cautions could result in minor or moderate injury.

Health hazard

- Use proper lifting technique and control when lifting the device.
- Maintain a horizontal distance of at least 410 mm between the fully open awning and any permanent objects.

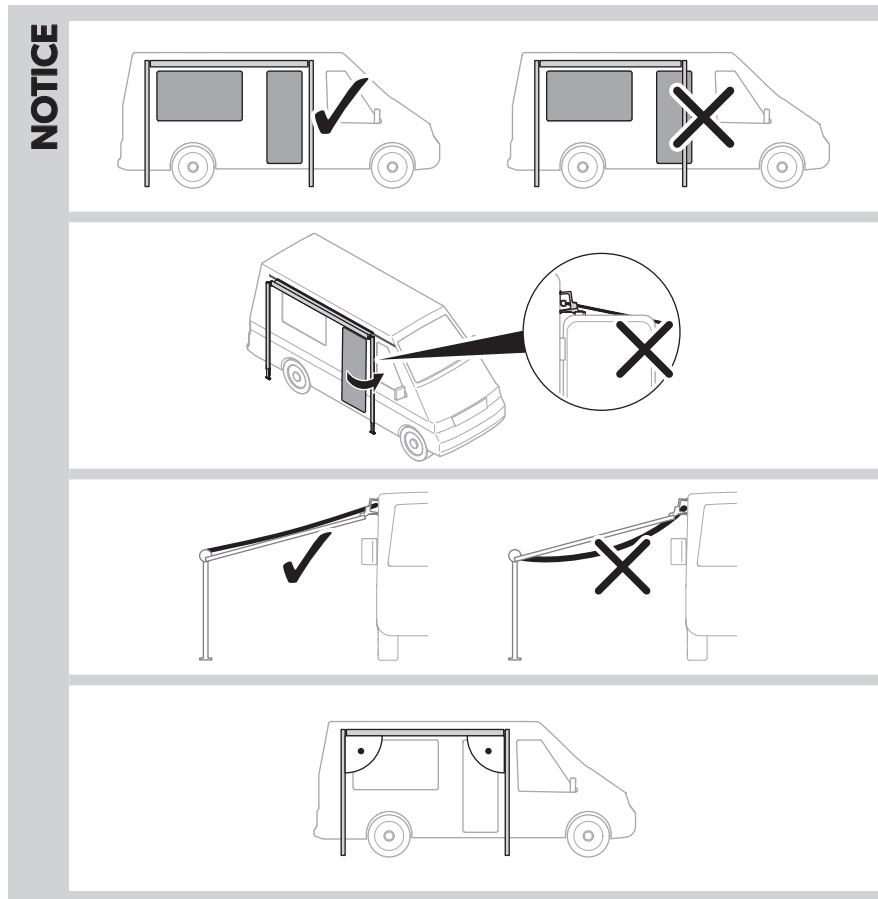
**NOTICE! Damage hazard**

- Ensure that the awning rail is parallel to the RV floor, and is **not** warped or curved before installing awning fabric. If the awning rail is **not** straight, the awning fabric may wrinkle or stretch.
- Install back channels on a flat surface, level, and keep parallel with each other to ensure correct function and appearance.
- Use sealant after cleaning the parts and surfaces where fasteners enter the RV's roof and/or walls to prevent moisture from entering.
- Observe the sealant manufacturer's instructions.

**NOTE**

- A stepladder may be necessary to reach awning rail.
- Make sure arm assemblies do not restrict use of doors, windows, etc.
- It's recommended 2 people install the awning. There are instances detailed in the installing instructions that require 3 people to fit the awning.

6.2 Installing the awning

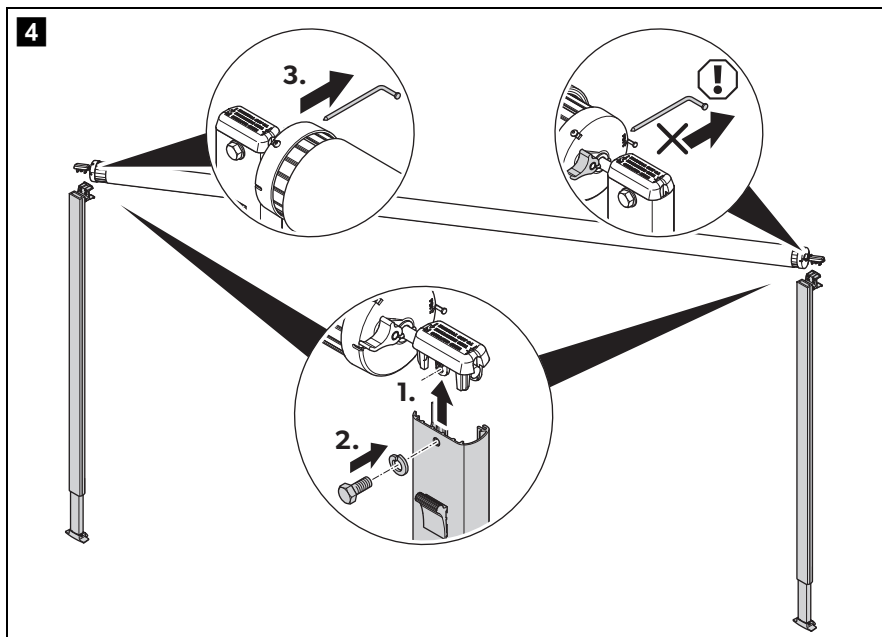
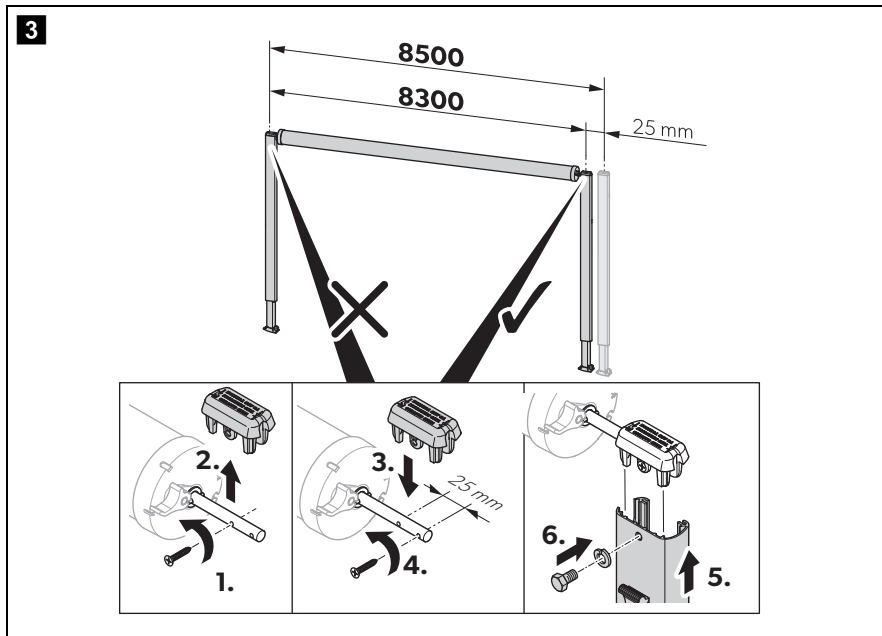


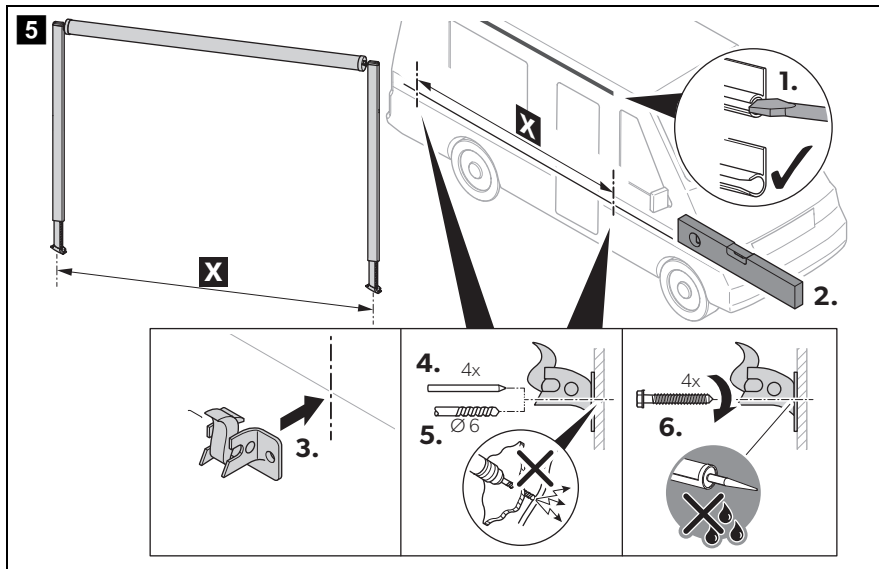
► Proceed as shown to install the awning (fig. **3**, page 10 to fig. **15**, page 17).



NOTE

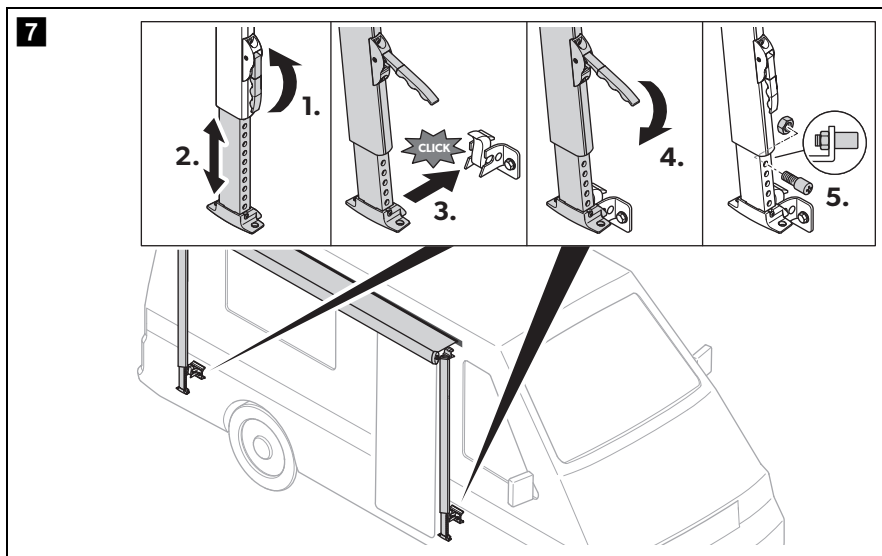
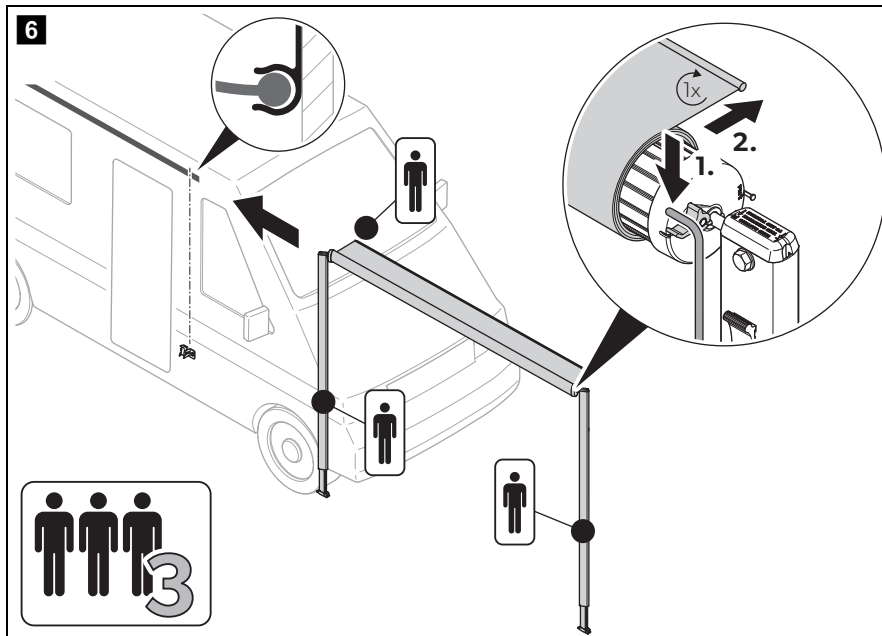
- The awning length is set to suit the Dometic 8300 awning length.
- Adjust the RH top casting to outer hole (fig. **3**, page 10) to fit the Dometic 8500 awning length.
- The LH top casting does not require adjustment.

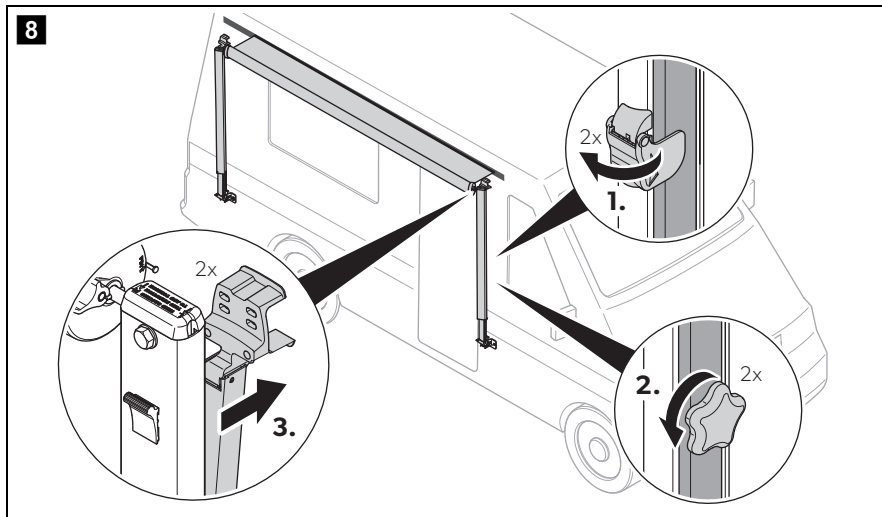




NOTE

Unfurling the awning fabric by one revolution will allow enough space between the RV wall and the awning hardware to guide the fabric into the awning rail.



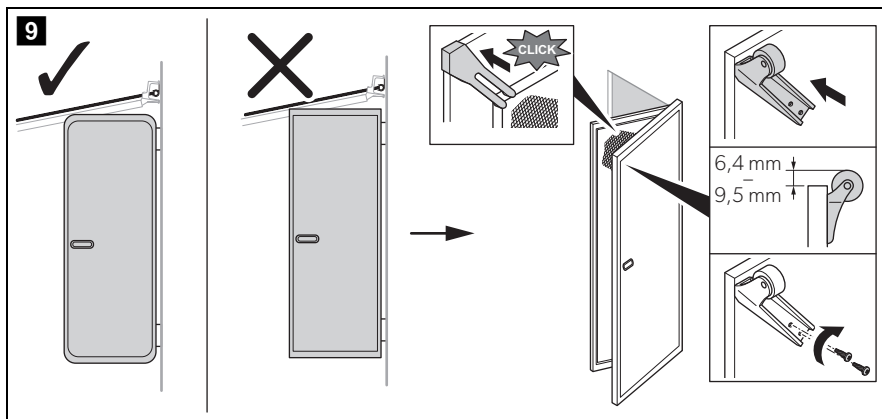


Installing the door roller kit



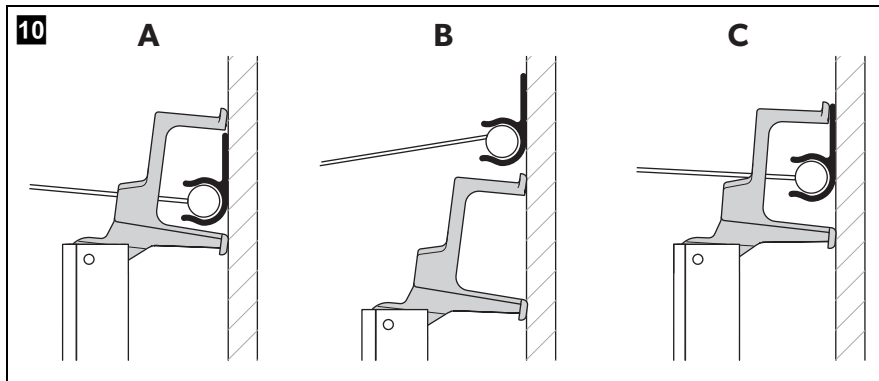
NOTICE! Damage hazard

If a squared corner entry door may contact the awning fabric, the door roller kit must be installed.

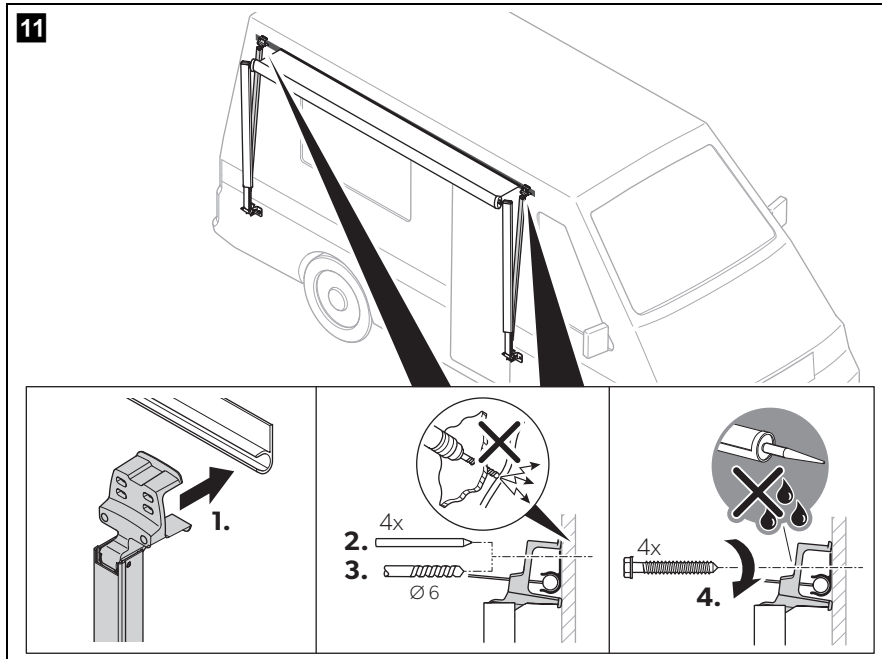


Choosing the mounting position for top mounting brackets (fig. 10)

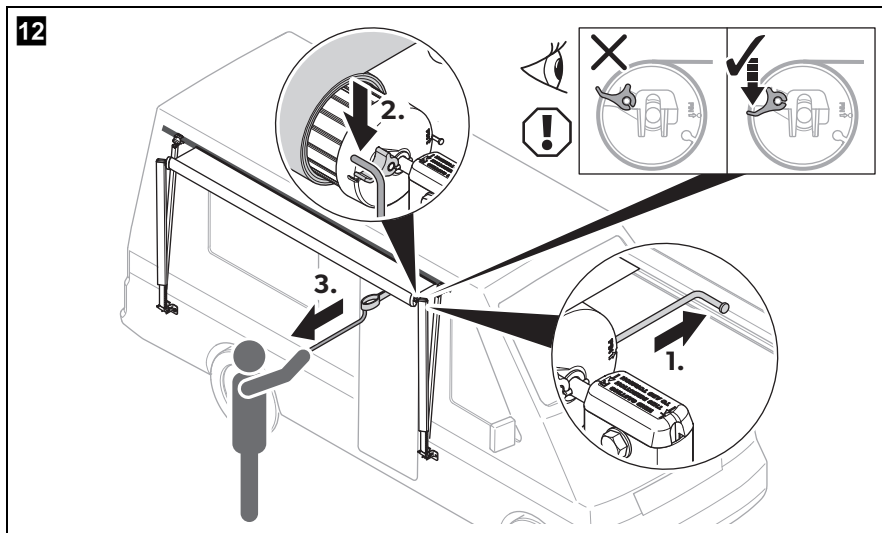
- **A:** Mounting over awning rail
Do **not** use this position if the top mounting brackets will contact the rubber cap molding on the RV (roof with rounded corners)
- **B:** Mounting below awning rail
- **C:** Mounting on awning rail



Installing the top mounting brackets



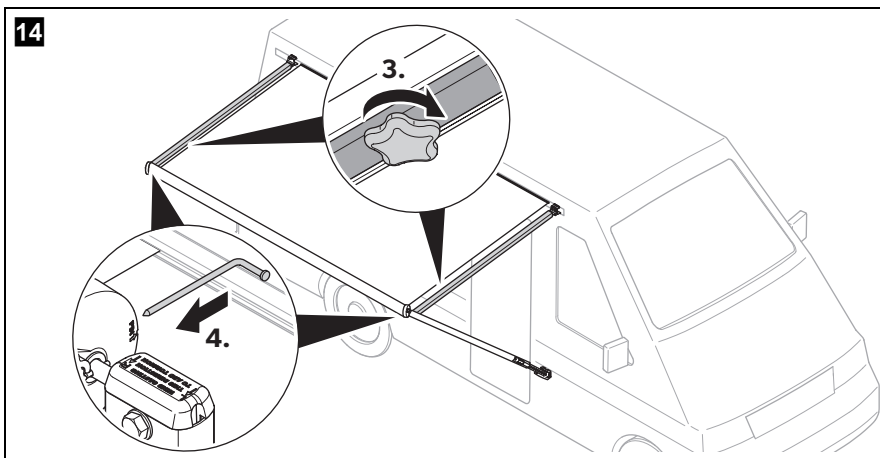
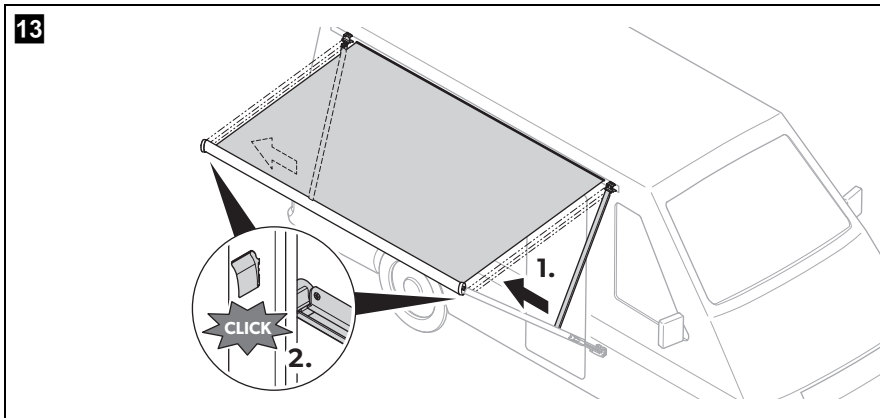
Releasing the preset tension

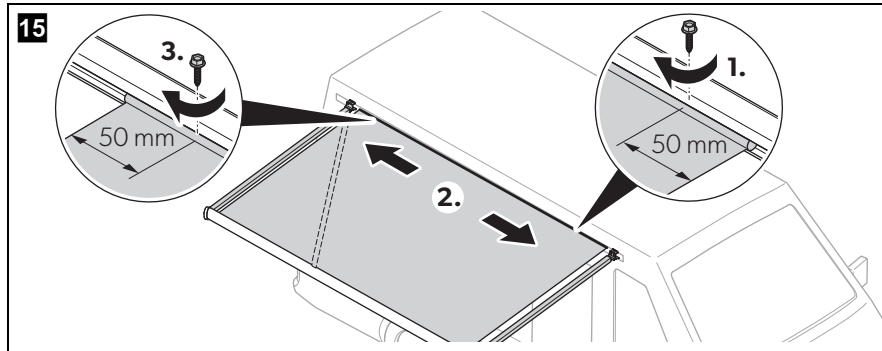




NOTE

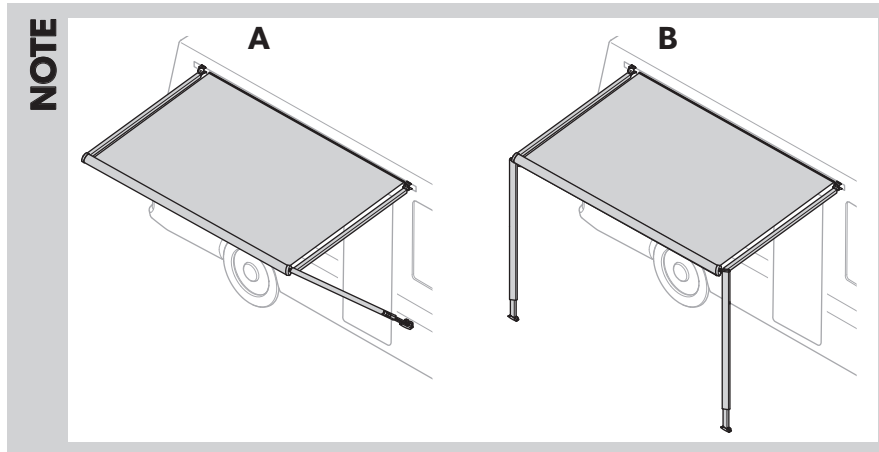
Removing the pin will release the factory preset tension. To facilitate removal, you may need to twist the fabric roller tube (as if unrolling awning) by pulling the bottom of tube toward you while pulling on the pin.



Securing the awning fabric to the awning rail**Verifying the installation**

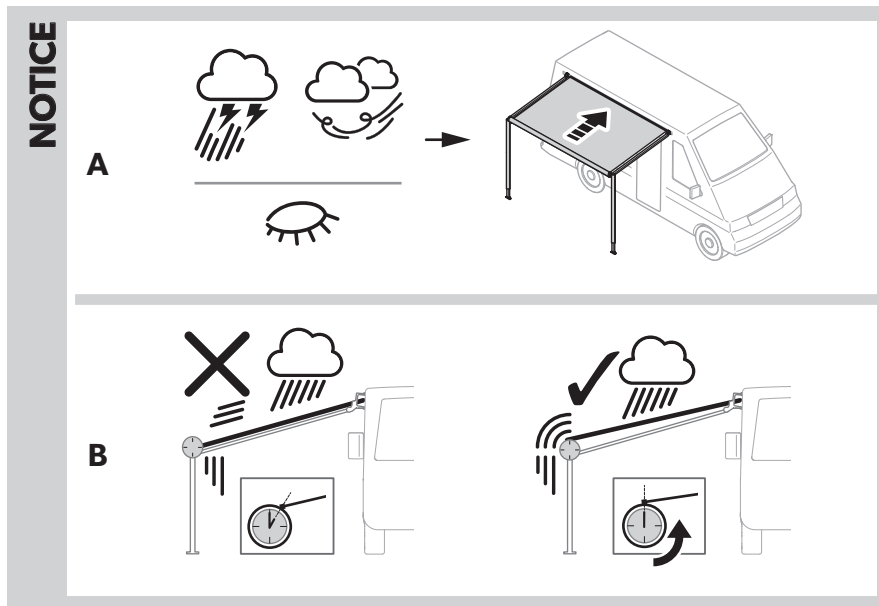
- Verify the installation by operating the awning according to verify all parts are functioning correctly (chapter "Using the awning" on page 18).
Open and close the awning four or five times to allow for natural self adjustment of the awning fabric.

7 Using the awning



You can use the awning in opening position A or B.

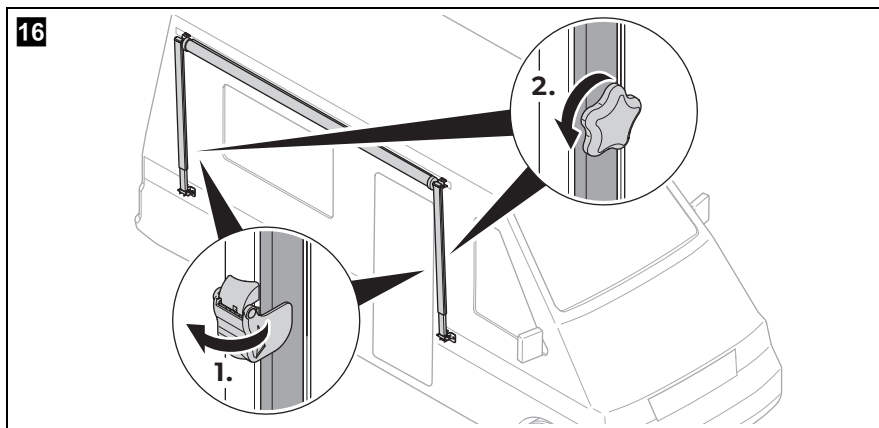
7.1 Opening the awning

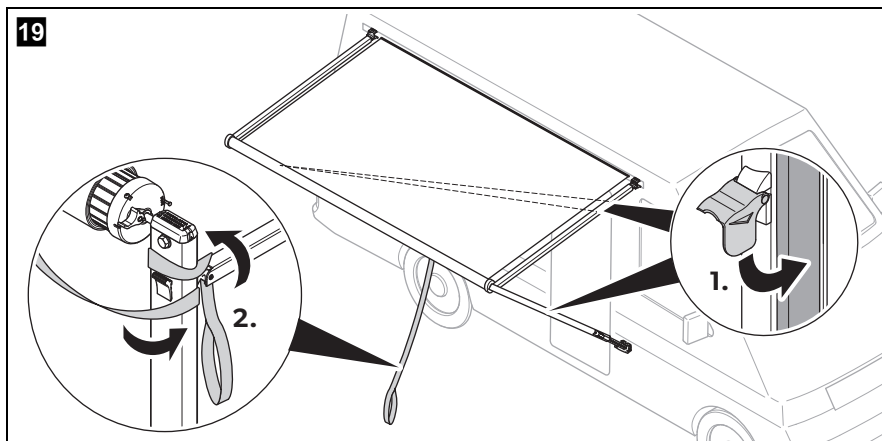
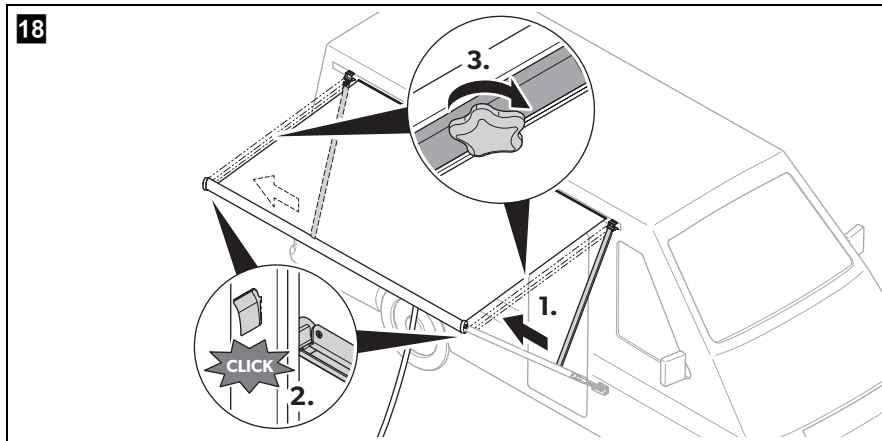
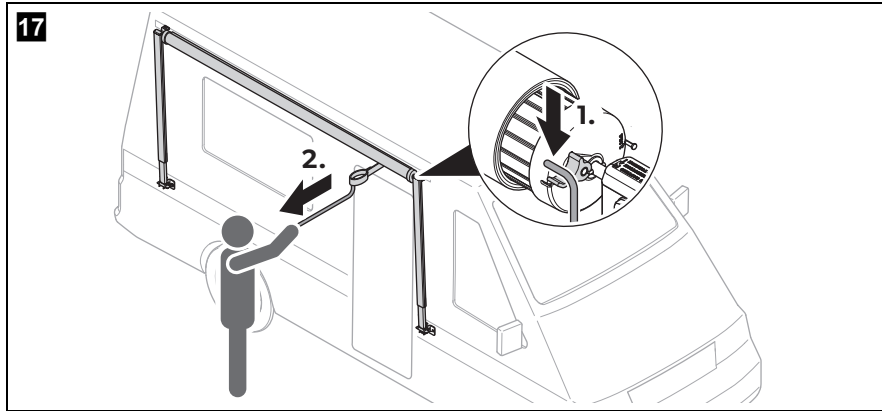



NOTICE! Damage hazard

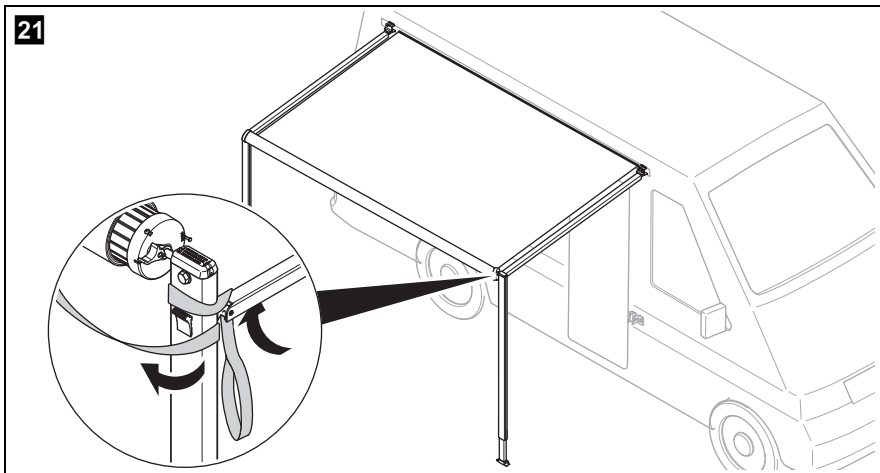
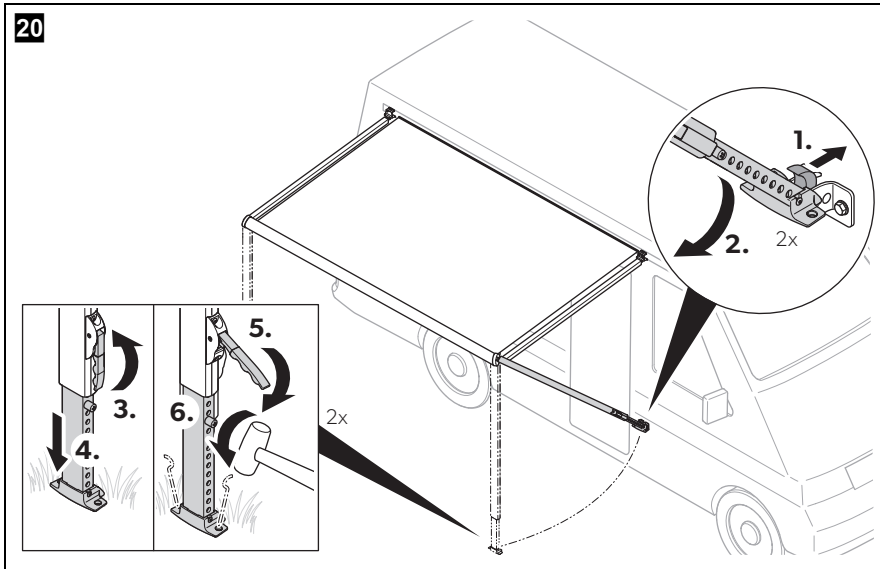
- Ensure the awning is extended high enough before opening the entry door.
- Ensure the lock lever is not flipped to the “roll-up” position prior to swinging the main arm away from the RV. Failure to do so can cause damage to the lock mechanism.
- Whenever heavy or prolonged rain or wind is anticipated, or you will leave the awning unattended, it is best to close the awning. Damage as a result of weather is not covered by warranty (see **A** in figure above).
- Do **not** over extend the awning. This creates a gutter trapping water over the stitching as well as stretching the fabric, opening up the holes around the stitching. To remove the gutter and allow the water to run off the awning needs to be rolled back up so the RH seam is in the shown position (see **B** in figure above).

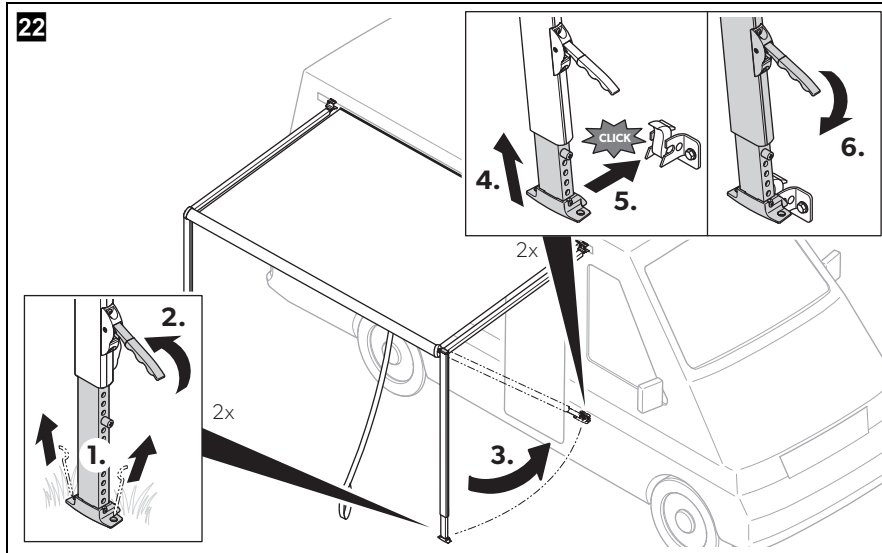
➤ Proceed as shown to open the awning (fig. **16**, page 19 to fig. **22**, page 22).





Opening the awning to position B (page 18)





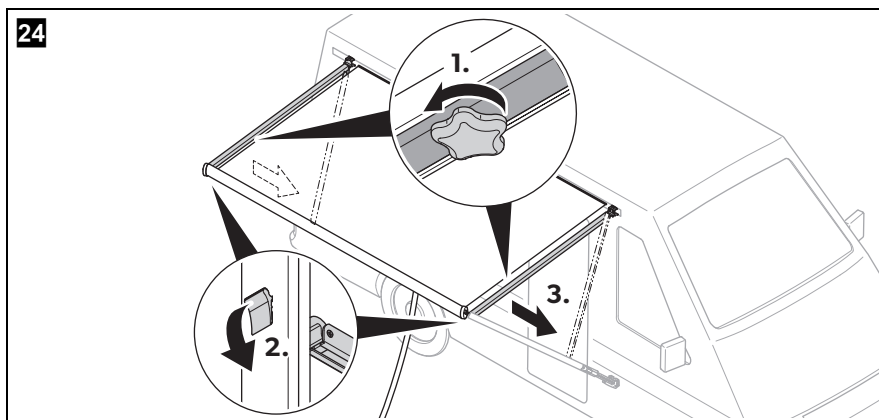
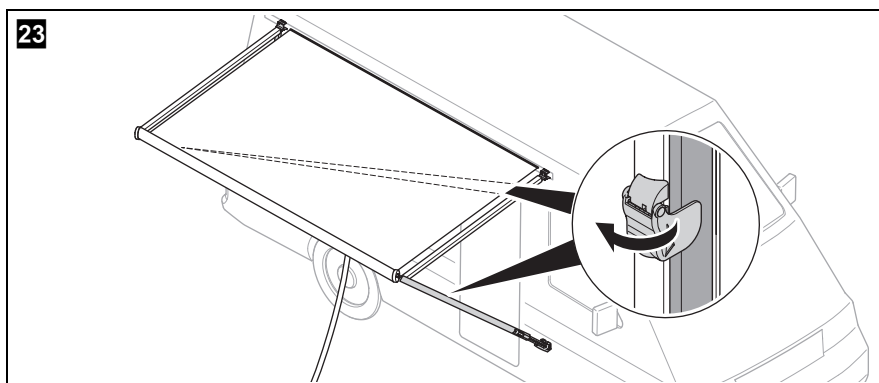
7.2 Closing the awning



NOTICE! Damage hazard

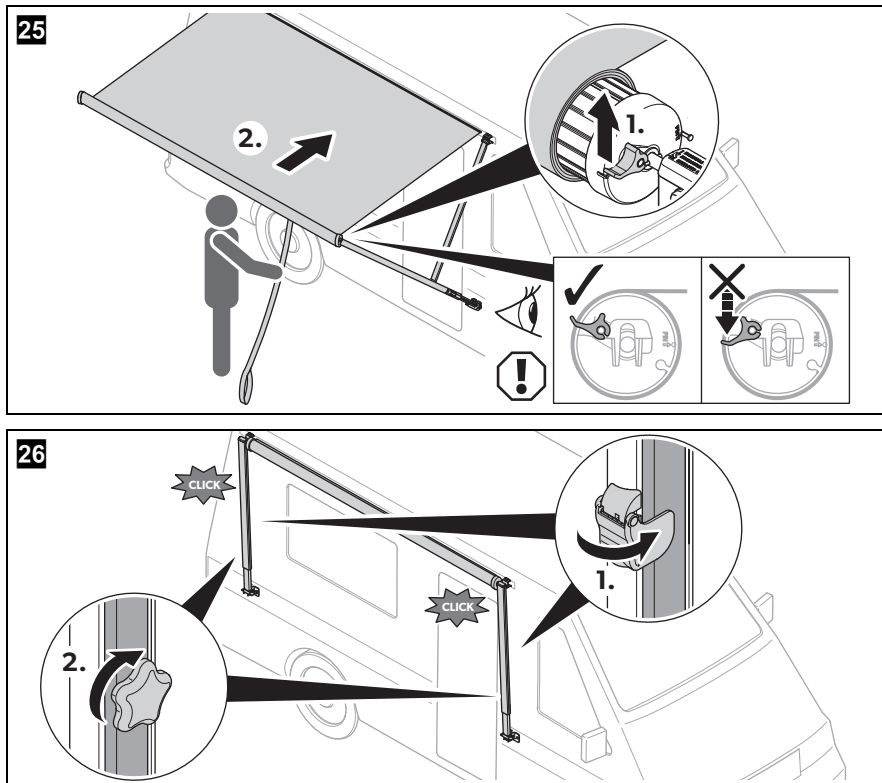
Ensure that the lock is in the “roll-down” position prior to swinging arms toward vehicle. Failure to do so can cause damage to the lock mechanism.

► Proceed as shown to close the awning (fig. 23, page 23 to fig. 26, page 24).



NOTICE! Damage hazard

Do not release the awning pull strap directly after turning the lock to the “roll-up” position. The awning is under tension and could snap back against the vehicle side.



8 Cleaning and maintenance



NOTICE! Damage hazard

- **Never** clean the awning with a high-pressure washer.
- Do **not** use abrasive cleaning agents or sharp objects during cleaning, as these can damage the product.
- Do **not** use solvents to clean the fabric.

- Apply silicone spray lubricant as needed to keep the awning's moving parts operating smoothly. For ease of operation on hardware, rub candle wax on all sliding surfaces.
- Whenever the awning is wet whilst rolled up, as soon as conditions allow, roll it out and let it dry before rolling it up again. This will help prevent mildew and rotting.
- Mildew does not form on the fabric itself, but on the accumulated dust, dirt and grime. Periodically clean vinyl or woven acrylic:
 - Use a mixture of 1/4 cup dish soap, 1/4 cup bleach and 19 l of fresh water.
 - Soap the open awning with this mixture.
 - Roll it up.
Rolling up of the awning will apply the mixture to the underside of the fabric.
 - Let it stand for five minutes.
 - Unroll the awning and hose off the top and bottom with clean water.
 - Repeat if necessary and allow to completely dry.

9 Warranty

If the product does not work as it should, please contact your retailer or the manufacturer's branch in your country (see dometic.com/dealer). The warranty applicable to your product is 1 year year(s).

For repair and warranty processing, please include the following documents when you send in the device:

- A copy of the receipt with purchasing date
- A reason for the claim or description of the fault

Australia only

Our goods come with guarantees that cannot be excluded under the Australian Consumer Law. You are entitled to a replacement or refund for a major failure and for compensation for any other reasonably foreseeable loss or damage. You are also entitled to have the goods repaired or replaced if the goods fail to be of acceptable quality and the failure does not amount to a major failure.

New Zealand only

This warranty policy is subject to the conditions and guarantees which are mandatory as implied by the Consumer Guarantees Act 1993(NZ).

10 Disposal

- Place the packaging material in the appropriate recycling waste bins wherever possible.



If you wish to finally dispose of the product, ask your local recycling centre or specialist dealer for details about how to do this in accordance with the applicable disposal regulations.

Mobile living made easy.



dometic.com

**YOUR LOCAL
DEALER**

dometic.com/dealer

**YOUR LOCAL
SUPPORT**

dometic.com/contact

**YOUR LOCAL
SALES OFFICE**

dometic.com/sales-offices

4445103036 03/2020

A complete list of Dometic companies, which comprise the Dometic Group, can be found in the public filings of:
DOMETIC GROUP AB Hemvärnsgatan 15 SE-17154 Solna Sweden

More information <https://www.caravansplus.com.au>