

### 4.3 Change of the level floater in the cassette tank

A defective level floater (fig. 4.19) in the cassette tank can be replaced.

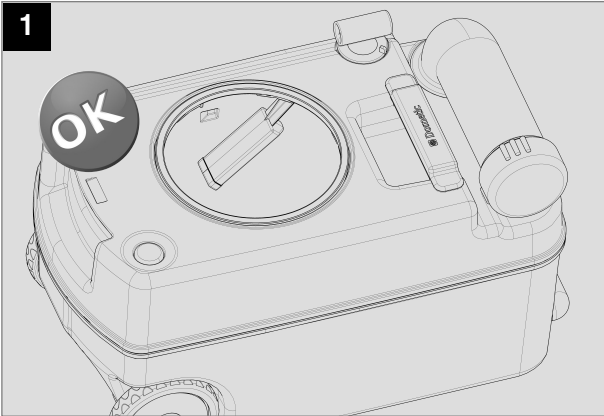


Fig. 4.18

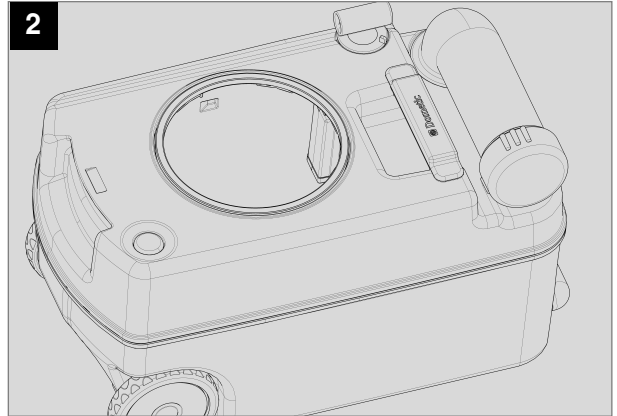


Fig 4.19

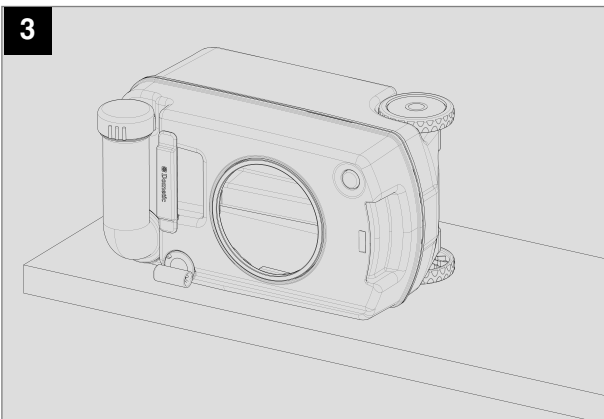


Fig. 4.20

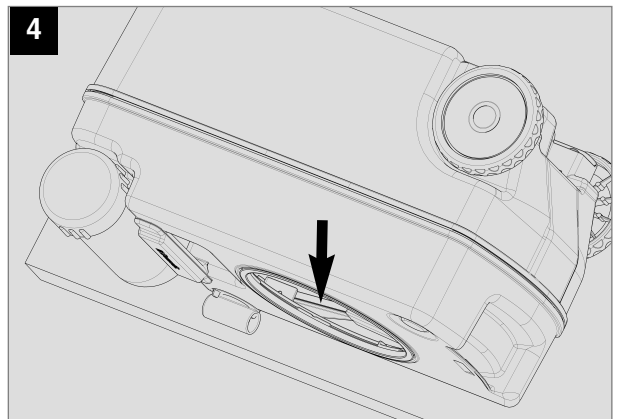


Fig. 4.21

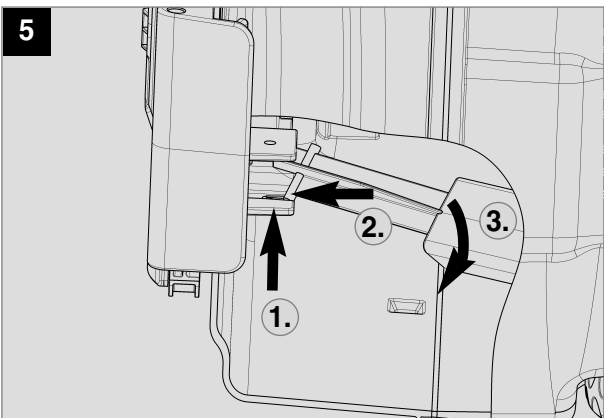


Fig. 4.22

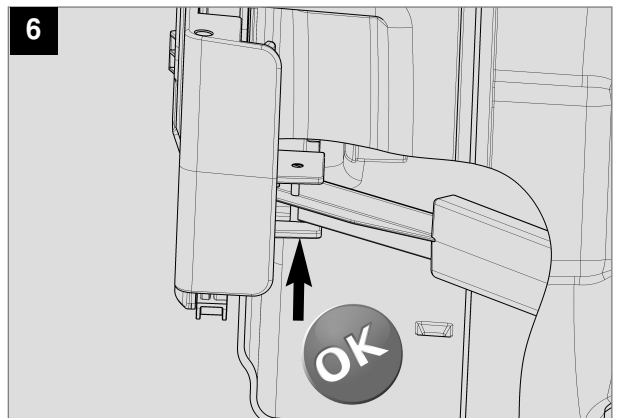


Fig 4.23

Slide the new level floater on one side into the slot of the bracket. Hold the floater turned obliquely and inwardly. Slide the floater up to

the stop. Turn it levelled so that it snaps in (Fig. 4.23).