

LCD/Plasma Wall Bracket Instruction Type ARM102

1. Technical parameter

Maximum load: 40kg

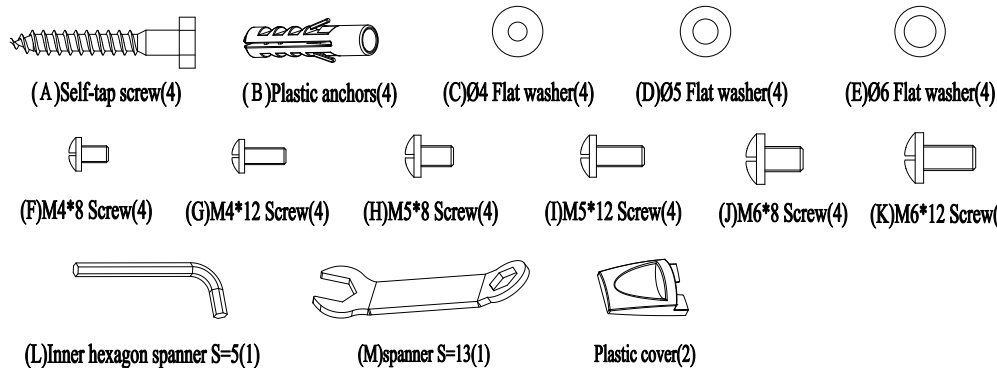
Rotation: $\pm 5^\circ$

Pitching angle: $+10^\circ \sim -15^\circ$

Distance from wall: 70~230mm

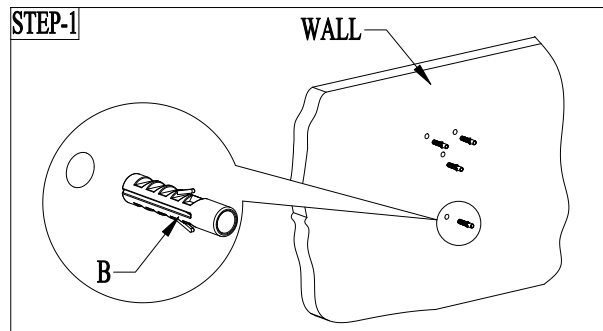
2. Part List

Please check the parts in the package in comparison with the following list. Make sure all of the parts are in the package. Never use defective parts. Never replace part with different specification.

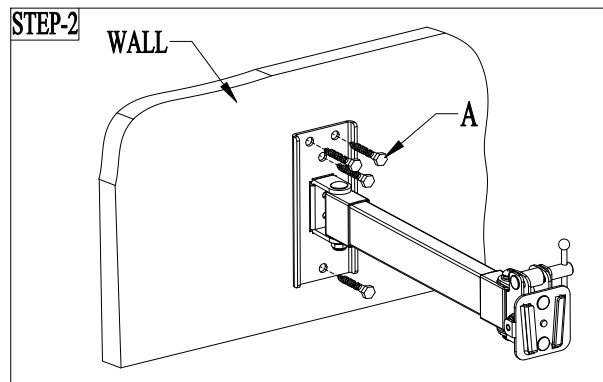


3. Installation and operation instructions

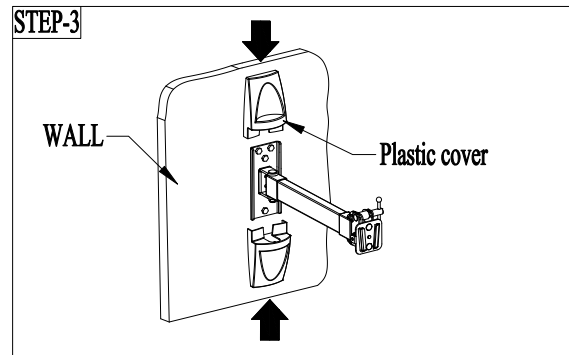
Note: please read the instructions carefully before installation!



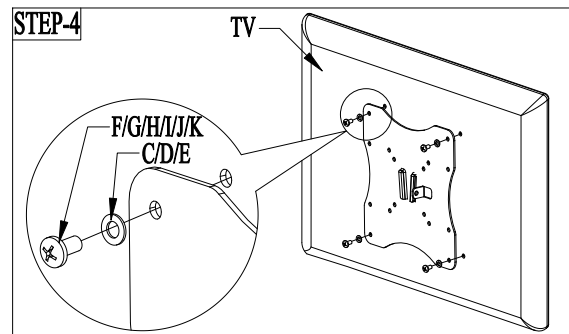
Step 1:
Use the wall plate as a template to drill four holes of $\varnothing 10\text{mm}$ diameter and 50mm depth in the vertical wall. Then wedge four plastic concrete anchors into the holes.



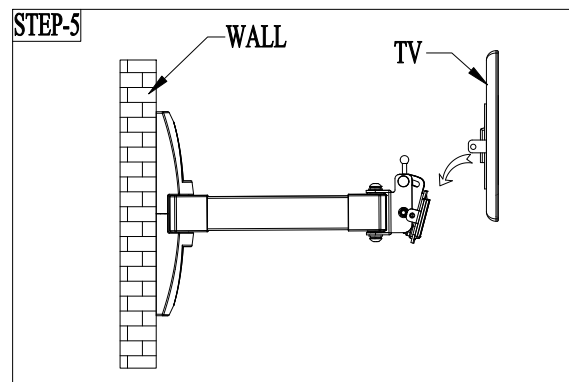
Step 2:
Fix the wall plate with four lag bolts to install the wall fixed installation for the panel TV on the vertical wall.



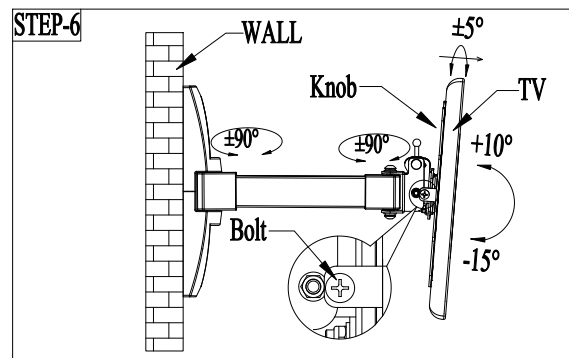
Step 3:
Insert two fixed plate covers by each other as the fig.



Step 4:
Select the mounting position for the TV fixed plate and the suitable bolts from the parts bag according to the size of TV and the thread holes at the back of the TV. Screw 4 selected bolts into the thread holes at the back of TV through the corresponding holes on the TV fixed plate. The bolts should be screwed down. The TV fixed plate should be mounted on the TV back symmetrically and evenly.



Step 5:
Lift the flat panel TV, TV fixed plate aiming at the position of the fixed wall plate, to hang it by inserting the flange of the TV fixed plate into inboard of the wall plate. Don't relax hands until hung firmly.



Step 6:
Screw bolt to get through the mounting holes in the TV fixed plate to the thread holes in the wall dead plate, and screw down to make the wall fixed plate and the TV fixed plate in one. Loosen the knob to adjust the angle of the LCD between $+10^\circ$ and -15° to a suitable position, and then screw the knobs up.