

INSTRUCTION FOR NEW ADJUSTABLE RETENTION RING WHEEL COVER

1. Locate the adjustable holding tab on the wheel cover.
2. Insert one end of the supplied wire ring into the fix side of the holding tab. Insert the other end of the wire ring into the adjustable side of the tab. (As shown in Fig.A). Insert into bottom hole (the one for small diameter) first.
3. Install the remaining part of wire ring into the regular holding tabs.
4. Install the cover onto the rim of the vehicle. Try to remove the wheel cover by pulling it. If the wheel cover dislodges, then remove the ring and place the ring into the top hole (the one for large dia.), repeat the step #3 & #4.
5. Install the other three covers in the same way as indicated above.

FIG. A ADJUSTABLE HOLDING TAB

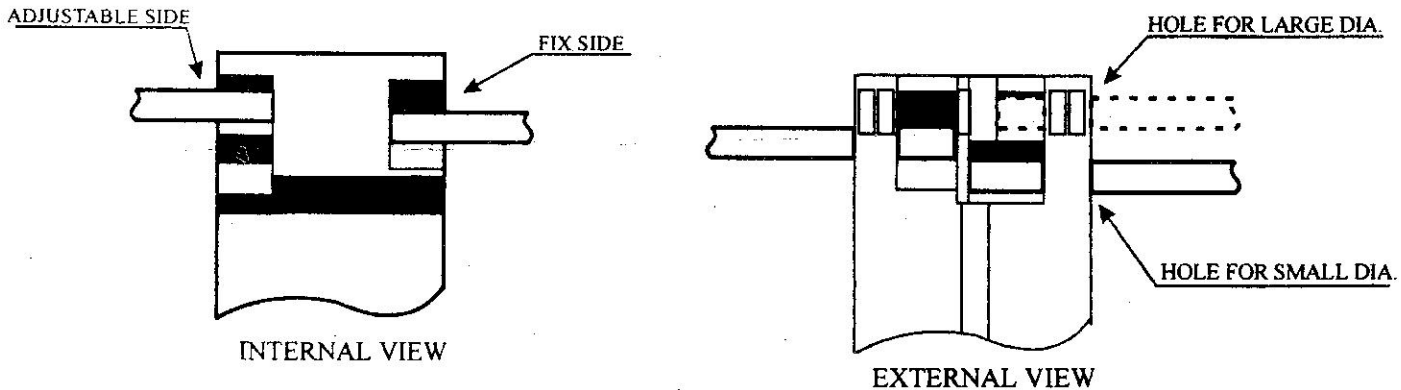
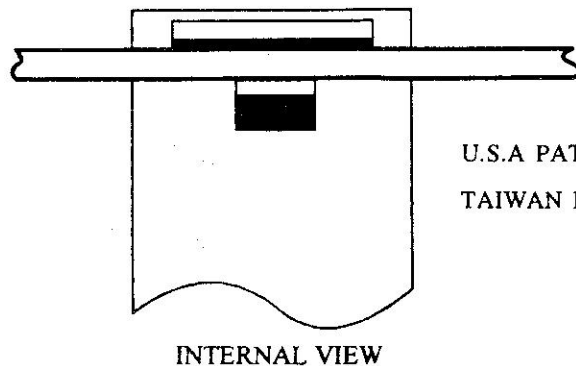


FIG. A REGULAR HOLDING TAB



U.S.A PATENT NO.5700062

TAIWAN PATENT NO.124111