

Boiler

L.P. Gas and 230 / 240 V Electric Storage Water Heater Model B 10 / B 14 from 08/2008



Operating instructions
Installation instructions

To be kept in the vehicle!

Page 2

Page 6

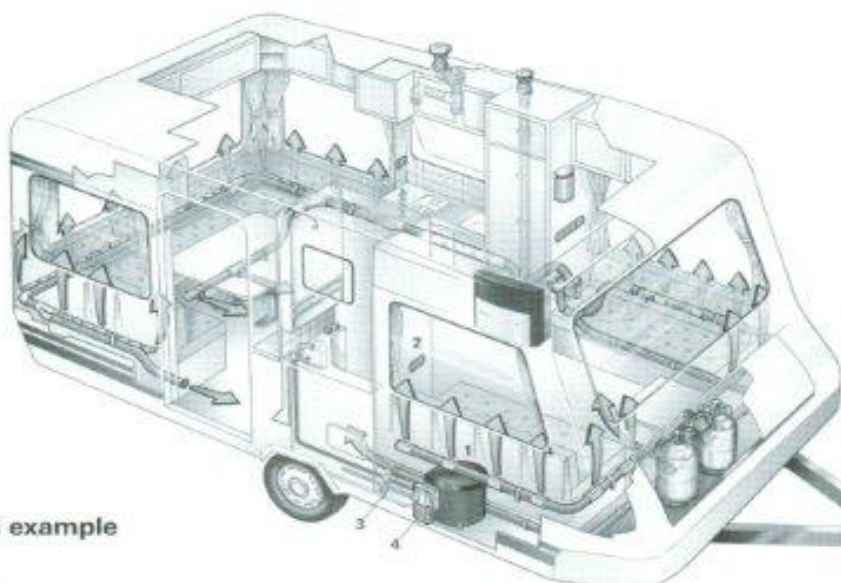
Authorised Distributor
CARAVANS PLUS
www.caravansplus.com.au

Australia's Premier Online RV Accessories Retailer ...



Comfort on the move





Installation example

- 1 Truma-Boiler
- 2 Control panel
- 3 Safety/drain valve
- 4 Cowl for combustion air intake and exhaust gas discharge

General safety notes

The use of upright gas cylinders from which gas is taken in the gas phase is mandatory for the operation of gas regulators, gas equipment and gas systems. Gas cylinders from which gas is taken in the liquid phase (e. g. for fork lifts) must not be used, since they would result in damage to the gas system.

In event of leaks in the gas system or if there is a smell of gas:

- extinguish all naked flames
- do not smoke
- switch off all appliances
- shut off the gas cylinder
- open the windows and doors
- do not actuate any electrical switches
- have the entire system checked by an expert!



Repairs may only be carried out by an expert.

Danger

Failure to operate the relief valve easing gas at least once every six months may result in the water heater splitting. Continuous leakage of water from the valve may indicate a problem with the water heater!

- Water may drip from the discharge pipe of the pressure relief device and this pipe must be left open to the atmosphere.
- The pressure relief device is to be operated regularly to remove lime deposits and to verify that it is not blocked.
- Any discharge pipe connected to the safety (pressure relief) valve is to be installed in a continuously downward direction and in a frost free ambient.
- This unit is not to be used by children or infirm persons without proper supervision at all times. Not to be used as a toy.

2

- Before gaining access to any and all terminals, please ensure all supply circuits are disconnected (i.e. 230 – 240 V and 12 V) and gas supply is securely turned off.
- Any work involving connection or interconnecting wiring must be conducted by a licensed electrician.
- Any modifications to the unit, including accessories and cowl, or the use of spare parts and accessories that are important to the operation of the system that are not original Truma parts and failure to follow the installation and operating instructions will cancel the warranty and indemnify Truma from any liability claims. It also becomes illegal to use the appliance, and in some countries this even makes it illegal to use the vehicle.
- The operating pressure for the gas supply is 2.75 kPa (AUS – Propane, NZ – LPG) and must correspond to the operating pressure of the appliance (see data plate).
- LPG Systems and pressure regulators must comply with the technical and administrative regulations of the country in which the appliance is used. For your own safety it is absolutely necessary to have the complete gas installation regularly checked by an expert (at least every 2 years).
The vehicle owner is always responsible for arranging the gas inspection.
- Do not operate when travelling.
- Do not operate the water heater when refuelling the vehicle and when in the garage.
- Items sensitive to heat (e. g. spray cans) must not be stored in the installation area, since excess temperatures may under circumstances be incurred there.
- During the initial operation of a brand new appliance (or after it has not been used for some time), a slight amount of fumes and a slight smell may be noticed for a short while.

Operating instructions

Always observe the operating instructions prior to starting! The vehicle owner is responsible for the correct operation of the appliance.

The installer or vehicle owner must apply the yellow sticker with the warning information, which is enclosed with the appliance, to a place in the vehicle where it is clearly visible to all users (e. g. on the wardrobe door)! Ask Truma to send you stickers, if necessary.

! Before using the first time, it is essential to flush the entire water supply through with clean warm water. Always mount the cowl cap when the water heater is not being operated! Drain the water heater if there is a risk of frost! **There shall be no claims under guarantee for damage caused by frost!**

Always remove the cowl cover prior to operating the water heater!

If connecting to a central water supply (rural or city connection) or when using more powerful pumps, a pressure reducer must be used which prevents pressures of greater than 400 kPa occurring in the Boiler.

Filling the Truma Boiler with water

1. Check that the drain valve in the cold water intake is closed. Lever should be in horizontal position, position (e).



e = Lever position "Closed"
f = Lever position "Drain"

2. Open hot tap in bathroom or kitchen, with pre-selecting mixing taps or single-lever fittings set to "hot".

3. Switch on power for water pump (main switch or pump switch).

Leave the tap open to let air escape while the water heater is filling. The heater is filled when water flows out of the tap.

Residues of frozen water can prevent filling if there is a frost. The water heater can be defrosted by switching on the heater for a short period (max. 2 minutes). Frozen pipes can be defrosted by heating the room.

i If just the cold water system is being used, without water heater, the heater tank is also filled up with water. In order to avoid damage through frost, the water contents must be drained by actuating the drain valve, also when the heater has not been used. As an alternative, two shut-off valves, resistant to hot water, can be fitted in front of the cold and hot water connection.

Draining the water heater

! If the mobile home is not used during periods of frost, it is essential that the Boiler be emptied.

1. Disconnect power for water pump (main switch or pump switch).

2. Open hot water taps in bathroom and kitchen.

3. Open Safety/drain valve: Lever in vertical position, position (f).

4. The water heater is now drained directly to the outside via the drain valve. Check that the water contents have been completely drained (10 litres or 14 litres).

Switching on gas operation



a = Red indicator lamp "Failure"
b = Water heater "On" 60 °C or 70 °C
c = Water heater "Off"

! Never operate the water heater without water in it!

If the wall cowl is positioned close to an opening window (or hatch) – in particular directly under it – it must remain closed when the water heater is in use (see warning plate).

1. Remove cowl cover.

2. Open gas cylinder and open stop cock valve in the gas supply line.

3. Switch on water heater at the switch on the control panel (b).

When using the vehicle switches

Refer to operating instructions of the vehicle manufacturer or see switch labels.

4. If there is air in the gas supply line, it may take up to a minute before the gas is available for combustion. If the appliance switches to "Failure" during this period, switch off the appliance – wait 5 minutes – and switch on again!

Switching off (gas operation)

Switch off the water heater to position (c).



If the water heater is not to be used for a longer period, mount cowl cover (non-observance of this point can lead to the function of the appliance being impaired through water, dirt or insects), close stop cock valve in the gas supply line and close the gas cylinder.

! Before setting off on any journey, fit cowl cap with the boiler switched off. Please ensure that it is secure and has locked into place (risk of accident). Defective cowl caps must not be used.

Drain the water heater if there is a risk of frost! There shall be no claim under guarantee if this point is not observed.

Red indicator lamp "failure"

The red indicator lamp (a) lights up if there is a failure. For possible causes please refer to page 4. To unlock, switch off the appliance, wait 5 minutes, and switch on again.

Electrical operation – option – 230 / 240 V, 850 W (3.7 A)

To operate the electric heating element, please insert the plug into the socket and then turn it on with the switch.

The electric heating element is operational when you can see the mark on the switch (g).



⚠ Never operate the water heater without water in it!

i The water temperature cannot be selected, automatic temperature limitation at approx. 70 °C! For a faster heating up period the appliance can be simultaneously operated with gas **and** electrical power.

Maintenance

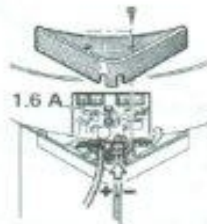
i Materials in the device which come into contact with water are suitable for use with drinking water (see manufacturer declaration: www.truma.com – Downloads – Manufacturer Declaration).

Use wine vinegar for de-scaling the water heater, this being introduced into the appliance via the water supply. Allow the product to react and then thoroughly flush out the appliance with plenty of fresh water. To sterilise the water we recommend "Certisil-Argento". Other products, particularly those containing chlorine are unsuitable.

In order to avoid the colonization of micro-organisms, heat up the Boiler to 70 °C at regular intervals.

Fuses

The water heater 12 V fuse is on the electronic control unit on the water heater.



Important note

Only replace the miniature Fuse on the p.c.b. with a fuse of the same type: 1.6 A (slow action).

If there is a defect in the electronics, return the control p.c.b. well padded. If you fail to pack it correctly the guarantee shall no longer be valid.

Only use original Truma Boiler control p.c.b.'s as spare parts!

Technical data

Manufacturer
Truma Gerätetechnik GmbH & Co. KG
P.O. Box 1252
85637 Putzbrunn / Munich
Germany

Water contents

10 or 14 litres

Water pressure

up to max. 400 kPa

Type of gas

Liquid gas (AUS – Propane, NZ – LPG)

Test point pressure

2.75 kPa

Nominal input

5.0 MJ/h

Heat output

1.5 kW

Gas consumption

120 g/h

Injector size

0.70 mm

Heating up time from approx. 15 °C up to approx. 70 °C
(10 litres / 14 litres)

Gas operation: approx. 34 min. / approx. 50 min.

Electrical operation: approx. 45 min. / approx. 72 min.

Gas and electrical operation: approx. 25 min. / approx. 38 min.

Power consumption 12 V

Ignition: 0.17 A

Heating up: 0.08 A

Standby: 0.04 A

Power consumption 230 / 240 V

Heating up: (3.7 A) 850 W

Weight (empty) 10 litres / 14 litres

approx. 6.4 kg / 6.7 kg

Declaration of conformity

The Truma-Boiler model has been tested and approved through the DVGW and fulfils the EC gas appliance guidelines (90/396/EEC) as well as the associated EC guidelines. The **CE product number** is available for EU countries: CE-0085AP0038

AGA Approval-No

5801

Electrical Approval-No

Q00083

C-tick Mark

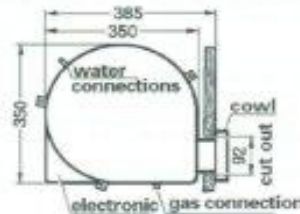
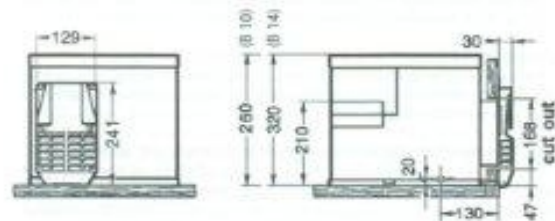
ACN 004947488

Compliance with NZS 5262 section 5



The right to effect technical modifications is reserved!

Dimensions



Fault finding

Gas operation

Symptom	Cause
When switching on, the heater does not operate.	- No 12 V supply voltage.
Check the power supply (operation voltage min. 10.5 V). Check the Boiler fuse (refer to maintenance "Fuses").	
When switching on, the heater does not operate and the red lamp lights up after approx. 30 secs.	- Cowl cover fitted. - Air in the gas supply. - No gas supply. - Incorrect gas pressure.
Remove cowl cover and / or clear any obstruction. Check gas valves and gas bottle. To unlock (and purge air), switch off the appliance, wait 5 minutes, and switch on again.	
Heater operates for a prolonged time and then the red lamp lights up.	- Over temperature thermostat operated.
Check water content, refill if required (close drain valve). To unlock, switch off the appliance, wait 5 minutes, and switch on again.	

Electrical operation

Symptom	Cause
When switching on, the heater does not operate.	- No 240 V supply voltage. - Over temperature thermostat operated.
Connect the caravan to the site supply and / or check residual current circuit breaker. Check water content, refill if required (close drain valve).	
The electrical heating element is fitted with an excess temperature cut-out. In event of a fault, switch off at the control panel, wait 5 minutes, then switch on again.	

Water supply

Symptom	Cause
Water drips from the safety valve.	- Water pressure too high.
Check water pressure (max. 400 kPa), use a pressure reducer when connected to central water supply.	
When opening the cold water tap, hot water comes out.	- Hot water flows back through the cold water supply.
Fit a no-return valve in the cold water supply (refer to installation instructions "Water connection").	

If fault persists please contact the nearest Dometic Service.

Manufacturer's terms of warranty

The manufacturer grants a warranty for malfunctions in the appliance which are based on material or production faults. In addition to this, the statutory warranty claims against the seller remain valid.

The warranty claim is not valid for damage to the appliance

- as a result of not original Truma parts being used in the appliance and as a result of unsuitable gas pressure regulators being used,
- as a result of non-compliance with the installation instructions and instructions for use,
- as a result of incorrect handling,
- as a result of incorrect packaging for transportation.

The warranty is valid for malfunctions as stated above, which occur within 12 months after conclusion of the purchase agreement between the seller and the final consumer. The manufacturer shall rectify such malfunctions by way of repair, however, the manufacturer also reserves the right to supply a replacement instead of repairing said malfunctions. Claims for indirect damage or consequential damage shall be rejected. This does not affect the rules of the product liability law.

The manufacturer shall bear the cost of employing the Truma customer service for the removal of a malfunction under warranty - in particular transportation costs, traveling expenses, job and material costs, as long as the service is carried out in Germany. Customer service carried out abroad is not covered by the warranty.

Additional costs based on complicated removal and installation conditions of the appliance (e. g. removal of furniture or parts of the vehicle body) do not come under warranty.

In Germany, the Truma Service Center in Putzbrunn / Munich must always be contacted in event of a malfunction; Abroad, respective service partners are available (refer to address list). Complaints must be specified. In addition, the correctly completed warranty certificate must be presented or the Serial number of the appliance and the date of purchase specified. Proof of purchase must be supplied.

Installation instructions

This appliance must be installed by an authorised person.

This appliance shall be installed in accordance with the manufacturer's installation instructions, local gas fitting regulations, municipal building codes, electrical wiring regulations, AS5601 "Gas Installations", any other statutory regulations and water supply regulations.

Data label

The data label is located on the top of the water heater.

This appliance is suitable for propane gas only, ensure that the available gas supply is suitable.

Intended use

This appliance has been designed for the installation in caravans, mobile homes and other vehicles. It is not approved for installation in boats. Other forms of use are also possible following consultation with Truma.

Regulations

Any modifications to the unit, including accessories and cowl, or the use of spare parts and accessories that are important to the operation of the system that are not original Truma parts and failure to follow the installation and operating instructions will cancel the warranty and indemnify Truma from any liability claims. It also becomes illegal to use the appliance, and in some countries this even makes it illegal to use the vehicle.

The operating pressure for the gas supply is 2.75 kPa (AUS - Propane, NZ - LPG) and must correspond to the operating pressure of the appliance (see data plate).

When installing the appliance always observe the technical and administrative rules and regulations of the country in which the vehicle is to be registered, for the first time!

Water heater kit

The water heater kit contains:

- 1 Assembled water heater
- 1 Cowl assembly with screws
- 1 Hot water connector (12 mm rigid piping)
- 1 Cold water connector (12 mm rigid piping)
- 1 Safety (pressure relief) drain valve (12 mm rigid piping)
- 1 Pressure reducer (12 mm rigid piping)
- 1 Wall switch (gas operation) with 2.5 m cable
- 1 Electric heating element (230 / 240 V) with 1,1 m mains cable and pre-fitted plug - **option** -
- 1 Gas inlet connection, 14 mm / UNF 1/2" -20 (SAE 45° Male AN Flare)
- 1 Installation template
- 1 Set literature
- 1 Label with warning information

In order to guarantee complete emptying of the water content, ongoing sealing tightness of the water connections and safety function **all enclosed parts must be used!**

Choice of location

1. Always install the appliance in such a way that it is easily accessible for service work at all times and can be easily removed and installed.
2. Locate the heater in such a way that the cowl can be mounted on the outside on a surface which is as straight and smooth as possible.

This outside surface must be exposed to wind from all directions and, if possible, there should be no trim strips or covers in this area, mount heater on an appropriate base, if necessary.

The cowl must be placed in such a way that the exhaust gas cannot find its way into the vehicle interior. For this reason, choose a location where there are no opening windows, skylights or ventilation openings directly above the cowl or for 50 cm on either side, if this is not possible, a warning plate must be placed on the inside of the window (or skylight) stating that it must be kept closed while the heater is operating. In this case refrigerator ventilations must be tight-sealed from the interior of the vehicle.

AUS:

Refer to AS5601 - Gas Installations, for location requirements of the flue terminal.

NZ:

Refer to NZS 5428 - LPG installations

Installation of the water heater

1. Position template for cowl opening on the inside of the wall.

A = Bottom edge of heater
B = Lateral edge of heater

Drill 4 holes (C) with 10 mm dia. through the wall. Drill hole (E) with 15 mm dia. for condensation tube (also possible from the outside = F).

2. Position template on the outside of the wall. The markings (C) must be above the through-holes. Saw cut-out section for cowl (D) 92 x 168 mm.

If the distance between outside wall and heater is more than 35 mm you must use the cowl extension VBO 2 (please refer to the last page) with an additional length of 50 mm. Saw out 100 x 176 mm along the dashed line.

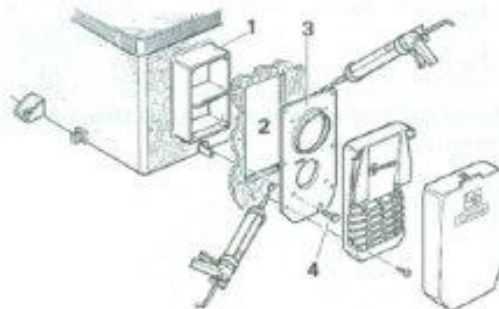
If there are any cavities in the area of the cowl, pack these with pieces of wood so as to be able to tighten the screws. The finished hole should be 168 mm high and 92 mm wide.



Cut out trim strips or such on the vehicle or place supports beneath them so as to make the cowl lie flat.

Place a support beneath the heater if the walls are sloping. An angle of inclination of 10 degrees is not to be exceeded.

3. Insert heater with cowl body (1) through the wall cut-out (2), allow approx. 5 mm to project out of the wall. Mount sealing frame (3 - the anti-twisting device ensures correct fitting). Pre-drill holes for the 6 fastening bolts (4).



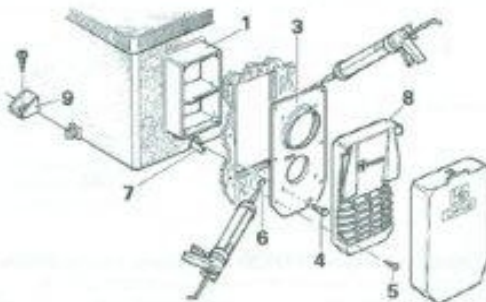
4. Remove sealing frame (3) and coat with non hardening mastic on the side facing the vehicle – do not use silicone!

⚠ The sealing frame must be well sealed with respect to the front sides and the cross bars of the cowl body (1) as well as towards the outside wall!

5. Fasten sealing frame (3) to the cowl body using 4 self-cutting screws (4).



6. Seal the gap between the hole (6) and the condensation tube (7) with non hardening mastic – do not use silicone!



7. Mount the grille (8). Press the entire cowl assembly onto the vehicle wall and fasten with 6 screws (5).

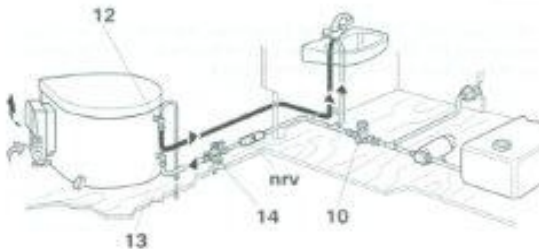
8. Screw the boiler securely to the floor of the vehicle with at least two shackle plates (9) with the screws provided, B 5.5 x 25, on suitable base (plywood panel, laminated wood strips or metal base).

Water connection

All pressure and submergible waterpumps can be used for operating the water heater.

⚠ In order to guarantee complete emptying of the water content and to prevent pressures of greater than 400 kPa occurring in the boiler, the enclosed pressure reducer (10), the enclosed water connectors (12 + 13) and the enclosed safety (pressure relief) drain valve (14) must be used!

When using pressure pumps with high switching hysteresis, hot water may flow back through the cold water tap. To prevent the backflow, we recommend that a non-return valve (nrv – not included in the scope of supply) be fitted between the outlet to the cold water tap and the drain valve.



ⓘ The supplied water connectors (12 + 13) and Safety/drain valve (14) have a 12 mm rigid piping connection (e.g. John Guest System). For connecting to rigid pipes with other diameters appropriate adapters (not included in scope of delivery) must be used.

As special accessories Truma supplies the water connectors (12 + 13) and Safety/drain valve (14) with a 10 mm / 3/8" diameter hose nipple (please refer to the last page).

⚠ Route water pipes so that they are as short and free of kinks as possible (hose connections must be secured using hose clamps – also for cold water! – pressures of up to 400 kPa can occur in the Safety/drain valve – also with submergible pumps – because of the heat of the water and the resulting expansion).

⚠ All hot water pipes should be routed in a descending manner to the Safety/drain valve! Otherwise no guarantee of protection from frost!

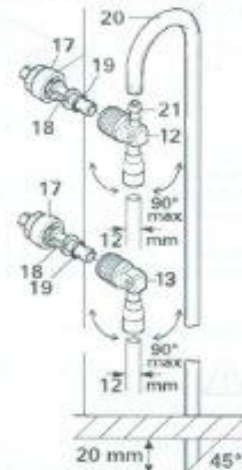
Installation of the elbow water connectors

Screw elbow with integrated breather valve (12) to hot water connection pipe (upper pipe) and elbow without breather valve (13) to cold water connecting pipe (lower pipe).

Slide on nut (17), tension ring (18) and O-ring (19). Assemble screw connector and connecting pipe and fasten together using nut (17).

Slide ventilation hose with 11 mm outer diameter (20) onto the breather valve hose nozzle (21) and route towards the outside. Do not allow the radius of the arc to be less than 40 mm.

Cut off the ventilation hose approx. 20 mm below the floor of the vehicle at an angle of 45° to the direction of travel.



In industrial bulk packs the water connections are preinstalled and have to be tightened after the water pipes have been connected. Please check for leaks before starting up for the first time.

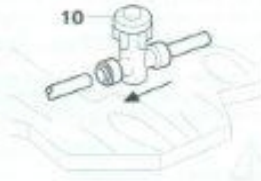
Installation of the safety (pressure relief) drain valve

Install the Safety/drain valve (14) at a place which is easily accessible, near the water heater. Drill a hole with 18 mm diameter and pass through the discharge tube. Fasten Safety/drain valve with two screws. The draining is to be directly to the outside at a position protected against splash water (apply splash guard, if necessary).



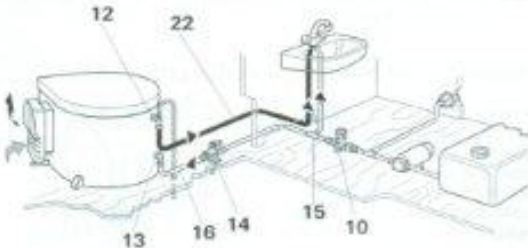
Installation of the pressure reducer

The pressure reducer (10) must be fitted between the Safety/drain valve and water pump in accordance to the **direction of flow**. Fasten the pressure reducer to the floor



Water pipe routing

Connect the cold water supply (15) via the pressure reducer (10) to the Safety/drain valve (14).



Produce connection (16) for cold water supply between Safety/drain valve (14) and elbow (13 – lower pipe) on water heater.

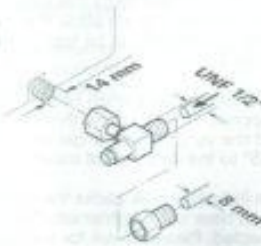
Route the hot water pipe (22) from the elbow with integrated breather valve (12 – upper pipe) to the hot water consumers.

Gas connection

! The gas inlet connection on the Boiler is a 14 mm metric connection.

To connect, the UNF 1/2" - 20 (SAE Male AN Flare) gas inlet connection provided with the appliance must be used.

For connection to 8 mm steel piping Truma provides an adapter UNF 1/2" x RVS 8, part no. 70020-02700.



In industrial bulk packs the test connection is preinstalled and has to be tightened after the gas line has been connected. Please check for leaks before starting up for the first time. Check for gas leaks (do not check for gas leaks with a naked flame), then check that the gas pressure is as follows:

AUS: Propane gas – 2.75 kPa
NZ: LPG – 2.75 kPa

Before connecting to the water heater make sure that the gas lines are free from dirt, chips and such!

Route the pipes in such a way that the appliance can be removed again for servicing.

AUS:

Refer to AS5601 – Gas Installations, for gas pipe sizing.

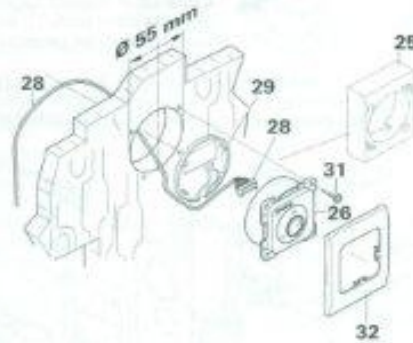
NZ:

Refer to NZS 5426 – LPG installations

Installation of the control panel

! When using control panels which are specific to the vehicle or the manufacturer, the electrical connection must be established in accordance with the Truma interface descriptions (refer to Electrical connection 230 / 240 V). Any modification made to the Truma components pertaining to this will lead to the invalidation of the guarantee, as well as to the exclusion of any claims for liability. The installer (manufacturer) is responsible for providing instructions for use for the user as well as for identification printing on the control panels.

When selecting the location, bear in mind that the control panels must not be subjected to direct radiant heat. Length of connection cable 2.5 m. If required, a cable extension of 5 m can be supplied (refer to last page).



Drill a hole with diameter 55 mm.

Plug the control panel cable (26) to the control panel for gas operation (26) and then fit on the rear cover cap (29) as a stress-relieving device.

Push the cable through to the rear and lay the connection cable (28) to the boiler.

Lay the connection cable with the orange multipole connector (28) to the 12 V control electronics unit (for connection refer to Electrical connection 12 V).

Secure control panel with 4 screws (31) and fit the cover frame (32) on it.

i If a flush installation of the control panel it is not possible, use the surface-mounting frame (25) as supplied.

Electrical connection 12 V

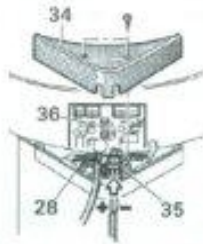
Always disconnect the appliance from the power supply prior to working on electrical components. It is not sufficient to just switch off at the control panel!

The appliance must be disconnected from the vehicle main power supply when carrying out any electric welding work on the vehicle body.

! If the connections are transposed there is a risk of cable burning. This also rules out any guarantee or liability claims.

Unscrew cover (34) from the electronic control unit. Slide cable connector of control panel (26) onto the p.c.b.. The electrical connection is made at terminal (35).

To connect press with a small screwdriver from above and push in cable from the front.



Orange = Positive 12 V
Blue = Negative

Connect to fused vehicle mains (central electrical equipment 5 – 10 A) using a 2 x 1.5 mm² cable.

Negative cable to central earth. With lengths of over 6 m use a cable 2 x 2.5 mm². If connecting directly to the battery, the positive and negative cable must be fused. Screw cover (34) back on.

There are to be no other 12 V consuming appliances connected to the supply line!

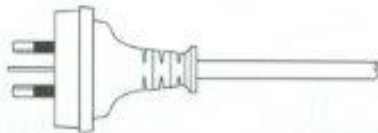
The water heater fuse (36), 1.6 A, (slow-acting) is on the p.c.b..

When power supplies are being used, it must be noted that the output voltage is between 11 V and 15 V and the alternating current ripple is < 1.2 Vpp.

Electrical connection 230 / 240 V – option –

 The electrical connection is only to be carried out by a licensed electrician. The information given here is not intended as information for the layman, rather it is to for assisting the assigned electrician, as additional information, when connecting the appliance!

The electric heating element in the water heater is supplied with a mains cable and fitted 3-pole, earthed plug (in compliance with the norm AS/NZS 3112/2000)



In order to operate the element the manufacturer of the vehicle has to supply and install a socket with switch (2-pole separation) which is approved in Australia and earthed.

 All cables must be secured with cable clips.

Cables must be in accordance with the technical rules and regulations of the country in which the vehicle is to be registered, for the first time.

Function check

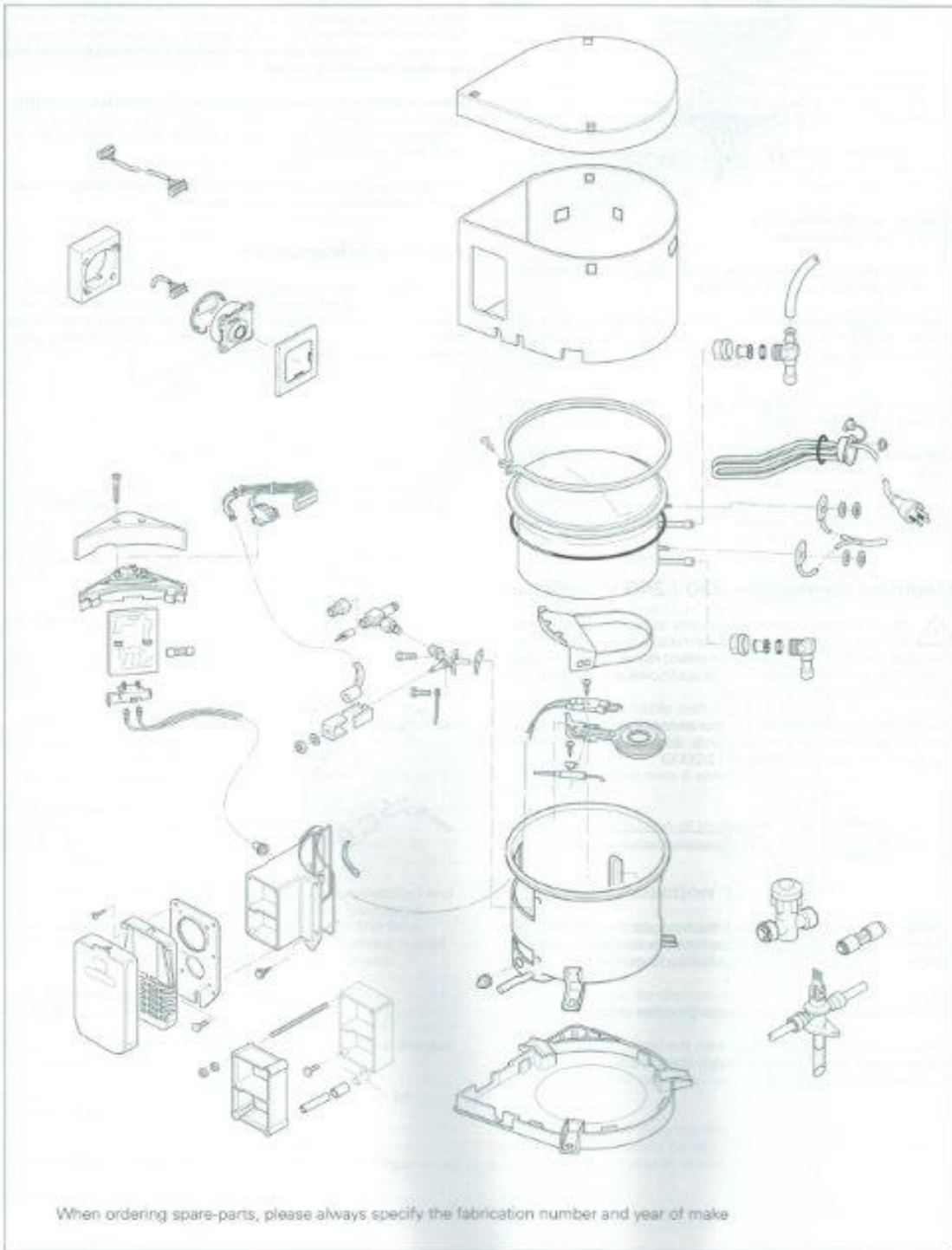
After installation, check gas supply line for leaks in accordance with the pressure drop method. Following this, check the function of the appliance as specified in the operating instructions, check the function of the draining of the water contents, in particular. **There shall be no claims under guarantee for damage caused by frost!**

Never operate the water heater without water contents. It is, however, possible to briefly check the electrical function without water contents. Always observe the operating instructions prior to operation!

The operating instructions and completed guarantee card are to be given to the owner of the vehicle.

Warning information

The installer or vehicle owner must apply the yellow sticker with the warning information, which is enclosed with the appliance, to a place in the vehicle where it is clearly visible to all users (e. g. on the wardrobe door) Ask Dometic to send you stickers, if necessary.



Accessories

Safety/drain valve and water connectors for flexible water hoses

- 34150-01 Hot water connector, 10 mm / 3/8"
- 70150-01 Cold water connector, 10 mm / 3/8"
- 70141-02 Safety/drain valve (400 kPa), 10 mm / 3/8"



Control panel extension cable

- 70000-53500 Control extension cable 5 m



Cowl extension for wall thicknesses over 35 mm

- 70131-00 Cowl extension VBO 2



Boiler

L. P. Gas and 230 / 240 V Electric Storage Water Heater Model B 10 / B 14 from 08/2008





In Germany, always notify the Truma Service Centre if problems are encountered; in other countries the relevant service partners should be contacted (see Truma Service Booklet or www.truma.com). Having the equipment model and the serial number ready (see type plate) will speed up processing.

70019-29100-01 - 11/2009 - 0m - 6

Dometic Pty Ltd
6 Treforest Drive,
Clayton, Victoria 3168
Australia

Service (Australia)

Telephone: (03) 95 45 58 55
Facsimile: (03) 95 45 59 66

Leisure Appliances NZ Ltd
26 Cashew Street, Grenada
North, Wellington
New Zealand

Service (New Zealand)

Telephone: (04) 232 38 98
Facsimile: (04) 232 38 78

Boiler

L.P. Gas and 230/240 V Electric Storage Water Heater Model B 10/B 14 from 08/2008

Garantiekarte
Guarantee Card
Bon de Garantie
Certificato di Garanzia
Garantiebon
Garantikort
Tarjeta de garantía

Handler-Adresse
Dealer's address
Adresse du commerçant
Timbro del rivenditore
Dealeradres
Forhandleradresse
Dirección del comerciante

Verkaufsdatum
Date of sale
Date de vente
Data di vendita
Verkoopdatum
Salgsdato
Fecha de venta

Fabrik-Nummer
Serial number
No. de fabricación
No. di matricola
Serie-nummer
Seriennummer
Número de fábrica

10 l
 14 l

