

# ENGEL

E SERIES MODELS

**SRT-5108E-G4**

**ST90E-G3**

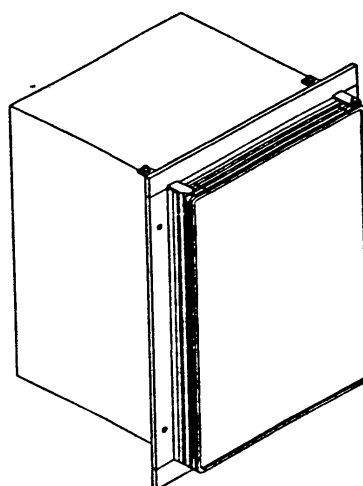
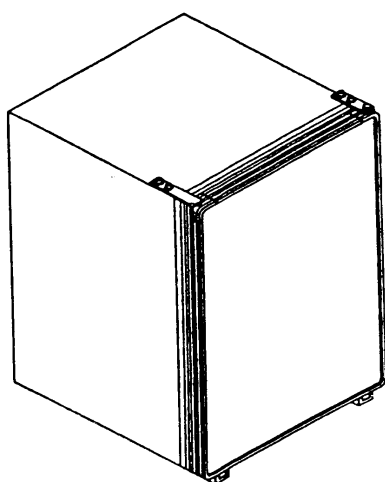
**SRBT-5108E-G4**

**SR90E-G3**

**SR90E-G3-SA**

---

## PARTS LIST



SERVICE CODE : QP - 01

**SAWAFUJI ELECTRIC CO., LTD.**



Model : SR90E

Illustration Number	Japanese Part Number	Description	Australian Part Number
1	1609 283 00	Cabinet	
2	8050 050 104	Screw	
3	8340 050 001	Toothed Lock Washer	
4	1609 243 00	Holder Assembly	DCWTP
5	5055 023 30	Hinge Pin	SRDHP
6	3041 110 00	Plate (Hinge)	
7	5030 019 001	Washer	
11	1609 240 00	Inner Case Assembly	5108DIL
12	8083 044 122	Tapping Screw	
13	1609 048 00	Inner Hinge (for Evaporator)	5108DHB
14	4226 001 20	Evaporator Frame	
15	1602 067 00	Dial Assembly	TDK
16	1602 030 00	Ice Cube Tray	043ICT
17	4330 005 00	Drainage Pan	5108DPT
18 - 1	5230 012 10	Shelf	5108DSRS/1
18 - 2	5230 012 20	Shelf	5108DSRS
19	6451 039 50	Holder	
20	5450 747 00	Mark	SRDTCP
21	4303 070 00	"I" Plate	
22	6451 005 10	Fastener	
23	4160 042 00	Bushing	
24	1601 140 20X9	Temperature Control Assembly	SR90ETC
25	1601 139 40X9	Power Supply	SREPS
28	8083 044 121	Tapping Screw	
29	8340 040 00	Toothed Lock Washer	
30	8000 040 121	Screw	
31	8084 043 081	Tapping Screw	
32	3221 191 00	Cover	
33		Caution Plate	
35	6016 001 10	Grommet	
36	1912 116 51	Cord Assembly	
37	8073 044 121	Tapping Screw with Toothed Lock Washer	
38	4390 103 00	Heat Insulator	
39	1612 127 00	Plate Blind	
40	8083 044 121	Tapping Screw	
41	1610 080 10	Cooling Unit	5108CU

Model : SR90E

Illustration Number	Japanese Part Number	Description	Australian Part Number
42	4160 042 00	Bushing	
43	8073 044 121	Tapping Screw	
44	4223 050 00	Thermistor Holder	TH
45	8080 043 082	Tapping Screw	
46	3211 059 00	Holder	
47	3220 053 10	Holder	
48	8073 044 124	Tapping Screw	
49	6055 054 00X9	Evaporator Thermistor	T515EVAP-E
53	1902 647 10	Coupler Assembly	
54	1921 166 05	Cord with Terminal	
55	8084 043 081	Tapping Screw	
56	8071 043 163	Tapping Screw	
57 - 1	1600 279 00	Door Assembly (Teak)	5108DD
57 - 2	1600 279 30	Door Assembly (Grey)	
58	4225 089 00	Door Pocket	5108DPOC
59	4225 086 00	Partition	543DPDIV
60	1609 239 01	Frame Assembly	
61	3023 117 00	"S" Plate (Teak)	
62	4120 066 90	Cushion	
63	4120 066 80	Cushion	
64	4276 027 21	Bottom Frame	5108DBB
65	1600 038 20	Evaporator Door Assembly (Black)	5108DFD
66	4331 010 00	Inner Door Plate	
67	4148 007 00	Inner Door Gasket	
68	4390 048 00	Heat Insulator	
69	4225 006 20	Inner Door	
70	8260 041 009	Nut	
71	8320 042 001	Spring Washer	
72	8300 041 009	Washer	
73	5206 002 00	Torsion Bar	
74	8000 040 124	Screw	
75	8083 034 062	Tapping Screw	
76	8340 040 001	Toothed Lock Washer	
77	3230 090 00	Frame (Side Frame)	5108DSF
78	3230 091 00	Frame (Top & Bottom Frame)	5108DTBF
79	4221 015 10	Cap	
80	1609 306 20X9	Fan Assembly	5108EFM
		Filter Dryer	515FDM
		Cushion Swing Motor Grommet	SMCG
		Cushion Swing Motor Grommet Top	SMCGT
		Speed Nut Swing Motor	SNSM
		Evaporator	5108EVAP