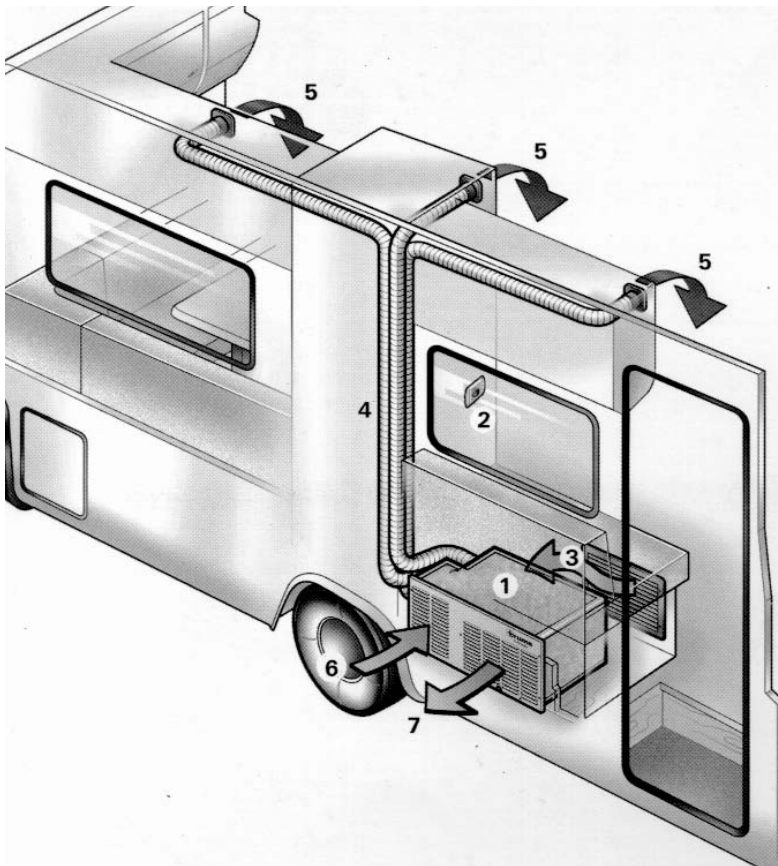


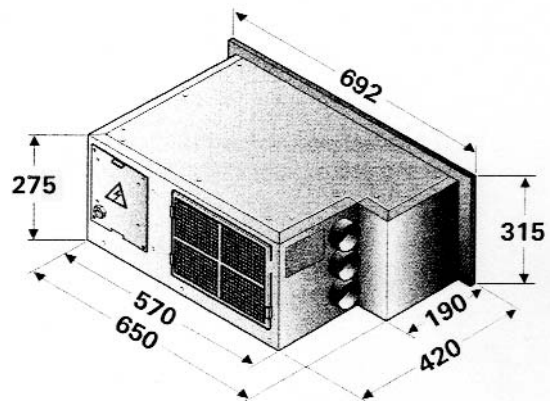
Model: Dometic Climaster Underbunk Air Conditioner

Part Number: 44070-01



- Ⓛ Reverse cycle
- Ⓛ One piece, precharged unit - no plumbing or connections required
- Ⓛ Easy installation
- Ⓛ Light weight
- Ⓛ Suited for vans up to 16' 6" (external)
- Ⓛ Dometic one year warranty

The Dometic Climaster under bunk airconditioner allows the freedom to direct airflow exactly to where it is needed. A three pipe connection on the unit allows for the nozzles to be installed precisely to suit individual needs.



TECHNICAL DATA

Nominal Cooling	
approx. capacity, kW	2.2
Voltage, Volts	240
Cycles, Hz	50
Nominal Heating	
approx. capacity, kW	1.9
Recommended Generator	
capacity kW	2.5

DIMENSIONS

Unit size:	Length, mm	650
	Width, mm	420
	Height, mm	275
Weight, kg approx.		32

Note the Climaster is supplied as individual items, the average installation will require the following.

Directional air outlets by 3
40170-10



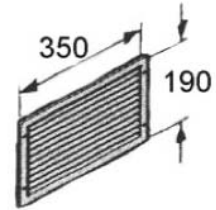
Backing nuts to suit air outlets by 3
40180-00



Air ducting securing clamps by 3
40240-02



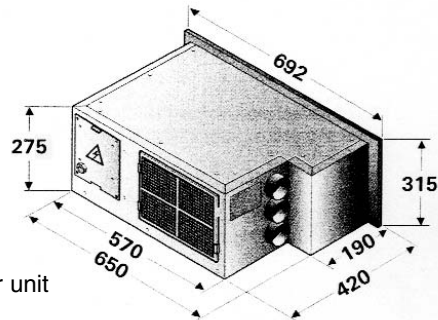
Internal air intake grill by 1
40040-29200



Air ducting supplied in roll or by the metre

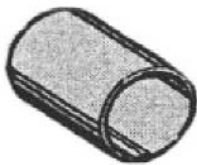
40200-01 per 50ft roll

40200-02 per metre



Compressor unit
44070-01

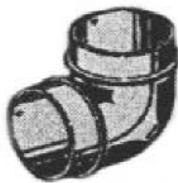
Extra Climaster air ducting accessories are available



Air duct joining tube
40160-01



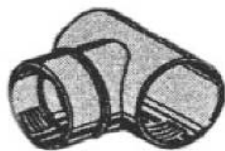
Directional air outlets
40170-10



90 Degree elbow
39010-76400



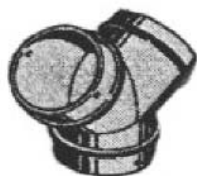
Backing nuts to suit outlets
40180-00



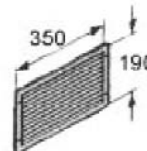
T adapter
40150-01



Ducting securing clips
40240-02



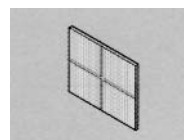
Y adapter
40190-00



Internal air intake grill
40040-29200

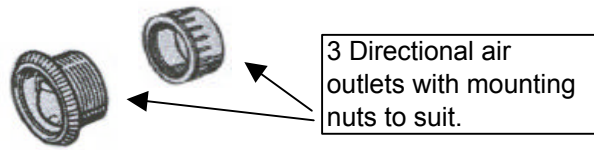
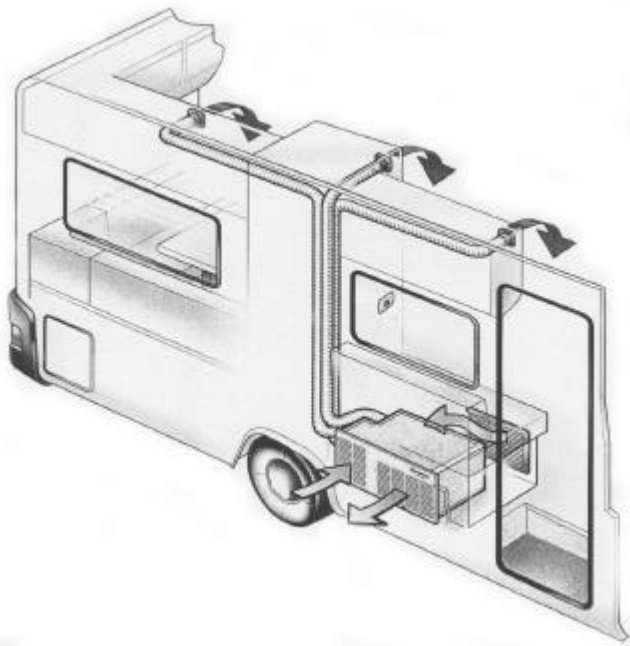


Air ducting tube
40200-01



Return air filter
40040-61900

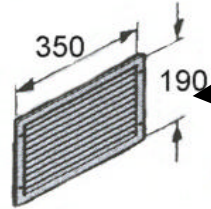
Climaster air distribution accessories



3 Directional air outlets with mounting nuts to suit.



4 Hose securing clamps.



1 Internal air grill



10 Metres of Climaster insulated air conditioning ducting

Extra Climaster air ducting accessories are available.



Air duct Joining tube.
40160.01



Directional air outlets.
40170.10



90 Degree elbow.
39010.76400



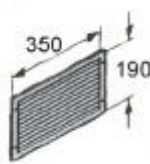
Nuts to suit outlets.
40180.00



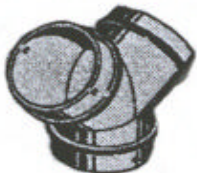
Ducting securing clips.
40240.02



Tee adaptor.
40150.01



Air intake grill.
40040.29200



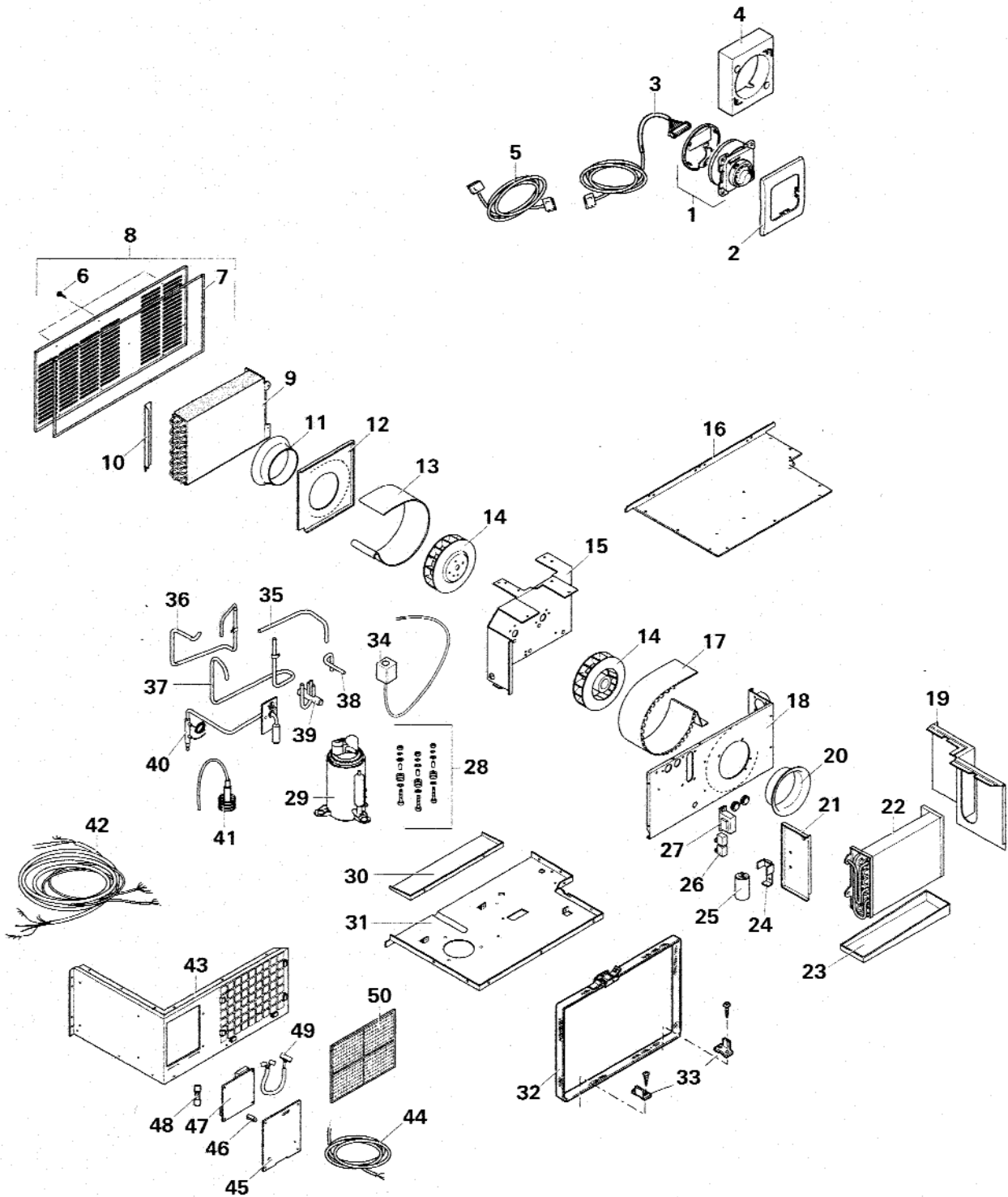
Y adaptor.
40190.00



Air ducting tube.
40200.01

Dometic AIR CONDITIONERS - SPARE PARTS

Model: Dometic Climaster Underbunk Air Conditioner



Model: Dometic Climaster Underbunk Air Conditioner

ITEM No.	PART No.	DESCRIPTION
1	40040-58500	Control Panel without 84159090
8	40040-62100	CL External Air Grill
14	40040-20900	CL Condenser Fan
25	40040-16600	CL Compressor Start Capacitor
27	40040-16500	CL Fan Speed Choke
29	40040-61700	CL Compressor
34	40040-61800	CL Solenoid Coil
39	40040-62000	CL Reversing Valve Assembly
40	40040-61000	CL Capillary Tube Assembly
47	40040-61200	CL Electronic PCB
50	40040-61900	CL Air Intake Filter

Refer to Items on previous page

39010-76400	CLIMASTER, 90 ELBOW DUCT JOINER
40040-24200	CL Temperature Sensor
40040-24300	CL Anti Freeze Sensor
40040-29200	CLIMASTER, AIR INTAKE GRILL
40150-01	CLIMASTER, "T" DUCT JOINER
40160-01	CLIMASTER, STRAIGHT DUCT JOINER
40170-10	CLIMASTER, AIR OUTLET
40180-00	CLIMASTER, AIR OUTLET NUT
40190-00	CLIMASTER, "Y" DUCT JOINER
40200-01	CLIMASTER, Ducting (50ft Roll)
40200-02	CLIMASTER, Ducting (per metre)
40240-02	CLIMASTER, DUCT CLAMP

Parts not illustrated

40040-49600	CL Block Capacitor
40040-60500	Template