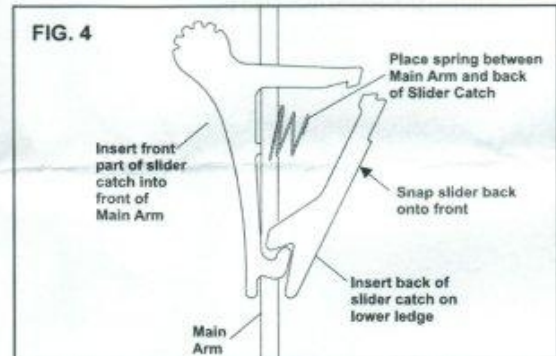
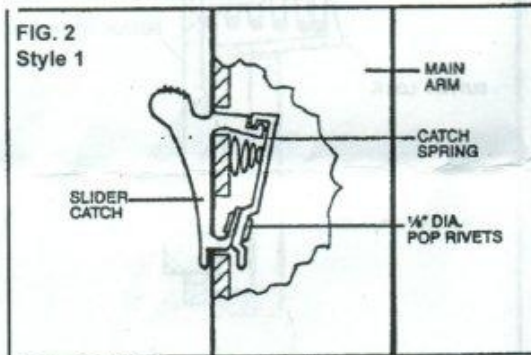
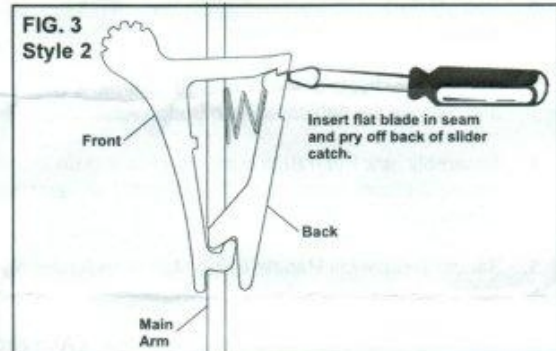
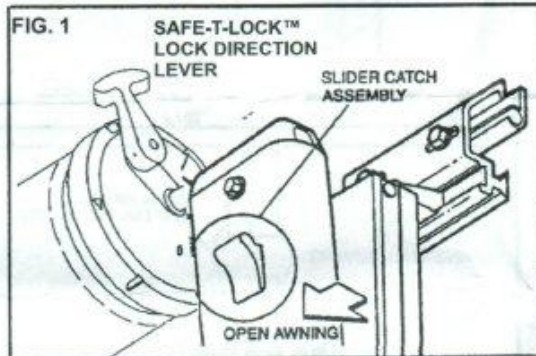


SLIDER CATCH & PUSHBUTTON REPLACEMENT INSTRUCTIONS



830472.002 SLIDER CATCH KIT REPLACEMENT INSTRUCTIONS

1. Slider Catch Removal

A&E has used two different slider catch assemblies in the manufacturing of their hardware. One (Style 1) used two pop rivets to hold it in place the the other (Style 2) slider catch snaps together. FIG. 2 & 3.

A. Style 1

Extend the awning and remove the two pop rivets from the inside of the Main Support Arm with a 1/8 inch diameter drill. Remove the slider catch. See FIG. 1 & 2.

B. Style 2

Extend the awning and insert a small flat bladed screwdriver into the seam between the back and front of the catch. Pry the back off and remove the slider catch. See FIG. 1 & 3.

2. Slider Catch Replacement

- Insert the new Slider Catch through the hole in the main arm from the front. See FIG. 4.
- Insert the lip of the back into the lower ledge. Place the spring between the back of the slider catch and the Main Arm. Snap the back of the slider into the front piece being careful not to allow the spring to come out. See FIG. 4.

REVISION

Form No. 3106157.013 10/99
(Replaces 3106157.005)
© 1999 The Dometic Corporation
LaGrange, IN 46761

830023.001 PUSHBUTTON REPLACEMENT INSTRUCTIONS

1. Open awning and raise Rafter Arms up to the Slider Catches. Dismount the Support Arm of the defective side from the Bottom Mounting Bracket. Slide out the Adjustable Arm from the Main Support Arm. See FIG. 1.
2. Drill out the two Rivets holding the Deluxe Lift Handle Assembly in place. Use a 3/16" Diameter Drill Bit.
3. Drill out the Rivets using #7 of 3/16" Diameter Drill Bit and remove the defective Push Button Assembly.
4. Assembly new Push Button as shown in Figure 2 and secure in place using SD BS Rivets 3/16" Diameter Pop Rivets.
5. Secure Deluxe Lift Handle to the Main Arm Assembly using two 3/16" x 3/8" Grip Pop Rivets.
6. Slide Adjustable Arm back into Main Support Arm and return Hardware to mounted position.

