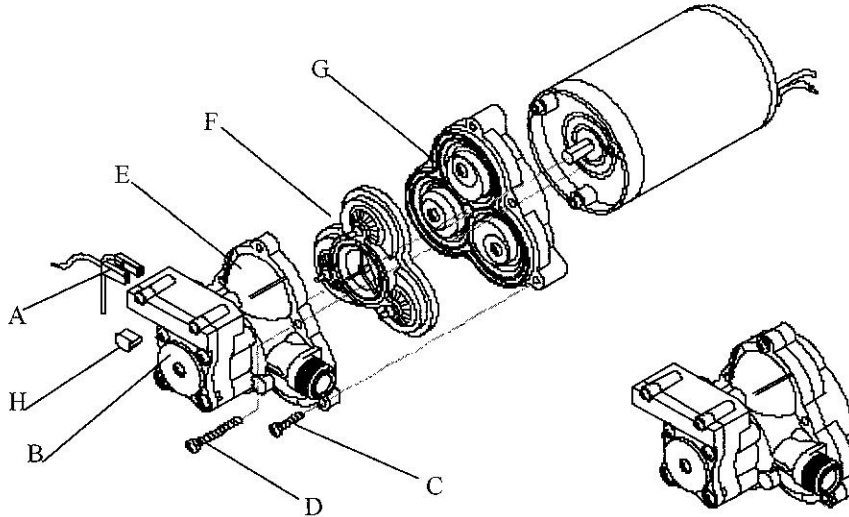


UPPER HOUSING / SWITCH KIT 2088 / 2090 PUMPS

EARLIER VERSIONS:

This kit fits all earlier versions of the model 2088. Do not be alarmed if this kit appears physically different than your existing upper housing/switch assembly.

NOTE: Before starting work, make certain that power to pump is off. Release liquid pressure on the outlet line of pump before performing maintenance. You may find it easier to remove the pump and work on a bench.



DISASSEMBLY:

1. Disconnect lead wires (A) from pressure switch (B). Note which wire goes to each lead on the switch. On pumps with sealed marine switch, wire from motor to switch must be cut.
2. If equipped, remove the strain relief plug (H) by pushing out on plug from the motor side with a flat blade screwdriver. Pull the lead wires through the strainer relief.
3. Remove the three upper housing screws (C). Note: Do not remove the pressure switch screws.
4. Remove the three long screws (D). These screws hold the pump assembly to the motor. Note: If you work carefully, the lower housing will not separate from the motor assembly.
5. Remove the upper housing (E).
6. Remove the valve assembly (F) from the upper housing.

ASSEMBLY:

1. Locate the valve assembly (F) flush with the diaphragm (G) (Align groove in diaphragm with groove in valve assembly).
2. Place the new upper housing (E) on top of the valve assembly (F).
3. Tighten the three outer screws (C).
4. Put the three long screws (D) in place and screw down until each touches, then tighten each screw securely.
5. Attach the lead wires (A) onto switch. On pumps with sealed marine switch trim red motor wire 5/16" and follow instructions with butt splice connector. Heat connector to seal wire. Do not use open flame in a bilge area, or any other flammable environment.
6. Place the strain relief (H) in original position, if equipped.



SHURflo reserves the right to update specifications, prices, or make substitutions.

SHURflo, LLC Headquarters

5900 Katella Ave.
Cypress, CA 92630
Phone (562) 795-5200 Toll Free (800)-854-3218
FAX (562) 795-7564

SHURflo, LLC East

52748 Park Six Court
Elkhart, IN 46514-5427
Phone (562) 795-5200 Toll Free (800) 854-3218
FAX (574) 264-2169
© 2001 All Rights Reserved

SHURflo Europe, Middle East, Africa

Pentair Water Belgium bvba,
Industriepark Wolfstee, Toekomstlaan 30
B-2200 Herentals, Belgium
Phone +32-14-283500 Fax +32-14-283505