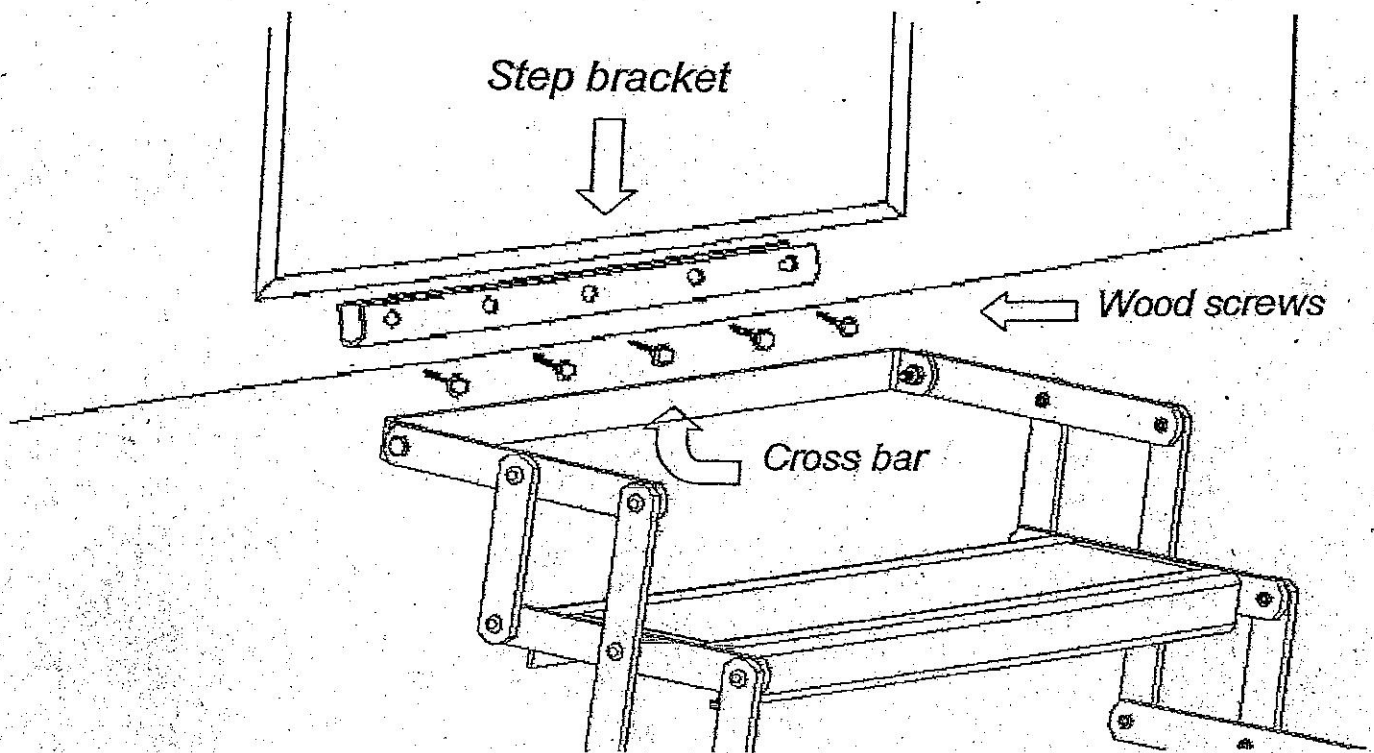


Camper Step Installation

- Fasten camper step bracket to camper under the door using the 5 wood screws provided.
- Hook the step cross bar over and into the bracket for use.
- Remove the step from bracket and store when traveling.



Manufactured by:

Victoria Industries Ltd.

4224 Commerce Circle

Victoria, BC, Canada V8Z 6N6

Phone: (250)386-6231 Fax: (250)383-6533

E-mail: info@hijacker.com Web site: www.hijacker.com