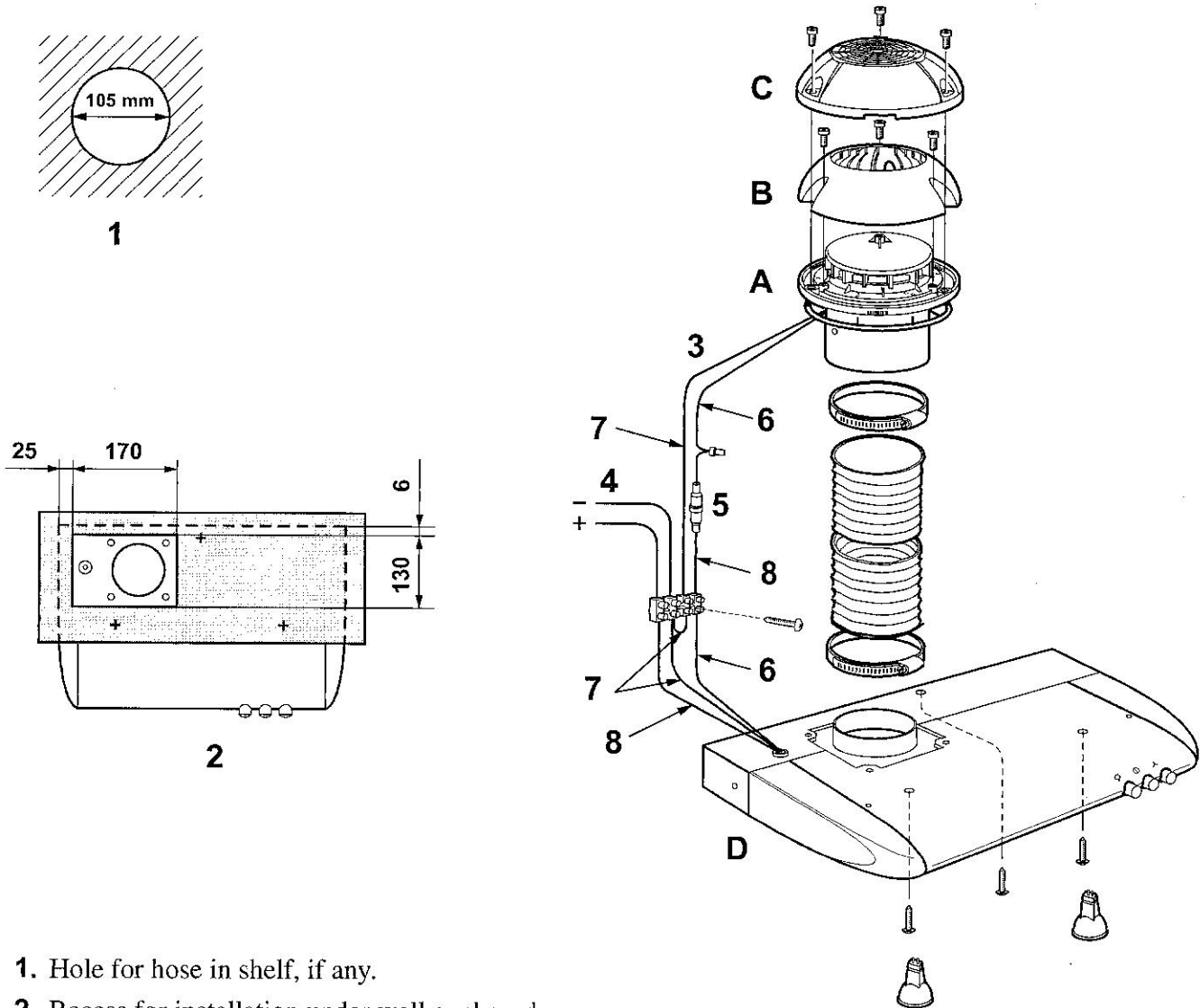





## CK155

Type CK



1. Hole for hose in shelf, if any.
2. Recess for installation under wall cupboard.
3. From the fan.
4. From battery.
5. Fuse holder with a T4 A fuse 5x20 mm.  
Spare part number for fuse: 385 80 65-01.
6. White
7. Black
8. Red

## CONTROLS

-  Lighting: ON/OFF
-  Fan motor: ON/OFF
-  Speed: Half/Full

## PLACING

The ventilator is for use in caravans, motorhomes and boats and designed to be placed above the food preparation area, preferably under an existing top cupboard.

The distance from the gas-stove flame to the lower edge of the cooker hood must not be less than 46 cm.

The ventilator part **A-B-C** should be placed in the roof, on a surface that is as even and horizontal as possible. If the ventilator is positioned on a sloping surface, the part **A** should be rotated so that one of the three drainage openings points downwards. An inclination of up to 20° is acceptable without reducing the ventilation when the motor is not running.


## FITTING THE VENTILATOR

1. Make a hole with a diameter of 105 mm through the roof of the vehicle.
2. Place the ventilator part **A** in the hole and make a mark of the six screw holes.
3. Remove part **A** and apply a thin ring of some permanently plastic sealing compound around each hole.
4. Put the rubber ring into the groove underneath of part **A**. It is important that the lower part should be firmly tightened so that the rubber gasket fits closely against the roof.
5. Fasten the hood **B** in the lower part **A**.
6. Fasten the upper part **C** in the lower part **A**.
7. Make a hole in the bottom of the cupboard as shown on the dimension sketch 2.
8. To access the mounting screw holes, remove the lamps. Fasten the ventilator hood **D** with screws.
9. Fit the hose to the fan and hood. Tighten the hose with the hose clips.
10. Connect the fan to the battery according to the figure.

## THE FAN FILTER

The fan filter that absorbs grease in cooking fumes requires cleaning now and then, how often depends on how much the cooker is used and for how much the fan is in operation. Do not wait until the suction power of the fan begins to decrease noticeably. Cleaning can easily be carried out with hot water to which some synthetic detergent has been added.

## TECHNICAL DATA

Motor power	30 W 
Voltage	12 V
Capacity	125 m <sup>3</sup> /h
Light	2 x 10W, 12V GU4

**NOTE!** This appliance is not intended for use by children or other persons without assistance or supervision if their physical, sensory or mental capabilities prevent them from using it safely. Children should be supervised to ensure that they do not play with the appliance.

