

Other F-products (mainly caravan and boats)
4617

PNC	ELC	Brand	Model	Market
921000507	00	Dometic	CTLP3050	AD - AT - BA - BE - BG - CH - CY - CZ - DE - DK - ES - FI - FR - GB - GI - GR - HR - HU - IE - IS - IT - LI - LU - MC - MT - NL - NO - PL - PT - RU - SE - SI - SK - SM - TR - UA - YU
921000509	00	Dometic	CTS3110	AD - AT - BA - BE - BG - CH - CY - CZ - DE - DK - ES - FI - FR - GB - GI - GR - HR - HU - IE - IS - IT - LI - LU - MC - MT - NL - NO - PL - PT - RU - SE - SI - SK - SM - TR - UA - YU
921000510	00	Dometic	CTW3110	AD - AT - BA - BE - BG - CH - CY - CZ - DE - DK - ES - FI - FR - GB - GI - GR - HR - HU - IE - IS - IT - LI - LU - MC - MT - NL - NO - PL -
				PT - RU - SE - SI - SK - SM - TR - UA - YU
921000511	00	Dometic	CTS3110	AD - AT - BA - BE - BG - CH - CY - CZ - DE - DK - ES - FI - FR - GB - GI - GR - HR - HU - IE - IS - IT - LI - LU - MC - MT - NL - NO - PL - PT - RU - SE - SI - SK - SM - TR - UA - YU
921000512	00	Dometic	CTLP3110	AD - AT - BA - BE - BG - CH - CY - CZ - DE - DK - ES - FI - FR - GB - GI - GR - HR - HU - IE - IS -

Product specification 92100050700 CTLP3050

Electric

Voltage	12 V
Amperage	1,5 A
Performance	18 W
Fuse	7,5 A

Water supply

Out pump rate	7 l/min
---------------	---------

Box

Capacity	19 l
----------	------

Product specification 92100050900 CTS3110

Electric

Voltage	12 V
Amperage	1,5 A
Performance	18 W
Fuse	7,5 A

Water supply

Out pump rate	7 l/min
---------------	---------

Box

Capacity	19 l
----------	------

Product specification 92100051000 CTW3110

Electric

Voltage	12 V
Amperage	1,5 A
Performance	18 W
Fuse	7,5 A

Water supply

Out pump rate	7 l/min
---------------	---------

Box

Capacity	19 l
----------	------

Product specification 92100051100 CTS3110

Electric

Voltage	12 V
Amperage	1,5 A
Performance	18 W
Fuse	7,5 A

Water supply

Out pump rate	7 l/min
---------------	---------

Box

Capacity	19 l
----------	------

Product specification 92100051200 CTLP3110

Electric

Voltage	12 V
Amperage	1,5 A
Performance	18 W
Fuse	7,5 A

Water supply

Out pump rate	7 l/min
---------------	---------

Box

Capacity	19 l
----------	------

Product specification 92100051300 CT3110

Electric

Voltage	12 V
Amperage	1,5 A
Performance	18 W
Fuse	7,5 A

Water supply

Out pump rate	7 l/min
---------------	---------

Vacuum pump

Switch on point	750 mbar
Switch off point	650 mbar
Pump running time	60 sec.

Box

Capacity	19 l
----------	------

Product specification 92100051400 CT3110

Electric

Voltage	12 V
Amperage	1,5 A
Performance	18 W
Fuse	7,5 A

Water supply

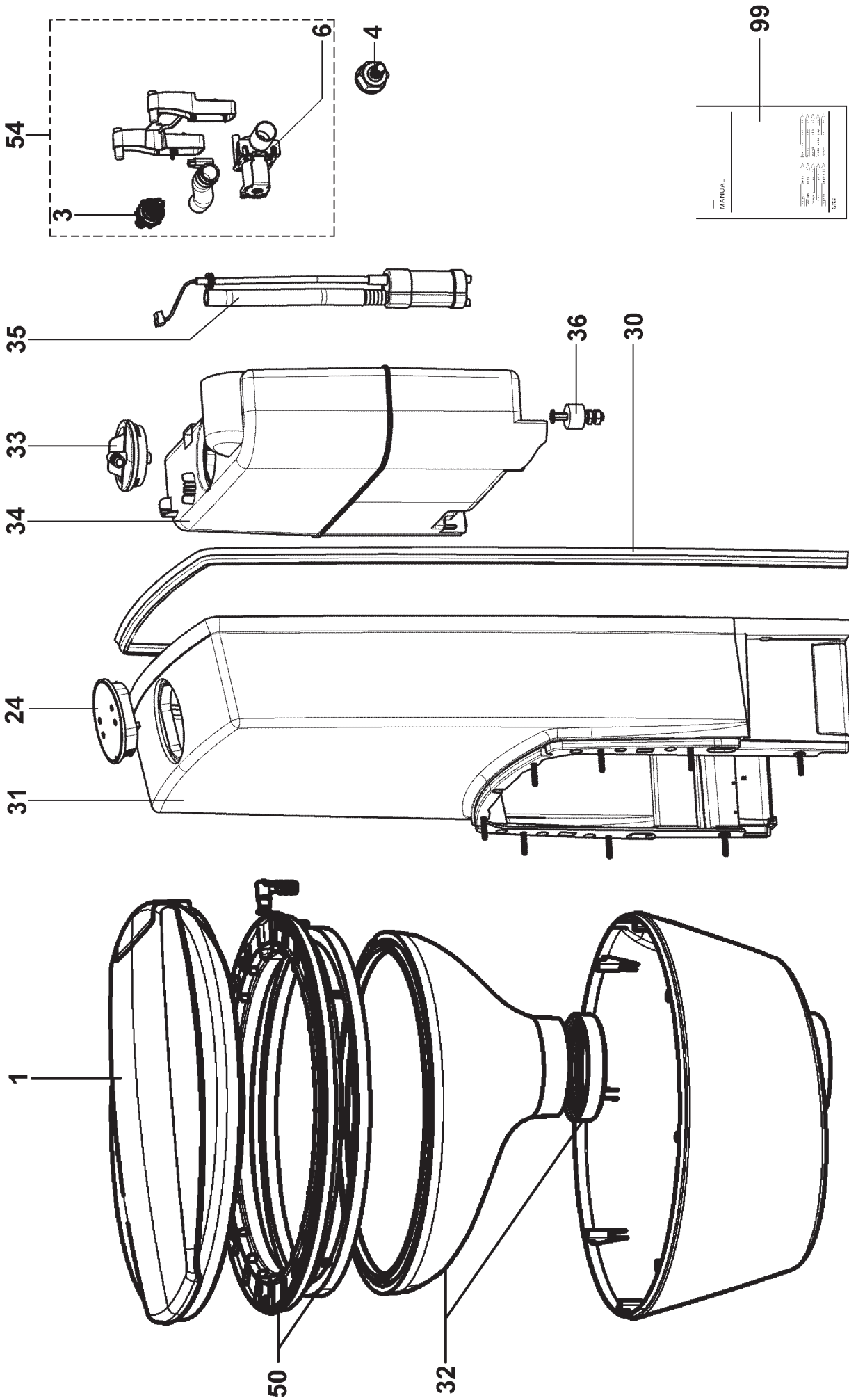
Out pump rate	7 l/min
---------------	---------

Vacuum pump

Switch on point	750 mbar
Switch off point	650 mbar
Pump running time	60 sec.

Box

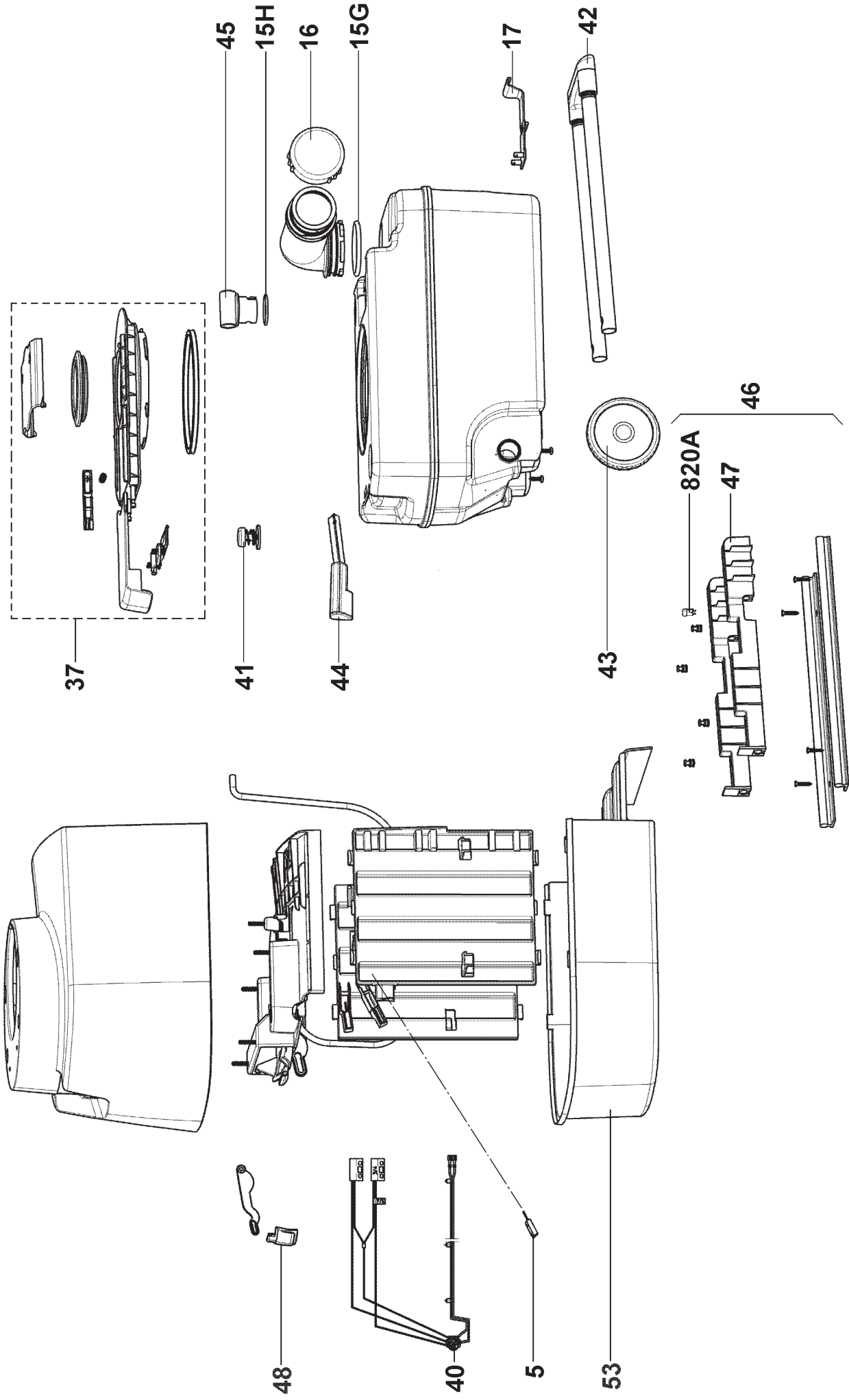
Capacity	19 l
----------	------



Nur die im Text aufgeführten Ersatzteile sind tatsächlich im Produkt!
 Only the spare parts which are listed are really in the product!

Matrix	PNC	ELC	ProdDate	Model
A	921000507	00	20071128	CTLP3050
B	921000509	00	20080519	CTS3110
C	921000510	00	20080519	CTW3110
D	921000511	00	20080519	CTS3110
E	921000512	00	20080519	CTLP3110
F	921000513	00	20080826	CT3110
G	921000514	00	20080826	CT3110

Pos	Part No.	Matrix	Description
001	2426011199	A B C D E F G	Cover, complete
003	2426011025	A B - D E F G	Non return valve, complete
004	2426011652	A B - D E - -	Sleeve hose, corner, 12 mm
004	2426003014	- - - - - F -	Sleeve hose, with, sealant, 1/2" = 12mm
004	2426012734	- - - - - G	Sleeve hose, corner, D=12mm
006	2426010498	A B - D E F G	Magnetic valve
024	2426011876	A B C D E F G	Controls, complete
030	2426011405	A - - - E - -	Rubber gasket, wall bracket, L=1313mm
030	2426011397	- B C D - - -	Rubber gasket, wall bracket, L=1639mm
030	2426011413	- - - - - F G	Rubber gasket, wall bracket, L=704mm
031	2426011173	A - - - E - -	Wall bracket, white, 500mm
031	2426010134	- B C D - - -	Wall bracket, 110mm
032	2426010001	A B C D E - -	Tray, white
032	2426013070	- - - - - F G	Tray, complete, sealant
033	2426011355	- - C - - - -	Cover, tank, complete
034	2426011058	- - C - - - -	Tank
035	2426011439	- - C - - - -	Pump, with, connection wiring, 12V
036	2426010795	- - C - - - -	Reed, sensor
050	2426012940	A B C D E F G	Retainer, tray, sealant
054	2426013104	A B - D E F G	Valve, complete, horizontal
099	2426011132	A B C D E F G	User manual, CT3000, DE/EN
099	2426011645	A B C D E F G	User manual, installation, CT3000



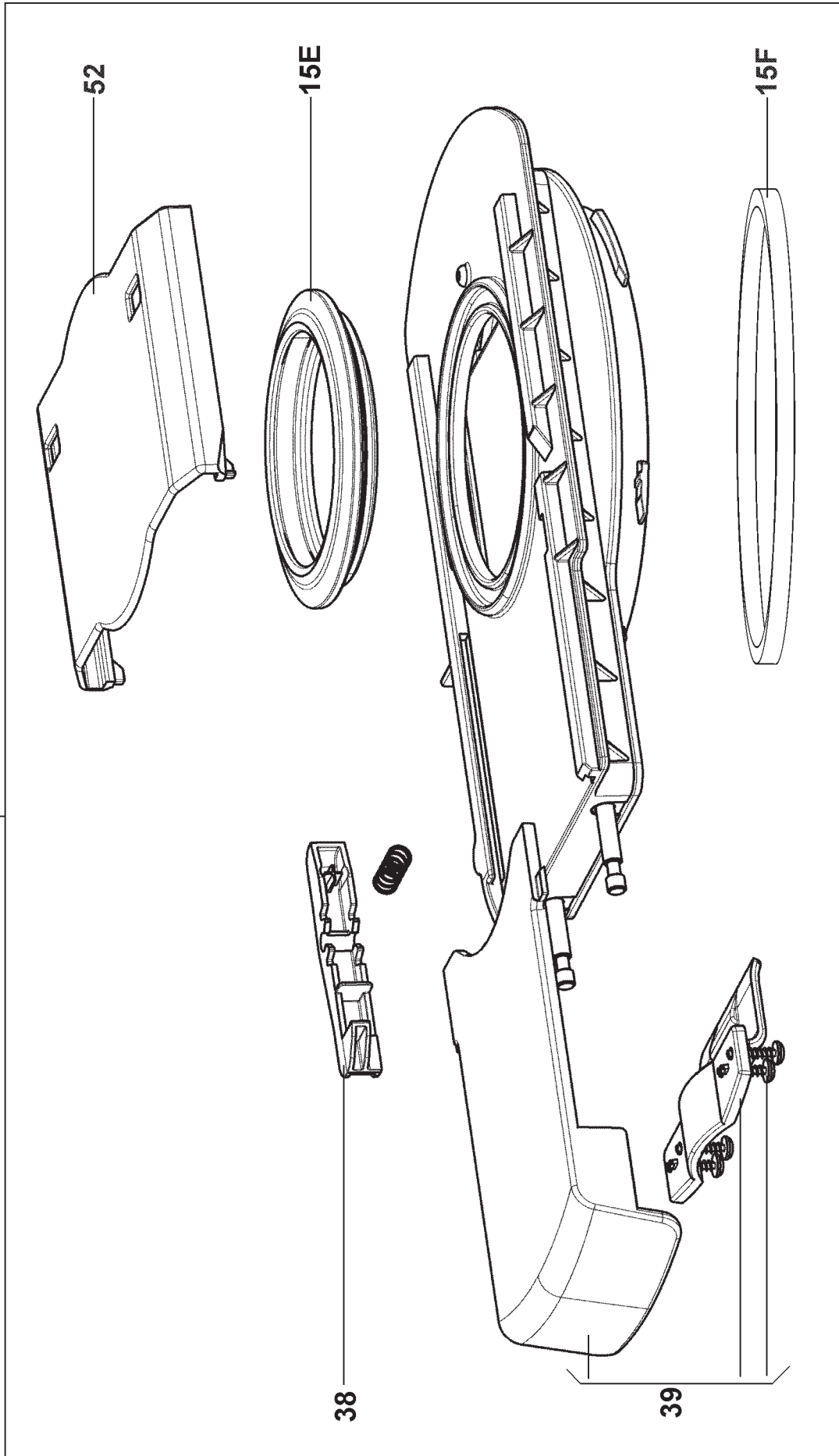
Nur die im Text aufgeführten Ersatzteile sind tatsächlich im Produkt!
 Only the spare parts which are listed are really in the product!

(N0CT3000T)

Matrix	PNC	ELC	ProdDate	Model
A	921000507	00	20071128	CTLP3050
B	921000509	00	20080519	CTS3110
C	921000510	00	20080519	CTW3110
D	921000511	00	20080519	CTS3110
E	921000512	00	20080519	CTLP3110
F	921000513	00	20080826	CT3110
G	921000514	00	20080826	CT3110

Pos	Part No.	Matrix	Description
005	2426001760	A B C D E F G	Microswitch
015G	2426010282	A B C D E F G	O-ring,discharge pipe,black
015H	2426012593	A B C D E F G	O-ring,adaptor
016	2426010266	A B C D E F G	Locking cap,discharge pipe
017	2426010472	A B C D E F G	Retainer,cassette
037	2426010720	A B C D E F G	Slider,complete
041	2426011801	A B C D E F G	Button,ventilation,complete
042	2426010456	A B C D E F G	Grip,cassette
043	2426010415	A B C D E F G	Wheel,cassette
044	2426011348	A B C D E F G	Float,complete
045	2426011470	A B C D E F G	Adaptor,ventilation
046	2426011785	- B C D - - -	Retrofit kit,rails,toilet,CT(L)P 3110
047	2426012338	- B C D - - -	Guide,rails,toilet
048	2426010175	A B C D E F G	Flap door,slider
053	2426010670	A - - - - -	Support,lower part,50 mm
053	2426010126	- B C D E F G	Support,lower part,110 mm
820A	2951766316	- B C D - - -	Slider,air vent grid,white

37



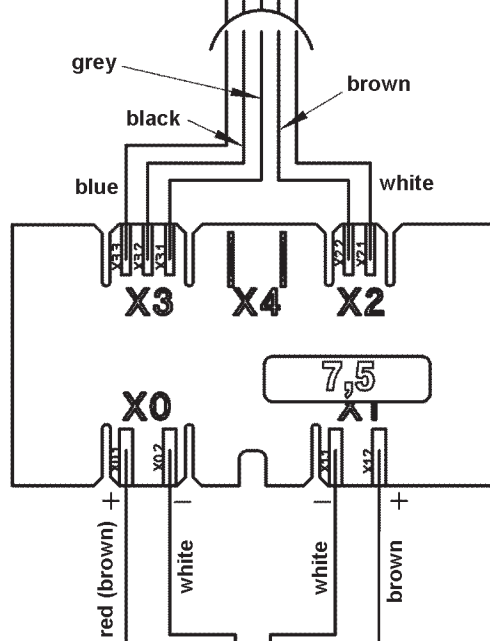
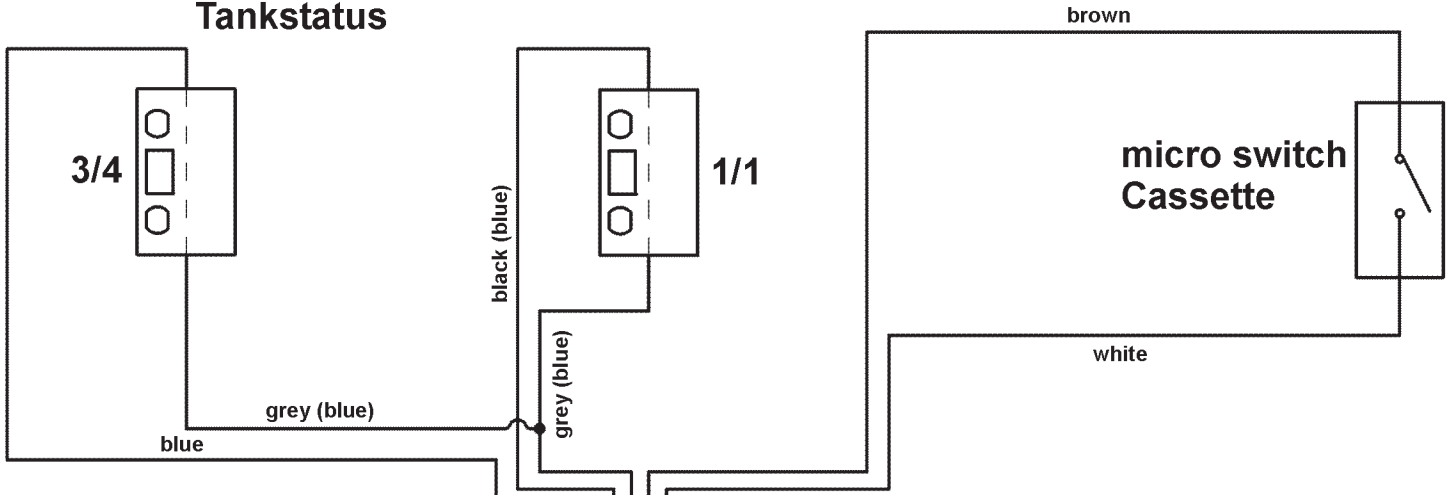
Nur die im Text aufgeführten Ersatzteile sind tatsächlich im Produkt!
Only the spare parts which are listed are really in the product!

(N0CT3000S)

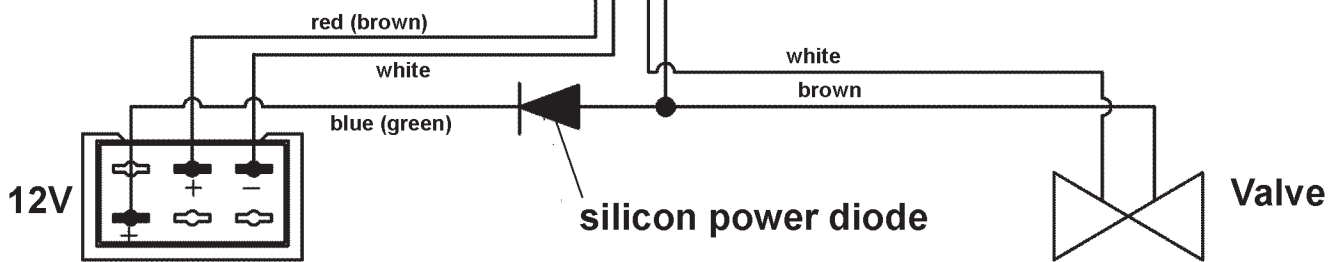
Matrix	PNC	ELC	ProdDate	Model
A	921000507	00	20071128	CTLP3050
B	921000509	00	20080519	CTS3110
C	921000510	00	20080519	CTW3110
D	921000511	00	20080519	CTS3110
E	921000512	00	20080519	CTLP3110
F	921000513	00	20080826	CT3110
G	921000514	00	20080826	CT3110

Pos	Part No.	Matrix	Description
015E	2426010365	A B C D E F G	Seal,intake,black
015F	2426010522	A B C D E - -	Seal,cassette,black
015F	2426012965	- - - - - F G	Sealant,cassette,black
037	2426010720	A B C D E F G	Slider,complete
038	2426010555	A B C D E - -	Lock,slider
038	2426013062	- - - - - F G	Lock,slider
039	2426011553	A B C D E F G	Grip,complete,slider
052	2426011611	A B C D E F G	Cover,intake

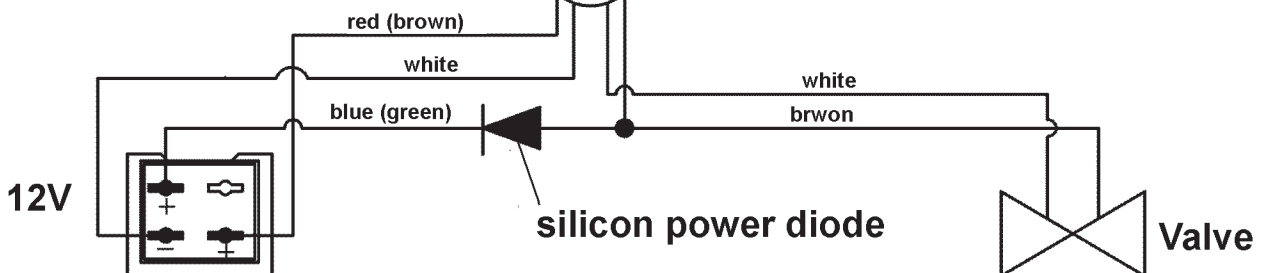
**Reedswitch
Tankstatus**



6 point plug



4 point plug



N242601150

Blau
Braun
Grau
Rot
Schalter
Schwarz
Ventil
Weiss

Blue
Brown
Grey
Red
Switch
Black
Valve
White